

# PRODUCT DATA SHEET



## PRODUCT CODE

MPNI5070BZ

## RANGE

Mirror

## DESCRIPTION

MPRO Non-Illuminated Mirror 500 x 700mm Brushed Bronze

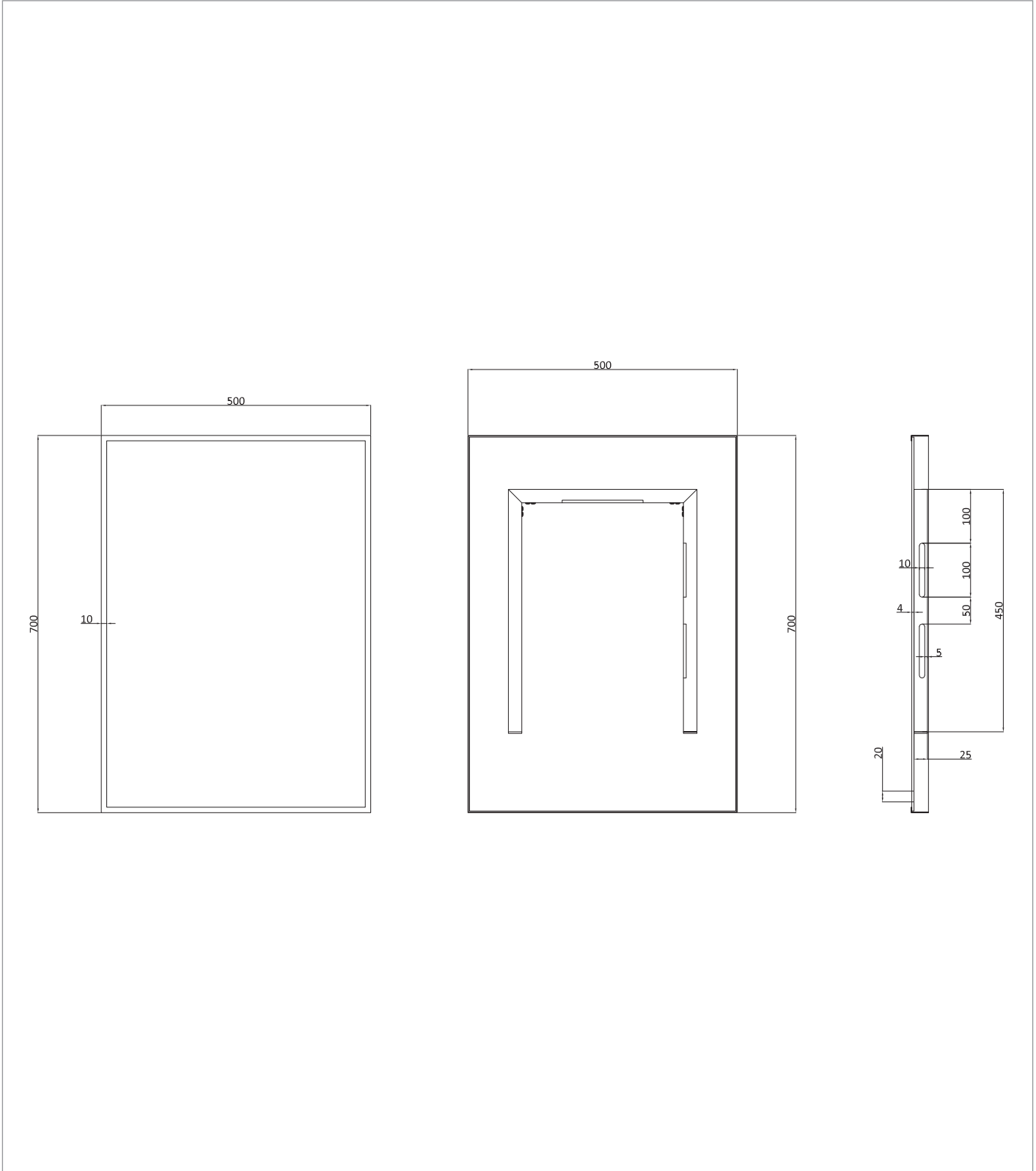
CATEGORY	Cabinets & Mirrors
WARRANTY DETAILS	5 Years
COLOUR	Brushed Bronze
PRIMARY MATERIAL	Glass
SECONDARY MATERIAL	304 Stainless Steel
INSTALL TYPE	Wall Mounted
PRODUCT WIDTH MM	500
PRODUCT HEIGHT MM	700
PRODUCT DEPTH MM	32
PRODUCT NET WEIGHT KG	6.32

CHARGING SOCKET (MA)	No
SHAVER SOCKET INCLUDED	No
CABLE LENGTH (MM)	0
DIMMABLE	No

## TECHNICAL DIMENSIONS

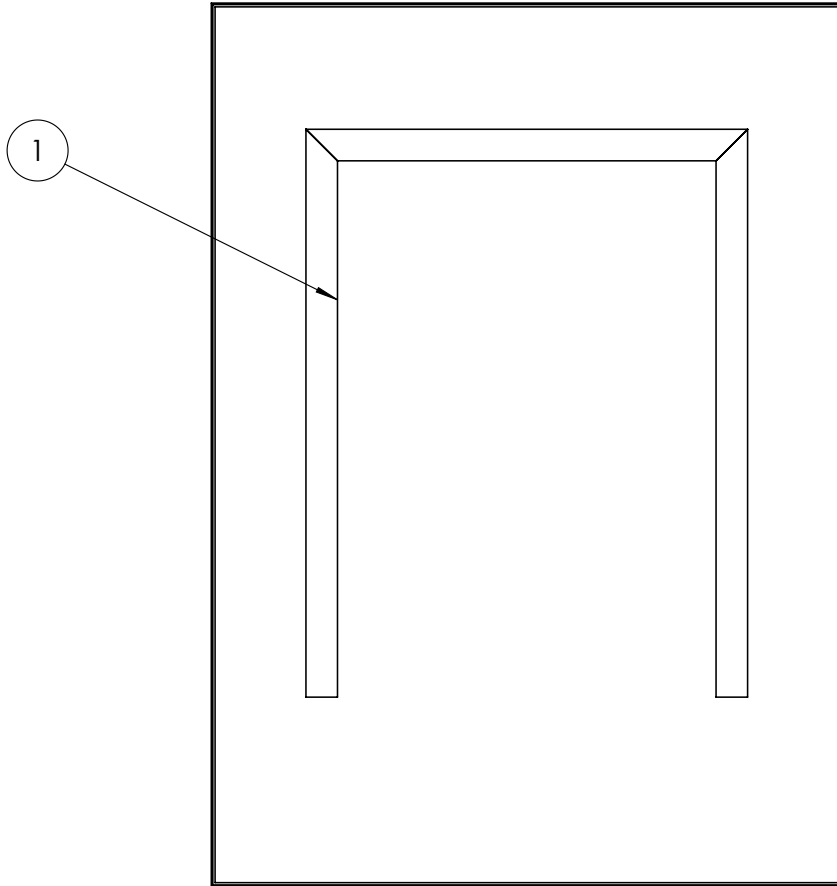
Dimensions in mm unless otherwise specified.

Tolerances (per material type) apply.



## SPARES LIST

Only the parts labelled are available as spares.



NUMBER	PART CODE	DESCRIPTION
1	MIRRORFIX	Fix Screw Pack Keyhole Mirror Fix