

PRODUCT DATA SHEET



PRODUCT CODE

MPNI7090BZ

RANGE

Mirror

DESCRIPTION

MPRO Non-Illuminated Mirror 700 x 900mm Brushed Bronze

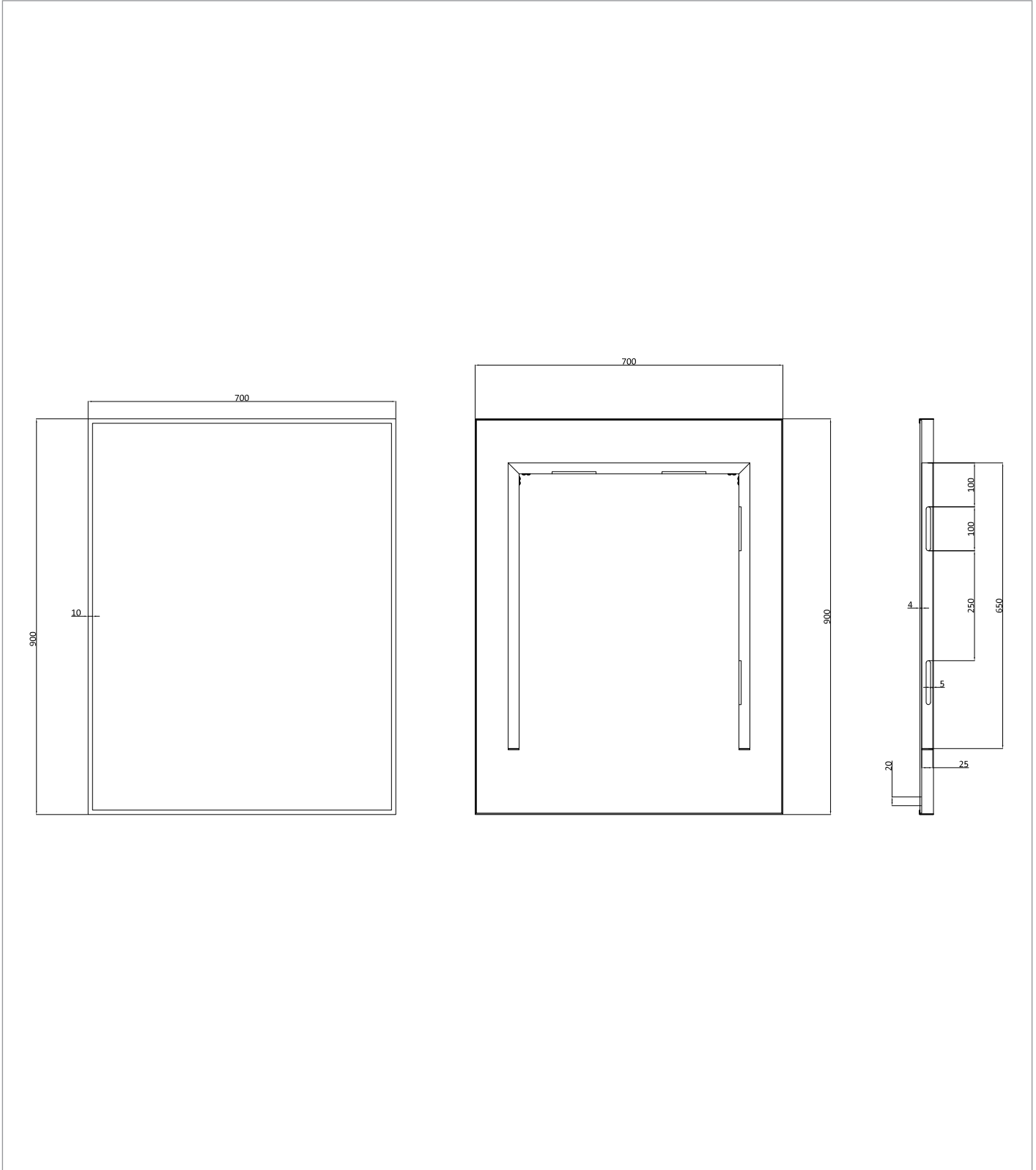
CATEGORY	Cabinets & Mirrors
WARRANTY DETAILS	5 Years
COLOUR	Brushed Bronze
PRIMARY MATERIAL	Glass
SECONDARY MATERIAL	304 Stainless Steel
INSTALL TYPE	Wall Mounted
PRODUCT WIDTH MM	700
PRODUCT HEIGHT MM	900
PRODUCT DEPTH MM	32
PRODUCT NET WEIGHT KG	7.8

CHARGING SOCKET (MA)	No
SHAVER SOCKET INCLUDED	No
CABLE LENGTH (MM)	0
DIMMABLE	No

TECHNICAL DIMENSIONS

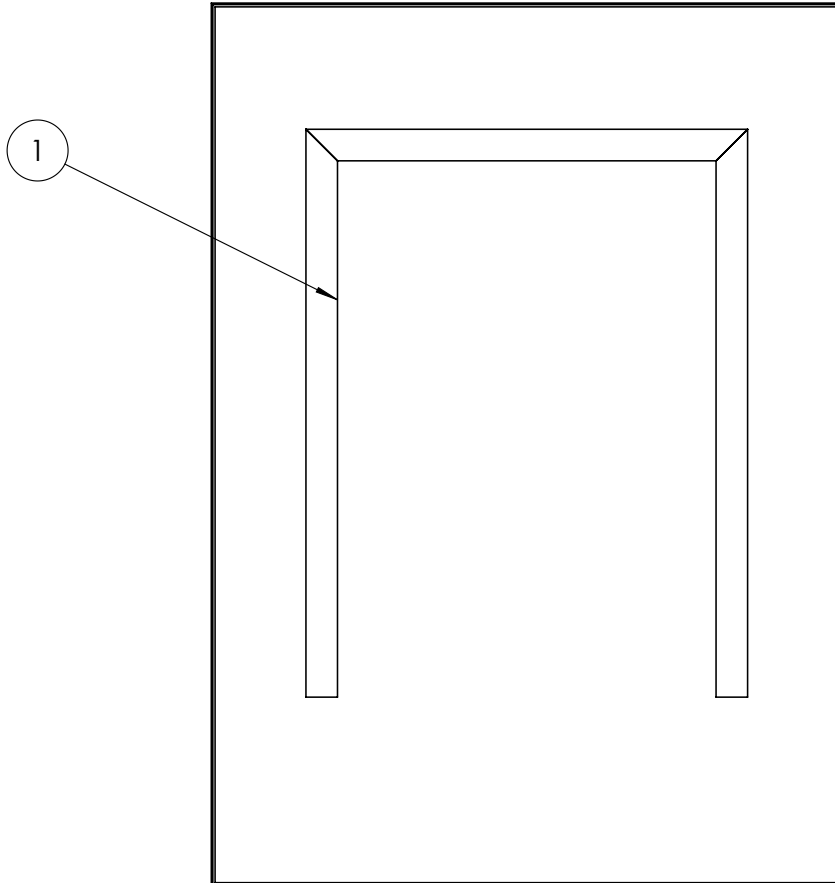
Dimensions in mm unless otherwise specified.

Tolerances (per material type) apply.



SPARES LIST

Only the parts labelled are available as spares.



NUMBER	PART CODE	DESCRIPTION
1	MIRRORFIX	Fix Screw Pack Keyhole Mirror Fix