

# INSET & UNDERMOUNT SINK INSTALLATION GUIDE

## IMPORTANT INFORMATION, PLEASE READ PRIOR TO STARTING THE INSTALLATION OF YOUR SINK

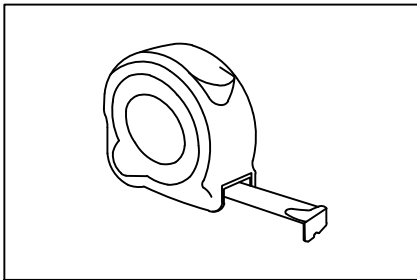
Please carefully read through these guidelines before fitting your ceramic sink. Please ensure the fitting of your sink by a professional fitter. Before starting to fit your sink please check that your sink can be fitted directly into the correct sink cabinet, ensure pipework and connections for both taps and waste kits can be installed correctly, in certain circumstances adaptations to the kitchen cupboard may need to be made to enable for the sink, tap and pipework to be installed correctly. Please ensure that appliances (such as dishwashers, fridges, washing machines, tumble dryers etc.) can be installed correctly if located under the drainer of your sink or adjacent cabinet prior to undertaking the planned installation of your sink.

**WARNING** The sink is very heavy and extremely fragile when removed from the box and during installation and should be lifted and installed by two competent people. (Cut-outs in materials such as granite, marble and solid surfaces should be carried out by a qualified trades person).

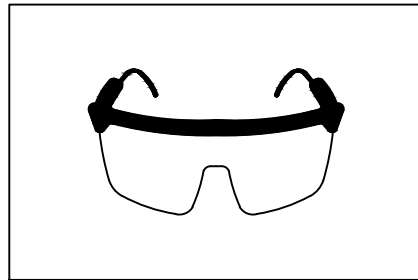
- Ensure that the sink is supported correctly and evenly to avoid uneven stress or damage.
- Depending on the unique installation of your sink it may be appropriate to offer and install the overflow of your sink to the sink prior to full installation within the work surface.
- Measure and mark the cut-out of your sink, we recommend that porous surface materials (such as laminate and wood worktops) once cut are sealed with a reputable sealer to protect them against damage by moisture. Apply clear high-quality waterproof mastic to both the underside area of your sink and around the cut-out area of your work surface. Carefully position your sink into the cut-out ensuring that your sink is aligned correctly, and that excess sealant is removed from both the sink and the surrounding area of worktop. Allow the sealant to fully cure prior to making final connections and using your sink.

**Please ensure you do NOT over-tighten any fittings as this may cause the surface of your ceramic sink to crack**

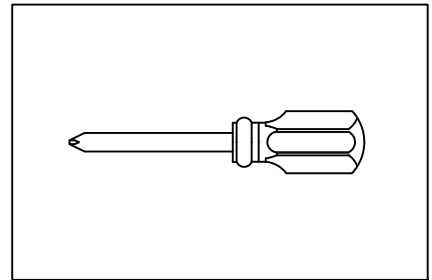
## RECOMMENDED TOOLS & MATERIALS



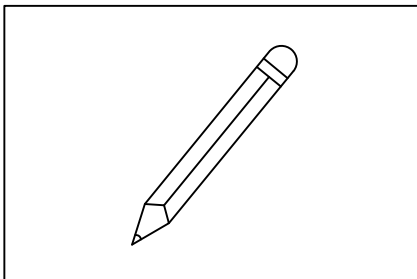
TAPE MEASURE



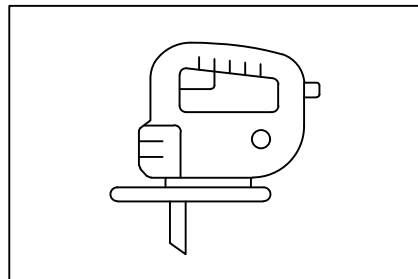
SAFETY GOGGLES



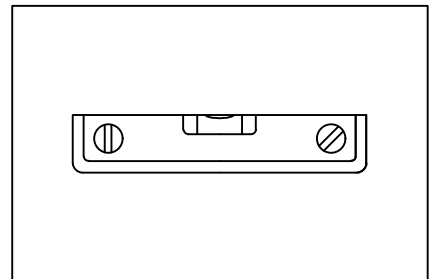
SCREWDRIVER



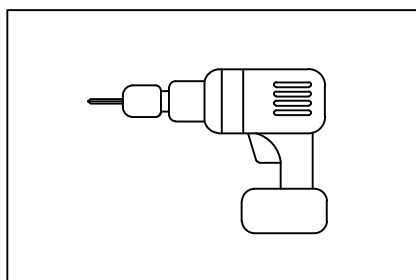
PENCIL



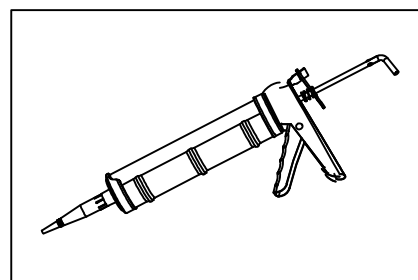
JIGSAW



SPIRIT LEVEL



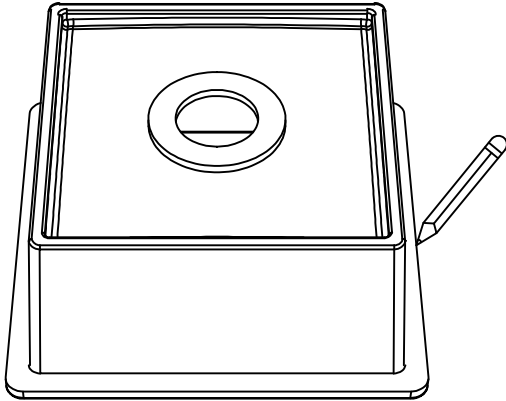
DRILL



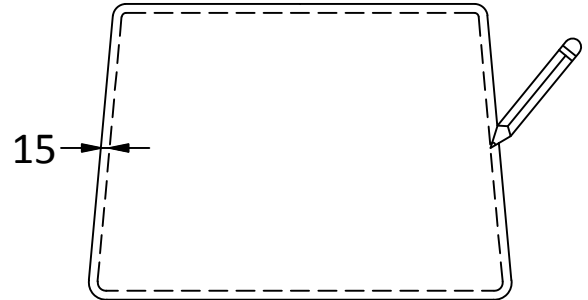
SILICONE ADHESIVE

# INSET SINKS

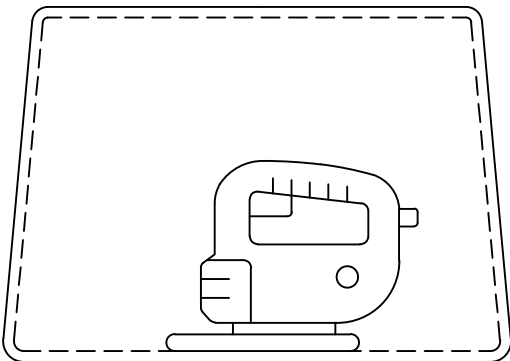
Place the sink upside down on the countertop. With a pencil, trace around the outer edges.



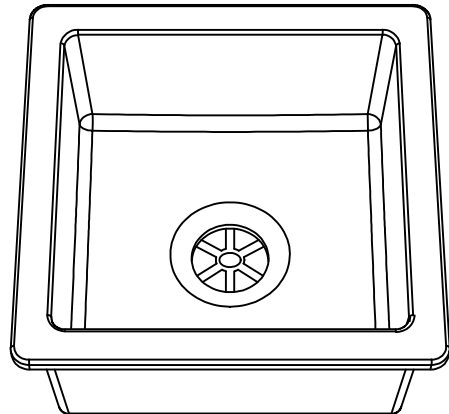
Draw a second line 15mm inside the marked line.



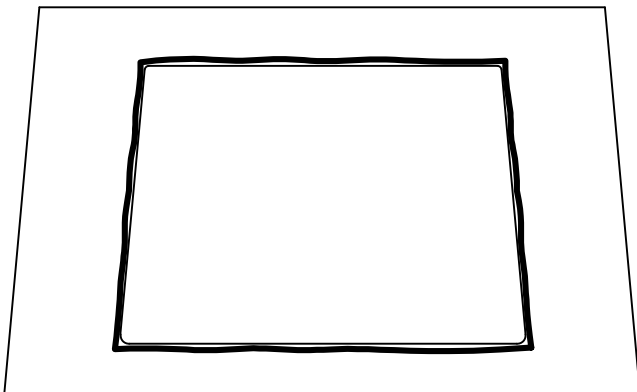
Cut-out the countertop with a jigsaw along the inside line.



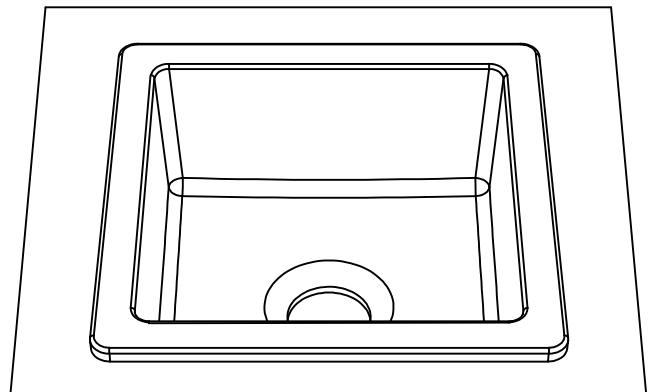
Install the waste, using silicone between the top flange and the sink.



Apply silicone around the edge of the countertop.

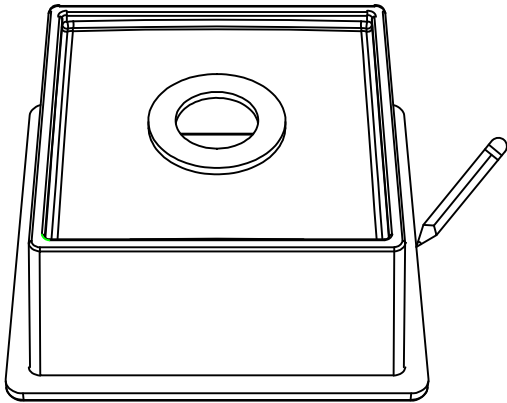


Place sink into the countertop, wipe away any excess silicone and leave to cure for 24 hours before use.

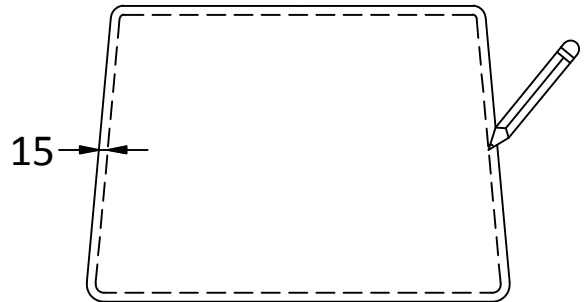


# UNDERMOUNTED SINKS

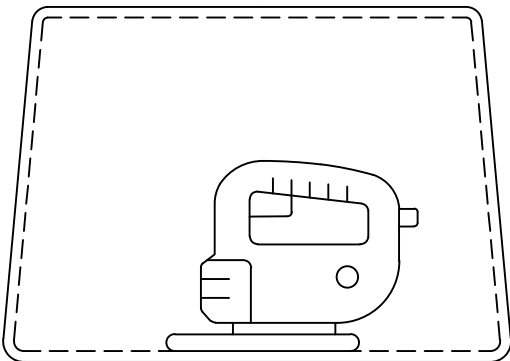
Place the sink upside down on the countertop. With a pencil, trace around the outer edges.



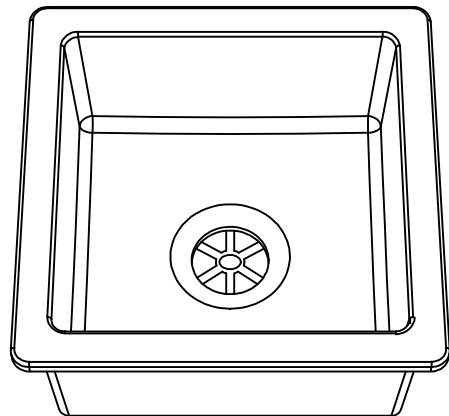
Draw a second line 15mm inside the marked line.



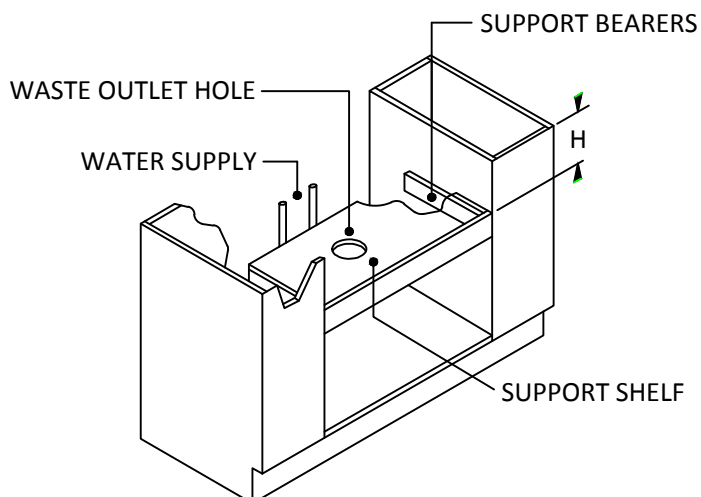
Cut-out the countertop with a jigsaw along the inside line.



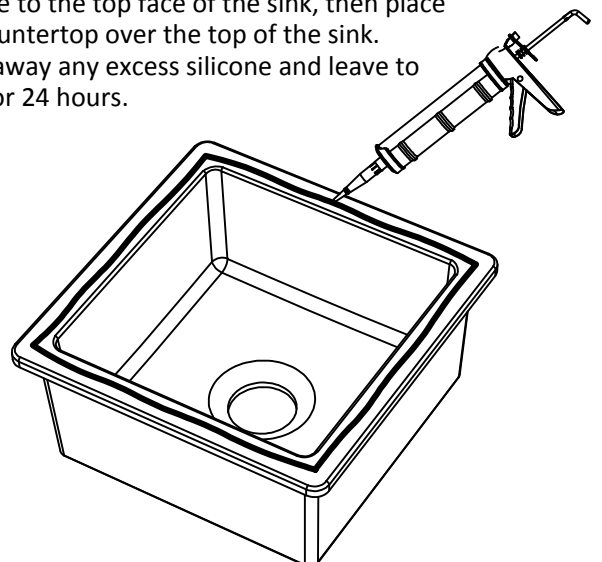
Install the waste, using silicone between the top flange and the sink.



Measure the overall height of the sink (H) and install a shelf and support bearers the same distance down on the inside of the cabinet. Place the sink on the shelf.



Apply some approved flexible watertight silicone to the top face of the sink, then place the countertop over the top of the sink. Wipe away any excess silicone and leave to cure for 24 hours.



# CERAMIC CARE & CLEANING GUIDE

Ceramic is one of the most hygienic and easiest-to-clean surfaces available. We recommend the following guidelines in order to prolong the life and look of your ceramic sink.

## Everyday Maintenance

To maintain the appearance of this product, wipe your ceramic sink with a moist cloth and apply some mild vinegar-based nonabrasive cleaner for a simple and effective cleaning solution. It is also good practice to rinse and dry the sink with a soft cloth to avoid limescale forming upon your sink.

A fast and easy way to remove water marks, grease or soap scum deposits is with a proprietary bathroom cleaner such as Flash liquid spray, or similar products found in your supermarket. Alternatively, an overnight soak using diluted biological washing powder should remove the marks easily, always remember to thoroughly rinse your sink afterwards.

## Weekly Maintenance

To keep your glazed surface sparkling, apply a dilute solution of bleach every 2 to 3 days. Apply with a sponge or a soft kitchen cloth and rinse the surface thoroughly with plenty of water. Avoid prolonged contact of the bleach solution with wastes, overflows and plastic pipes, the bleach solution can damage the finish of these surfaces if not fully rinsed away.

## Limescale Build-up

Limescale build-up in hard water areas can become a problem over time. Tried and tested cleaning products such as household vinegar or vinegar solution/lemon juice (3 part hot water to 1 part vinegar/lemon juice) can be used to remove limescale deposits. For stubborn stains, cover with a piece of paper kitchen towel soaked in vinegar and leave to stand overnight. Alternatively, use a cleaner such as 'Limelight' which can be found in most supermarkets or online. Always finish off by rinsing your sink thoroughly with clean water to remove any residue, and then dry it with a soft cloth to prevent any limescale build-up. Limescale can be strongly coloured by foods such as curry sauces, red wines, and coffee, so prevention of limescale can avoid this staining problem.

## Stubborn Marks

Marks caused by iron or aluminium saucepans on the ceramic surface that regular cleaning will not remove can be removed by a product called 'Astonish - Oven & Cookware Cleaner' paste, which can be obtained from most supermarkets or online. Alternatively, "china rubber" used together with washing up liquid can be a useful tool for removing stubborn marks.

## Things to Avoid

- Abrasive cleaners should not be used as they will dull the gloss finish of your sink.
- You should be very careful with all substances containing fluoride, such as rust removers and toothpaste. Make sure deposits are removed immediately as they can cause stains if left for any length of time.
- Avoid dropping heavy-based pan, knives, or other kitchen utensils onto or into your sink, especially vulnerable areas such as the rim edge, as this could result in chips or cracks to either the bowl or surface of your sink.
- Don't leave wet cleaning aids on the sink (such as cloths, pads, or containers). As the water evaporates, a mineral or limescale deposit is left behind on the surface.
- Never prepare or chop food directly onto your sink's surfaces. A wooden chopping board is recommended for this purpose.
- Avoid placing hot pans on the surface of the sink. Your sink can withstand very high temperatures of up to 250°C. Hot pans straight from the hob or oven often exceed this temperature however and could mark or cause crazing to the glaze.
- If diluted bleach is necessary to clean the overflow or waste outlet, squirt into the hole, leave for 2-3 minutes only, then rinse thoroughly with clean water. Don't leave neat bleach in direct contact with the surfaces for longer than a few minutes as this can cause damage to the stainless steel pipework along the surfaces of your sink.
- Avoid metal objects coming into contact with the sink surface, instead use protective plastic bowls, wire grid cutlery holders, or drainers with a non-abrasive pad.

Never pour strong chemicals directly down the sink to dispose of bleach, ammonia, caustic soda, white spirit, or sterilizing solution. This can cause problems to not only the surface of your sink but also waste fittings, overflows, and pipework. Should your sink come into contact with any of these substances please rinse your sinks and flush pipework immediately.