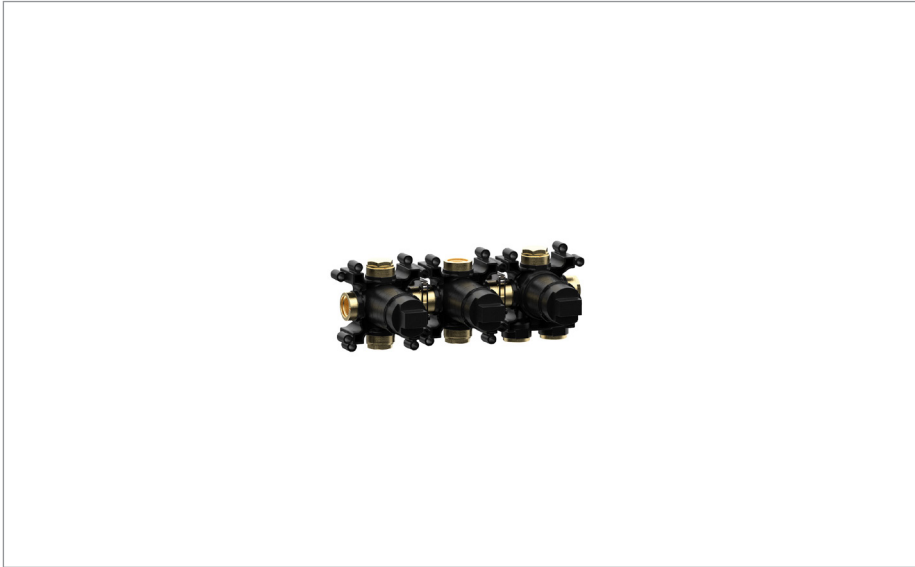


# PRODUCT DATA SHEET



## PRODUCT CODE

MODPUSH2000R

## RANGE

Module

## DESCRIPTION

Module MPRO Push 2 Outlet Rough

WEBSITE LINK [Click Here](#)

CATEGORY	Brassware
WARRANTY DETAILS	15 Years
PRIMARY MATERIAL	Brass
SECONDARY MATERIAL	Plastic
INSTALL TYPE	Wall Mounted
PRODUCT WIDTH MM	327
PRODUCT HEIGHT MM	119
PRODUCT DEPTH MM	97
PRODUCT NET WEIGHT KG	2.7
MINIMUM PRESSURE (BAR)	1
MAX WORKING PRESSURE (BAR)	5

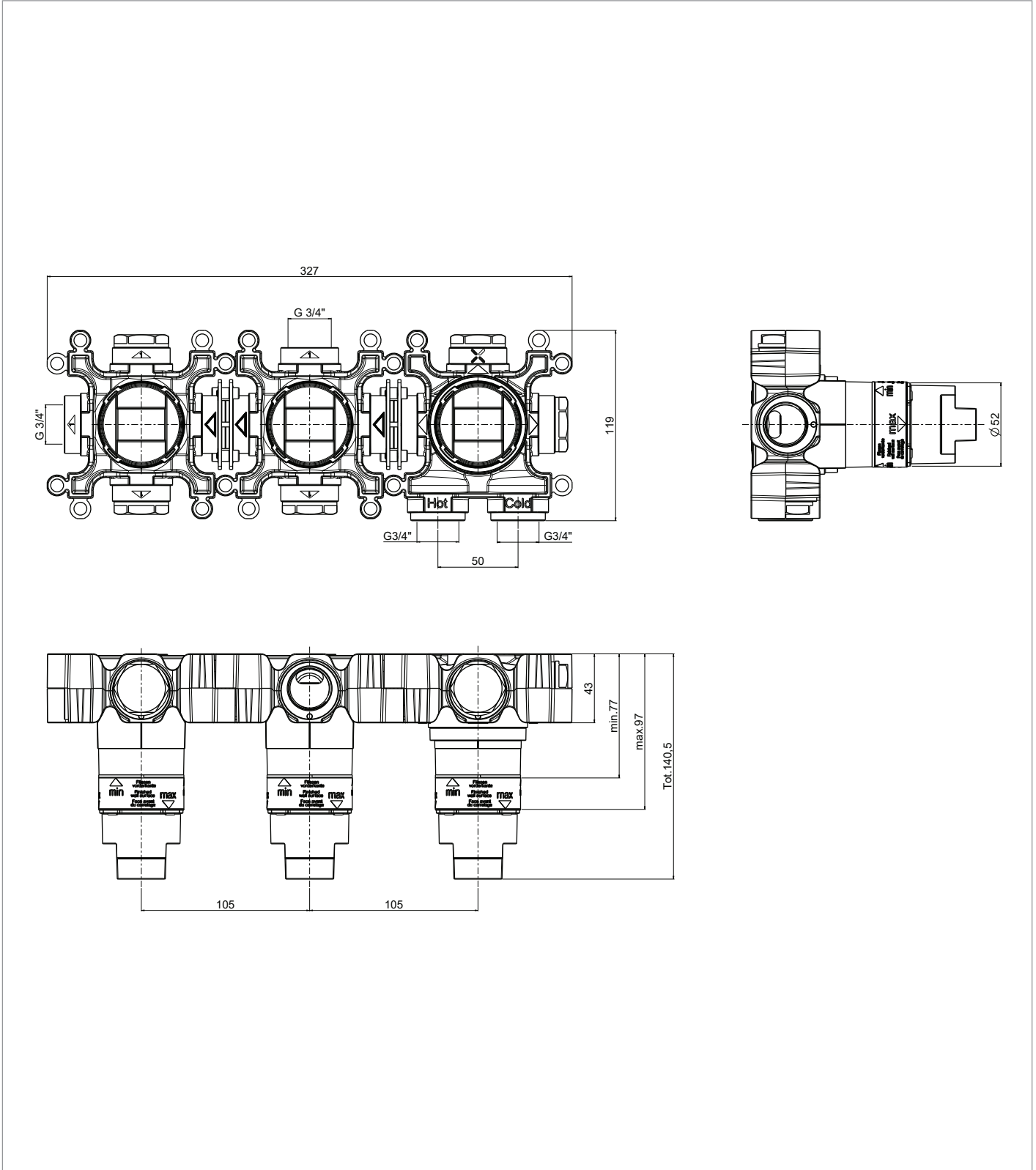
STANDARDS	NO
NUMBER OF OUTLETS	2
NUMBER OF FUNCTIONS	2
HEADWORK	Neoperl FSG VC
SWIVEL SPOUT	No
INLET CONNECTIONS THREAD	G3/4"
OUTLET CONNECTIONS THREAD	G3/4"
WASTE INCLUDED	No
ANTI-SCALD	Yes
ENERGY SAVING	No
SHOWER HOSE & HANDSET ARE INCLUDED	No

PRESSURE (BAR)	0.2	0.5	1	2	3	4	5
PRIMARY FLOWRATE			12.2	17.6	21.7	25	28
HANDSET FLOWRATE							
MASSAGE FLOW RATE							
AIR FLOW RATE							
WIRE FLOW RATE							
WATERFALL FLOW RATE							
MIST FLOW RATE							
HANDSPRAY FLOW RATE							

## TECHNICAL DIMENSIONS

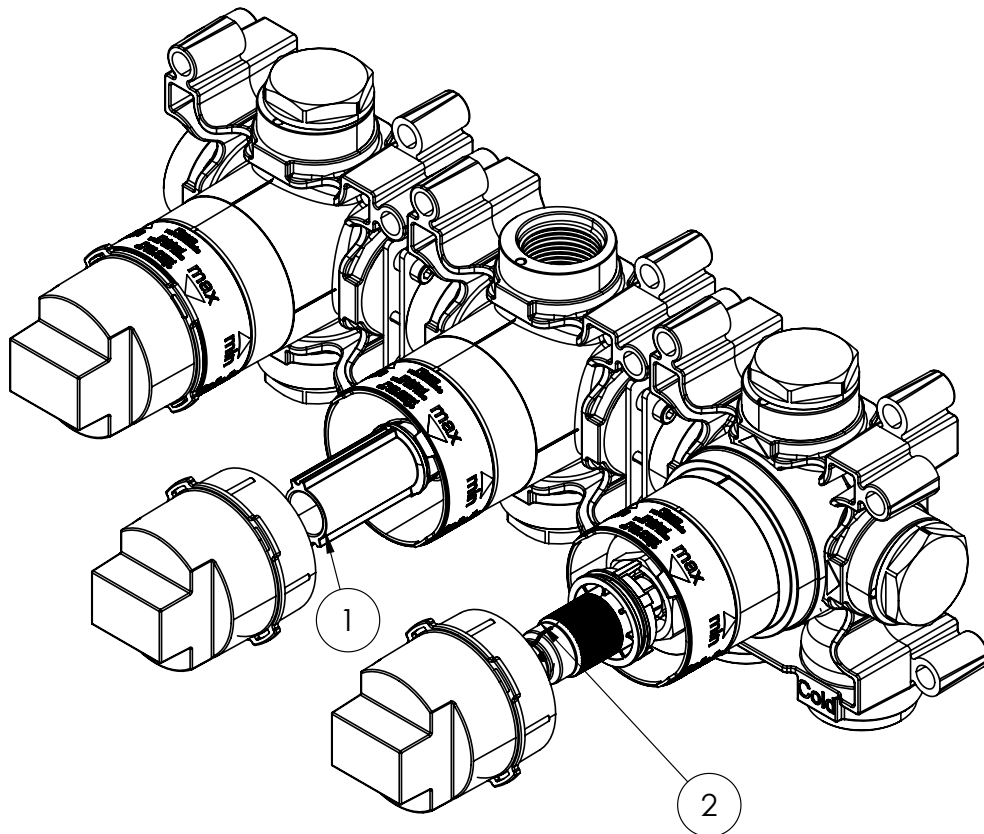
Dimensions in mm unless otherwise specified.

Tolerances (per material type) apply.



## SPARES LIST

Only the parts labelled are available as spares.



NUMBER	PART CODE	DESCRIPTION
1	R177006000HESC	On/off Cartridge
2	E250031000HESC	Module Thermo Cart With NRV