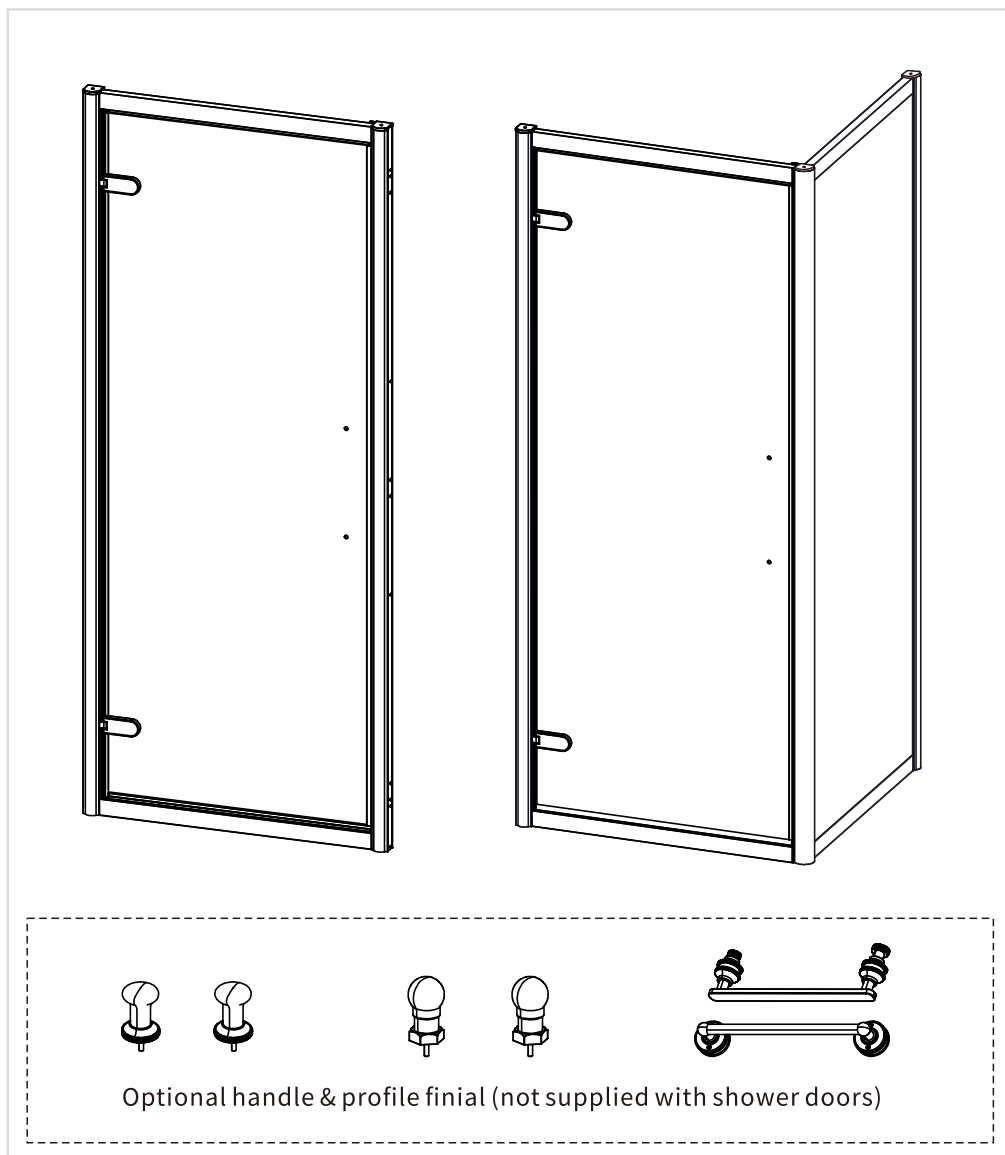


CLASSIQUE

HINGED DOOR & SIDE PANEL



Optional handle & profile finial (not supplied with shower doors)

PRODUCT CODES:

CQHDSC0800
 CQHDSC0900
 CQHDSC1000
 CQHDGC0800
 CQHDGC0900
 CQHDGC1000
 CQHDL0800
 CQHDL0900
 CQHDL1000

CQSPSC0800
 CQSPSC0900
 CQSPGC0800
 CQSPGC0900
 CQSPLC0800
 CQSPLC0900

CQ1909HDFNC
 CQ1909HDFNG
 CQ1909HDFNL
 CQ1909PRFNC
 CQ1909PRFNG
 CQ1909PRFNL
 CQ1850HDFNC
 CQ1850HDFNG
 CQ1850HDFNL
 CQ1850PRFNC
 CQ1850PRFNG
 CQ1850PRFNL



IMPORTANT INFORMATION

Please read carefully and keep this information for further reference.

BEFORE STARTING THE INSTALLATION ENSURE ALL THE DOOR SIZE MEASUREMENTS CORRESPOND WITH THE INSTALLATION AREA INCLUDING THE FINISHED TILED/PANELLED WALLS. RETURNS DUE TO INCORRECT SIZING WILL NOT BE ACCEPTED.

Check the contents of the pack carefully before installation. Burlington will not be held responsible for any de-fit / re-fit costs where faulty product has been fitted. If any fault is found with materials or workmanship, it must be reported immediately to the manufacturer. Remedial action will be taken, based on information received, on condition that:

1.Full details are supplied to the manufacturer;

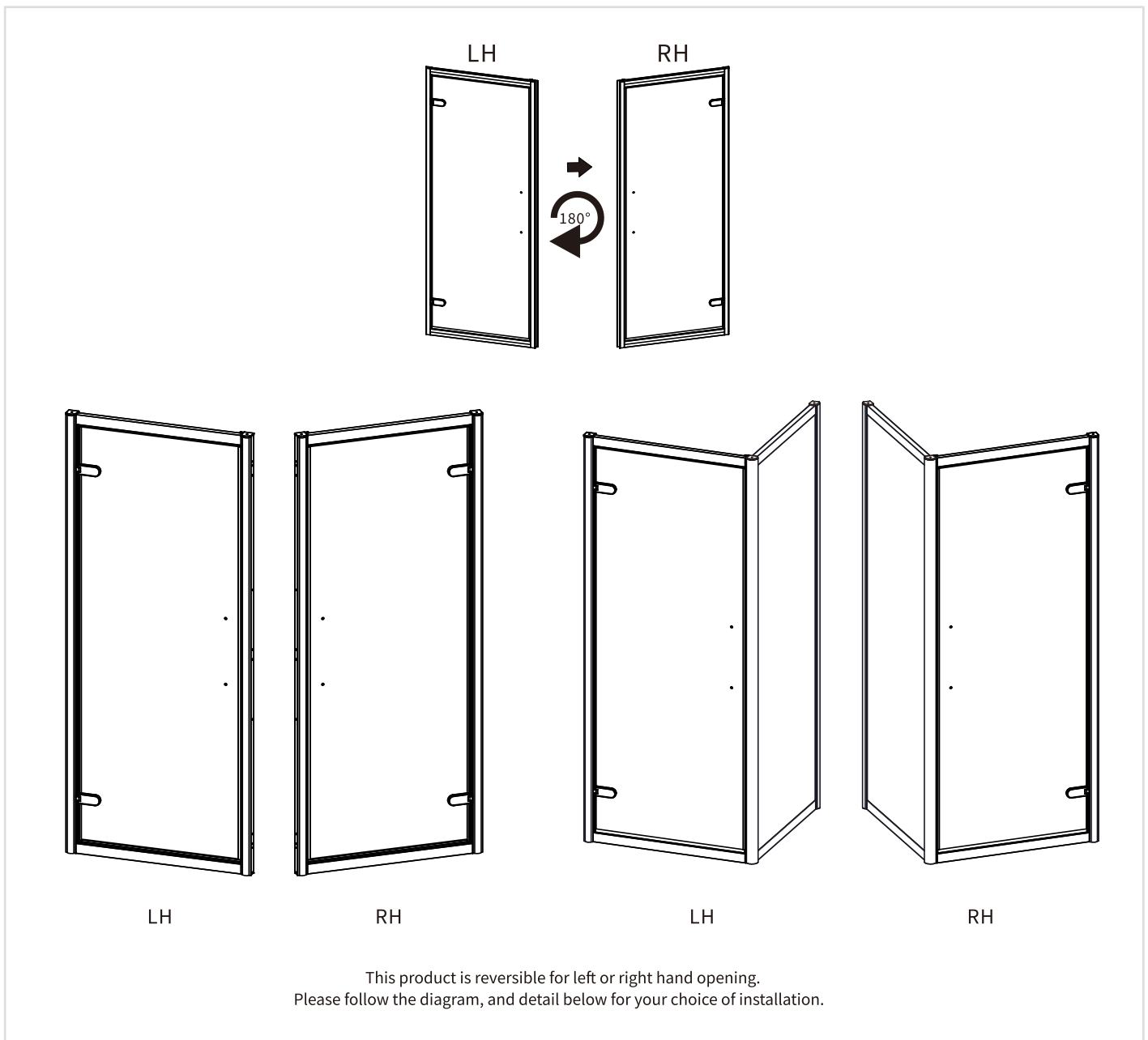
2.The enclosure has not been modified or tampered with;

3.The manufacturer is informed of any damage/shortages prior to installation.

VERY IMPORTANT

You must complete all tiling and grouting, and the shower tray **MUST** be level and fully sealed to the tiles before installation. If you do not fit the enclosure onto a tiled surface, or seal the tiles to the tray before installation, water may soak into the wall behind the wall profiles.

ORIENTATION



IMPORTANT INFORMATION

Please read carefully and keep this information for further reference.

The installation instructions are based on typical use and conditions. All doors are designed to open outwards only. These hints have been prepared for your guidance, you must exercise due care at all times. For Health and Safety 2 people must carry out the installation of this shower enclosure. Handle glass with care. Although the glass supplied is toughened safety glass (EN12150), impacts can damage both the glass and the frame.

BEFORE YOU START

Warning!










Please check for any hidden pipes or cables before drilling holes in the wall.

When using power tools always follow the manufacturers user instructions.

If the Framework is sealed to the tray on the inside, any water that may get into the framework will not be able to drain back into the tray, this may cause the enclosure to leak.

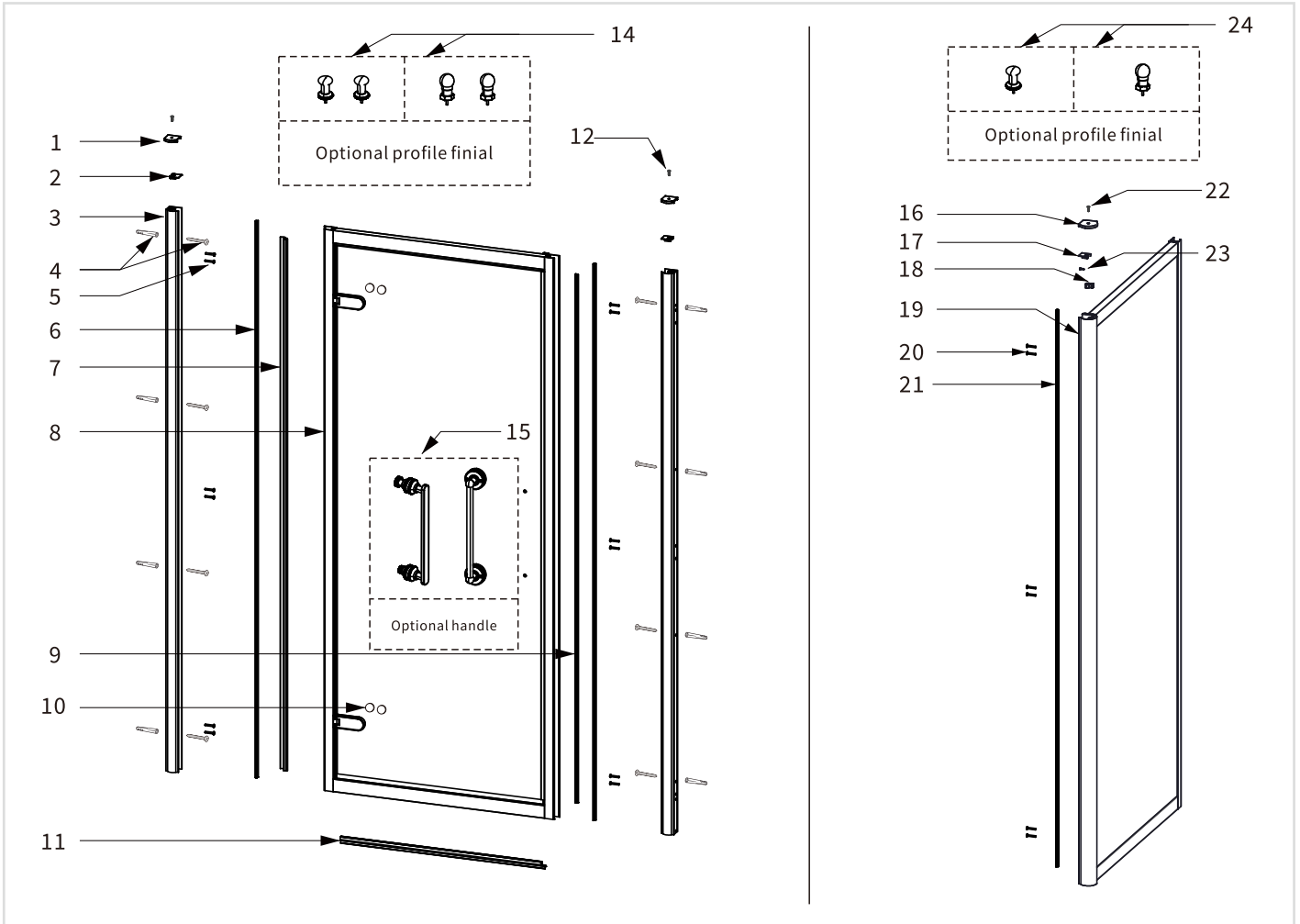
Leave the silicone sealant to dry for 24 hours before using the enclosure.

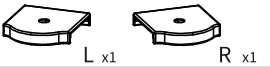

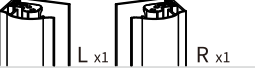
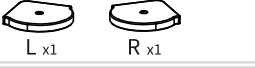











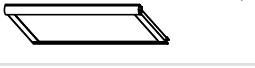








Tools Required (not supplied):

| | | | |
|--------------|---|---------------------|---|
| Spirit Level |  | Torque Screw Driver |  |
| Pencil |  | Snips |  |
| Drill |  | 6mm Drill Bit |  |
| Silicone |  | Measuring Tape |  |
| Knife |  | | |

COMPONENTS

Burlington®



| | | | | | | | |
|-----------|---|-----------|---|-----------|--|-----------|--|
| 1 |  Wall profile cap L x1 R x1 | 2 |  Adjustment profile cap x2 | 3 |  Wall profile L x1 R x1 | 16 |  Wall profile cap L x1 R x1 |
| 4 |  Wall Plug and 4x30mm Screw x8 | 5 |  M5*30 Screw x12 | 6 |  Profile Cover x2 | 17 |  Adjustment profile cap x1 |
| 7 |  Vertical Door Seal x1 | 8 |  Door x1 | 9 |  Magnetic Seal x1 | 18 |  Fixing part of profile cap x1 |
| 10 |  Hinge cap x4 | 11 |  Bottom Seal x1 | 12 |  M5*14 Screw x2 | 19 |  Side panel x1 |
| 13 |  Ball Head Allen Key 3mm x1 4mm x1 | 14 |  Optional profile finial x2 | 15 |  Optional handle x1 | 20 |  M5*30 Screw x6 |
| | | | | | | 21 |  Profile Cover x1 |
| | | | | | | 22 |  M5*14 Screw x1 |
| | | | | | | 23 |  ST4*12 Screw x1 |
| | | | | | | 24 |  Optional profile finial x1 |

INSTALLATION

1

INSIDE

OUTSIDE

TOP

| Product | X(mm) |
|-------------------|---------|
| 800mm Hinge Door | 750-790 |
| 900mm Hinge Door | 850-890 |
| 1000mm Hinge Door | 950-990 |

2

∅ 6x

x4

x4

∅ 6x4

x4

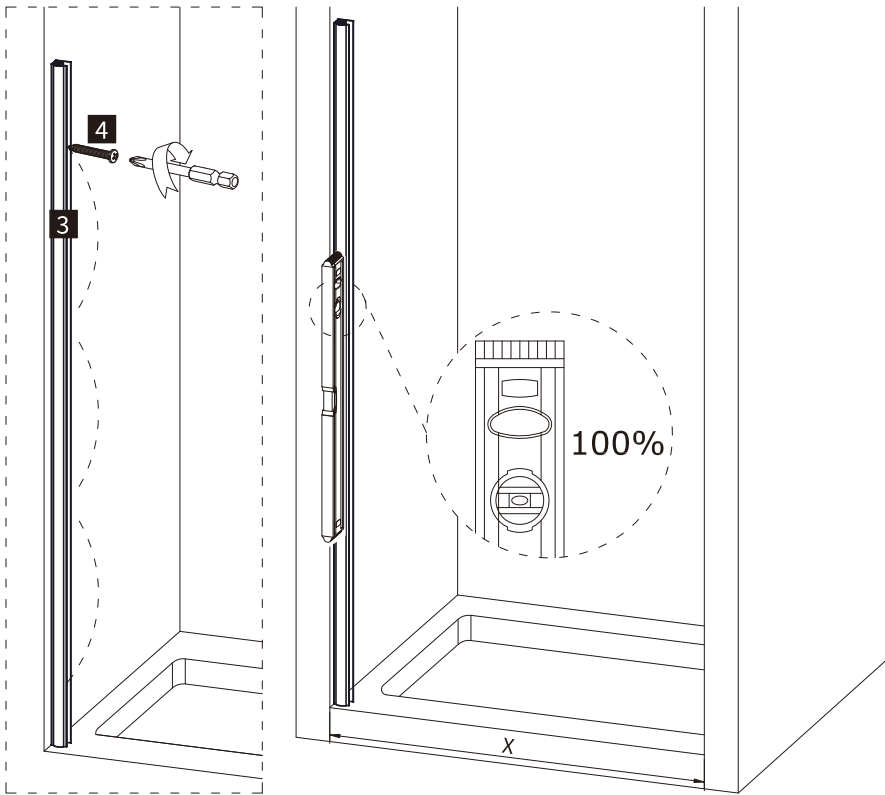
x4

4

4

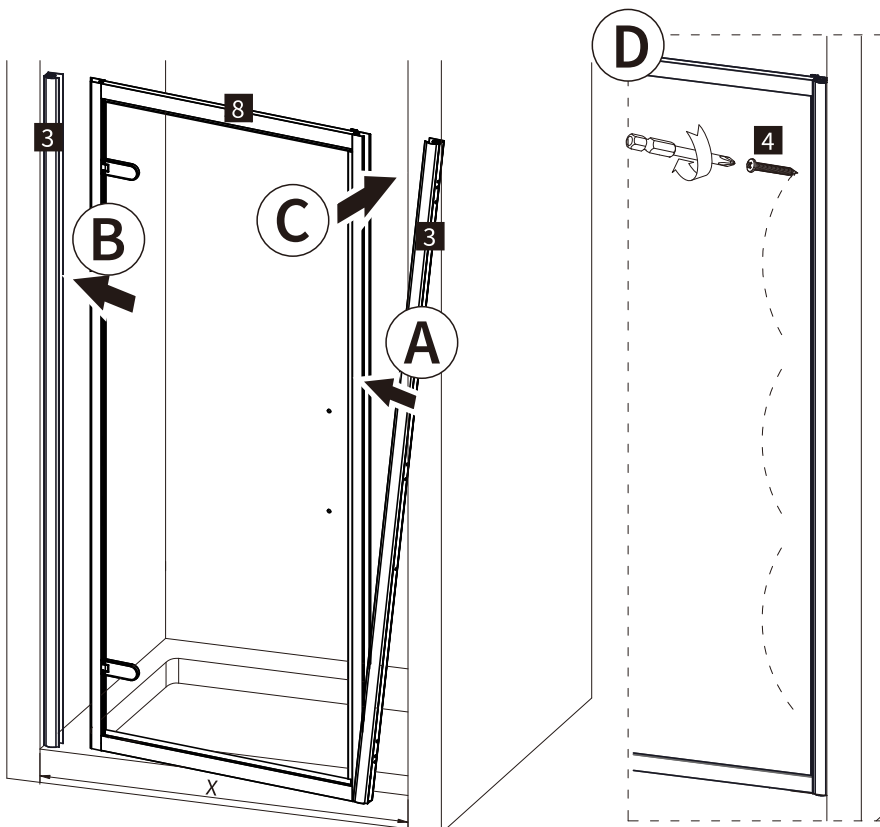
INSTALLATION

3

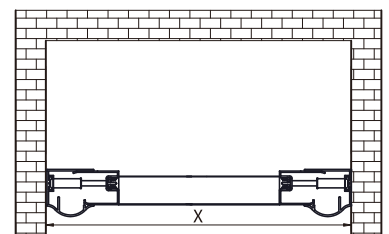


| Product | X(mm) |
|-------------------|---------|
| 800mm Hinge Door | 750-790 |
| 900mm Hinge Door | 850-890 |
| 1000mm Hinge Door | 950-990 |

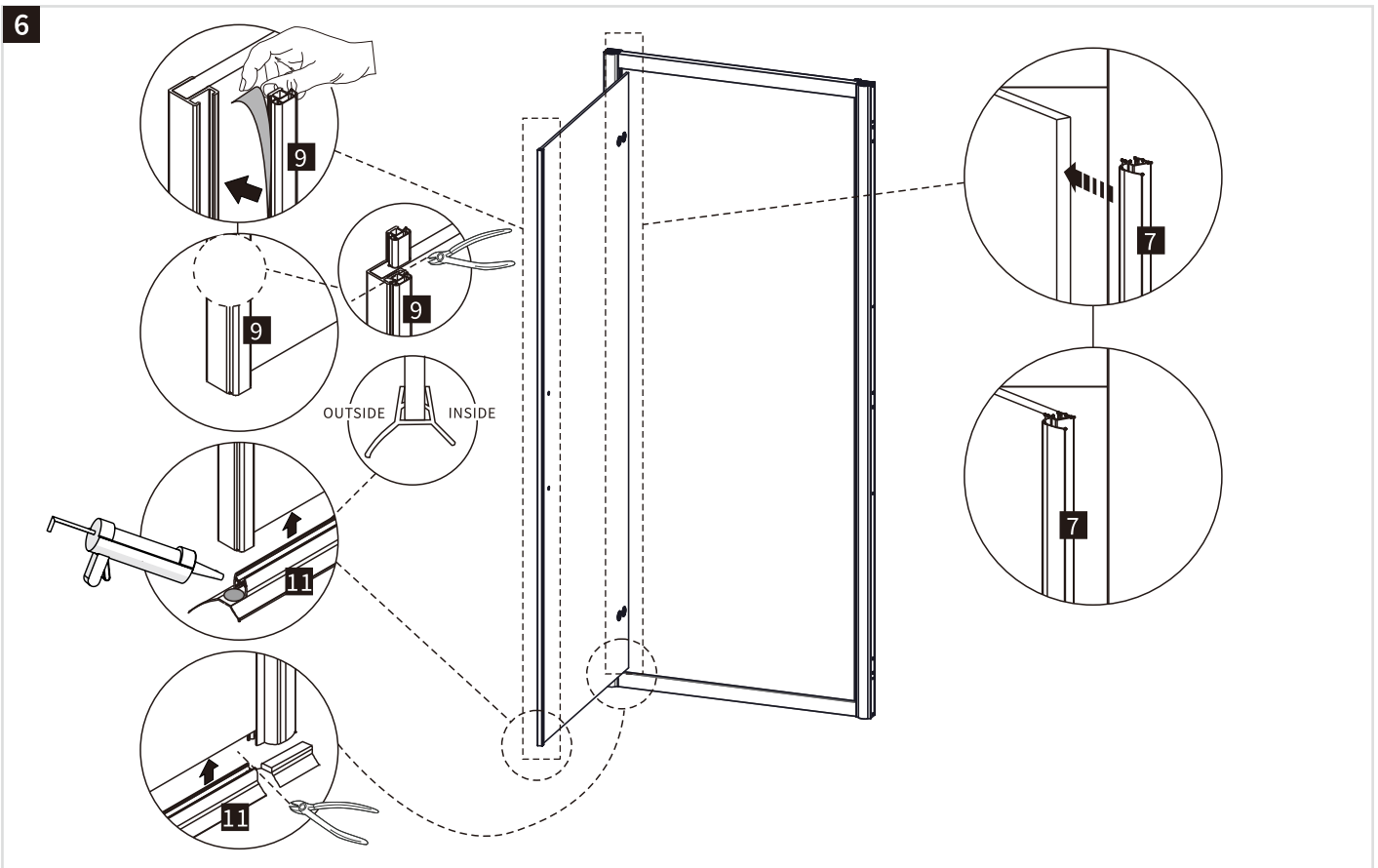
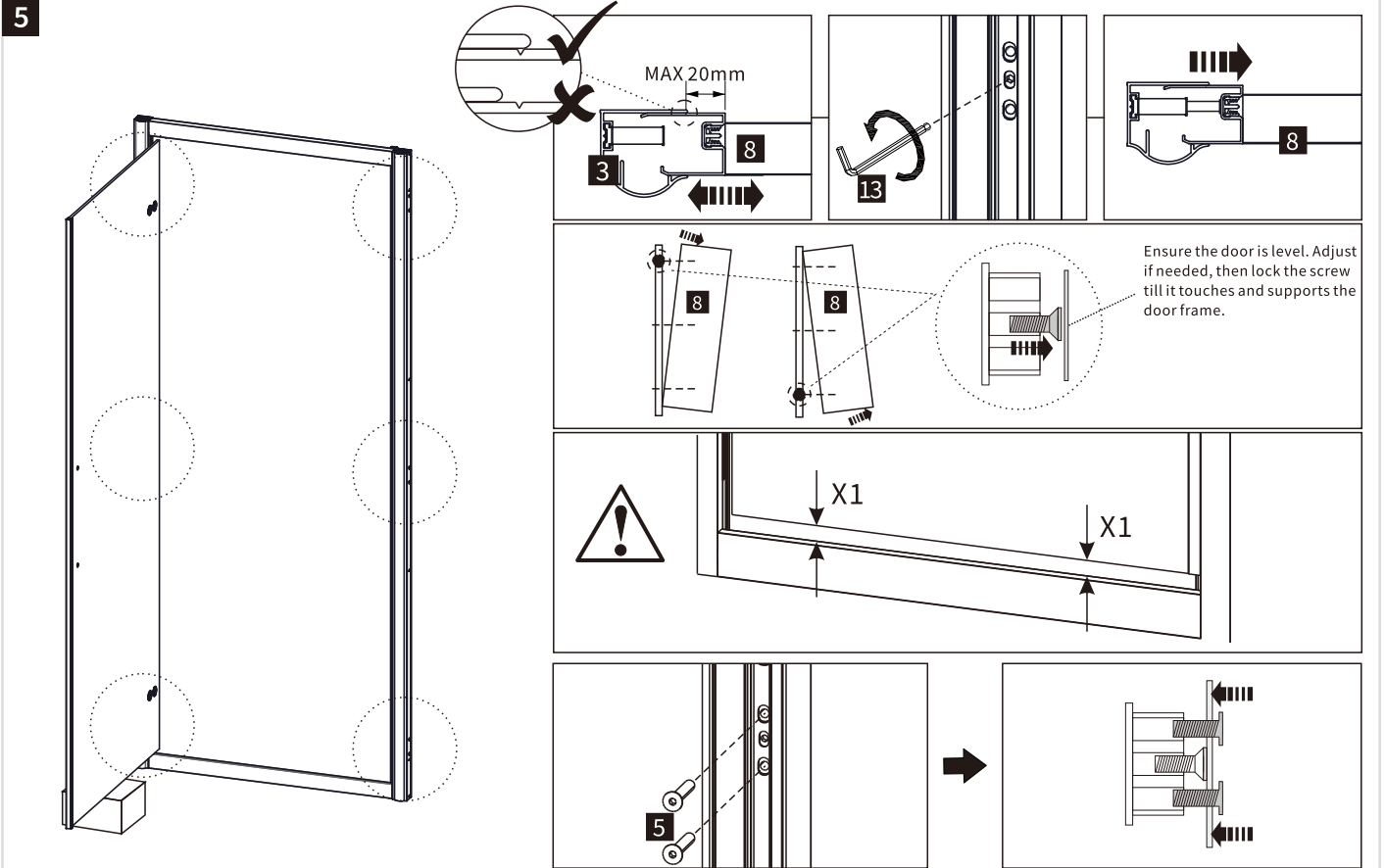
4



| Product | X(mm) |
|-------------------|---------|
| 800mm Hinge Door | 750-790 |
| 900mm Hinge Door | 850-890 |
| 1000mm Hinge Door | 950-990 |

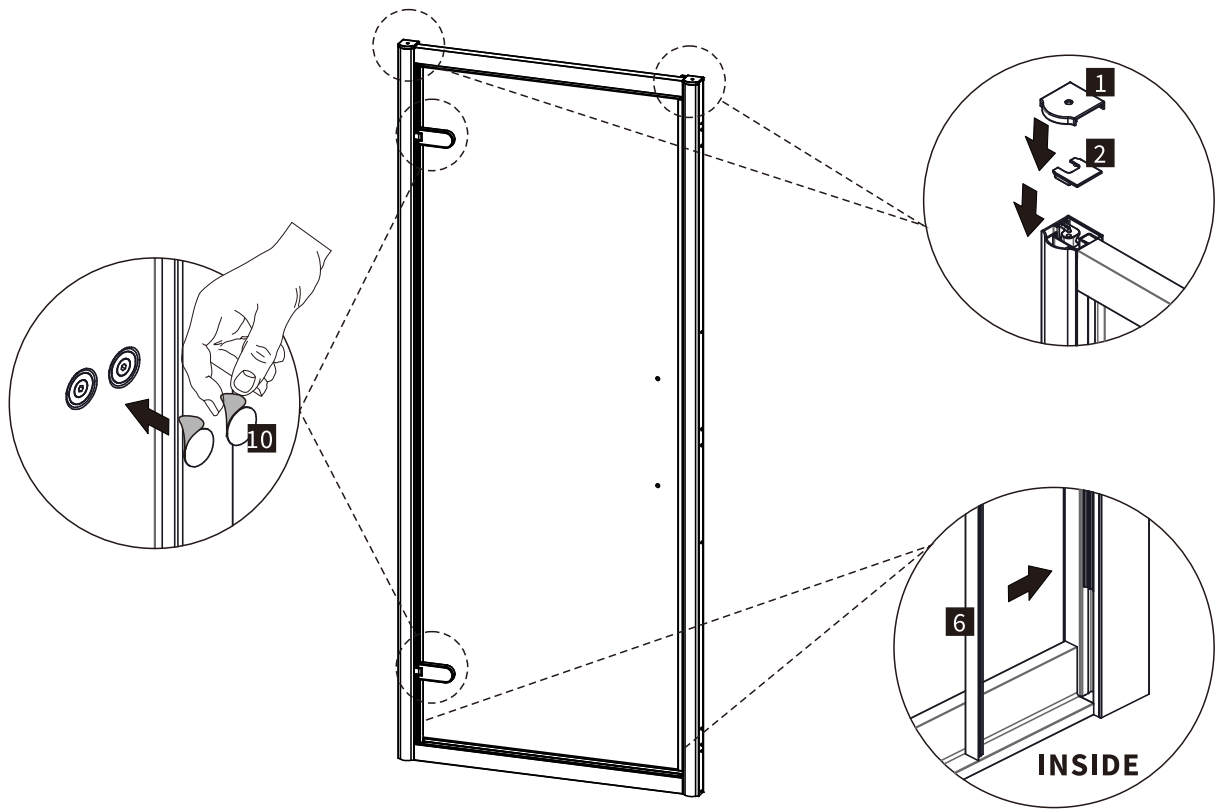


INSTALLATION

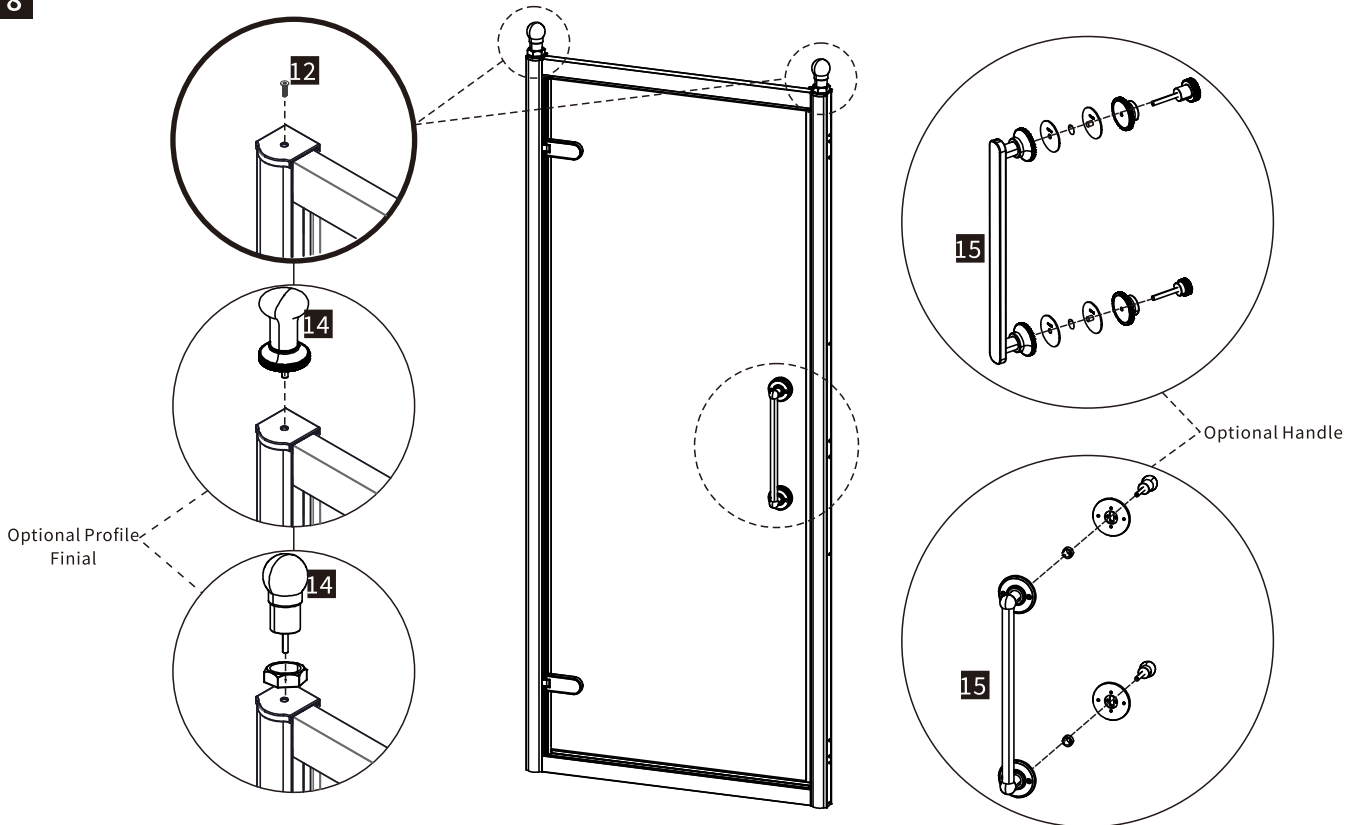


INSTALLATION

7



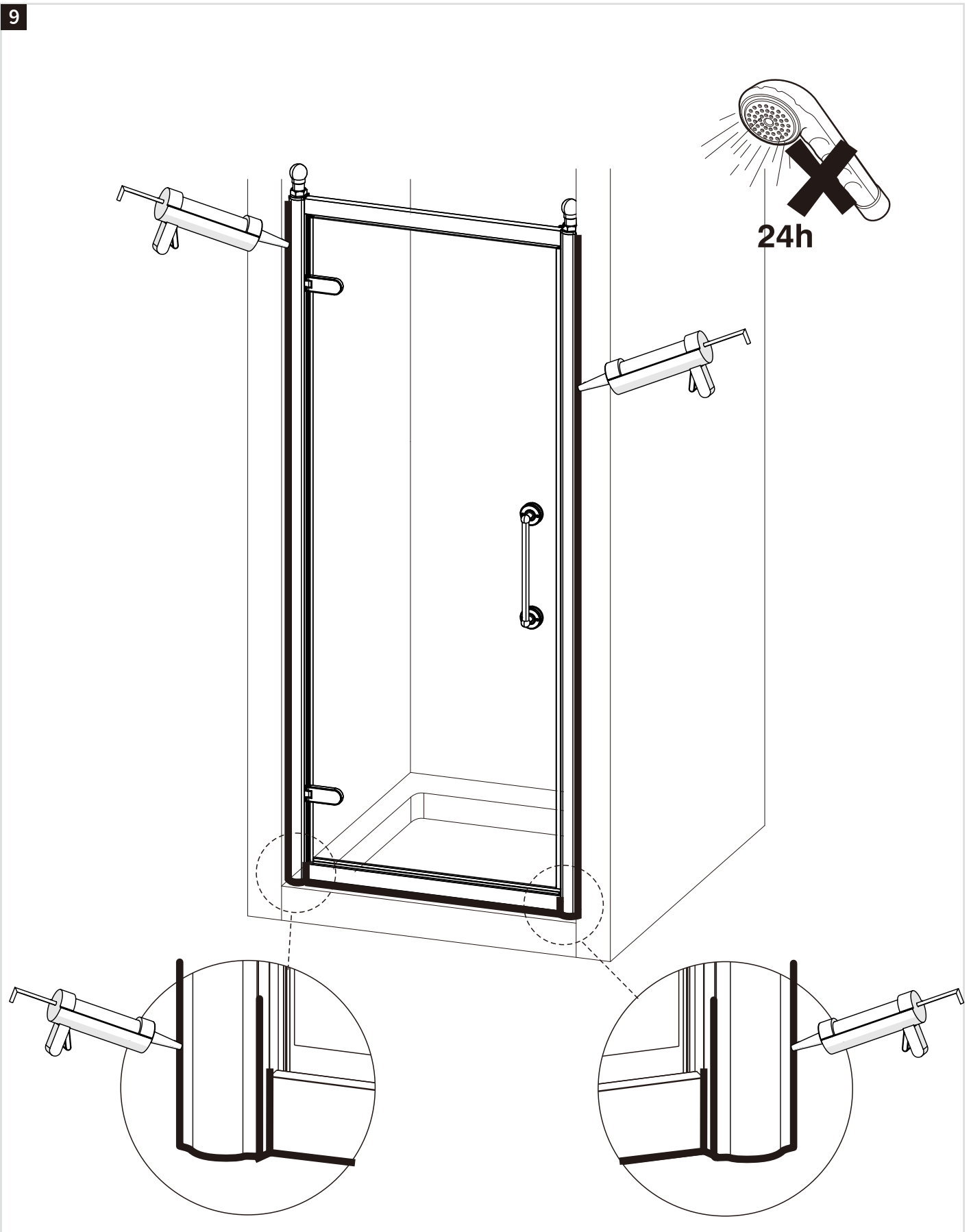
8



INSTALLATION

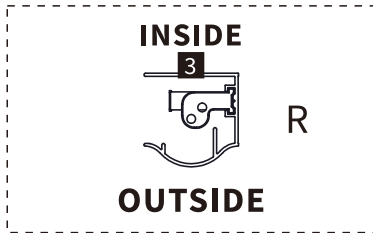
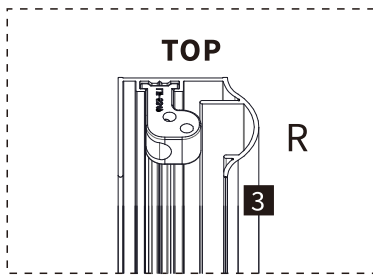
Burlington®

9



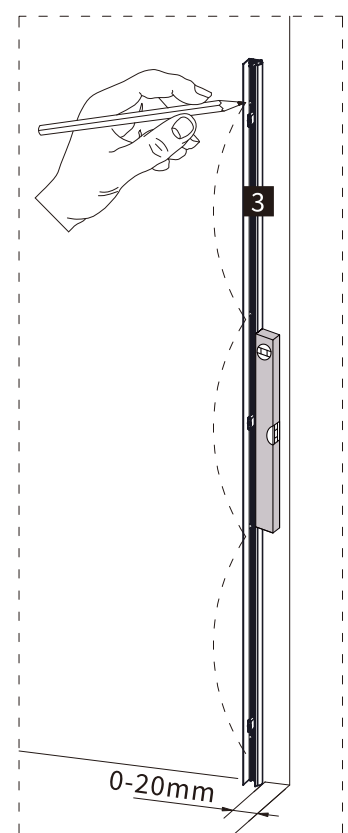
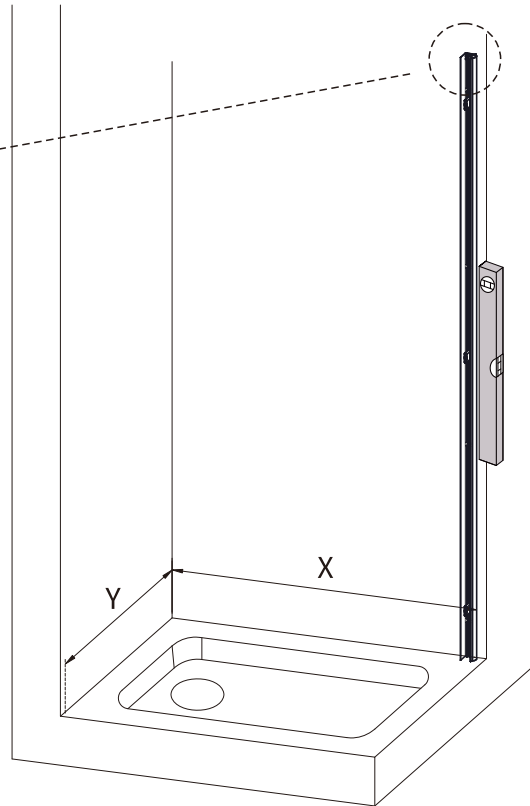
INSTALLATION

10

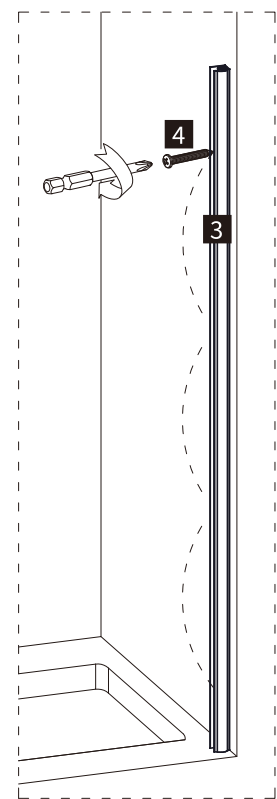
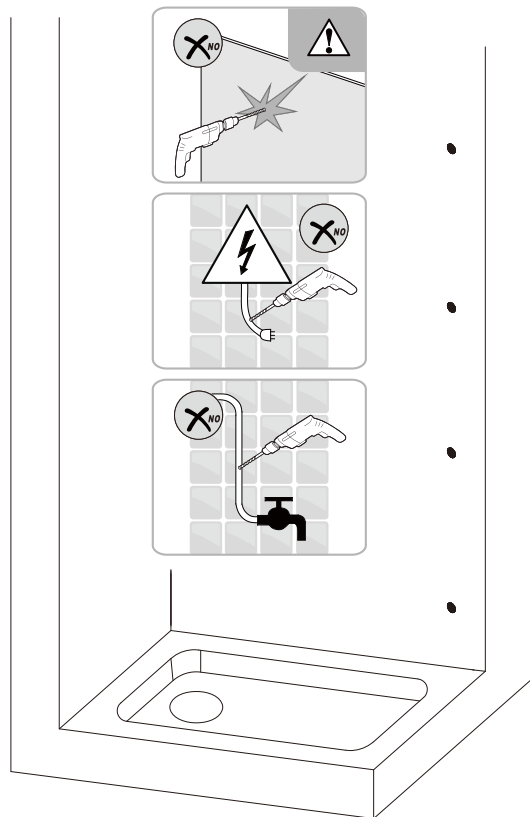
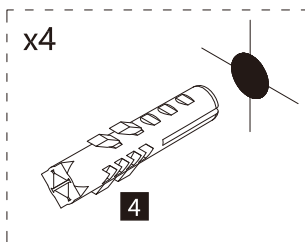
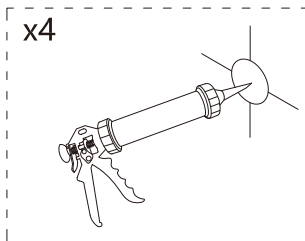
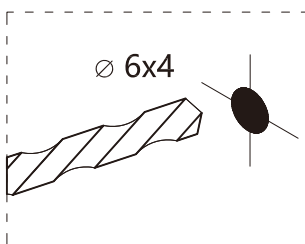


| Product | X(mm) |
|-------------------|---------|
| 800mm Hinge Door | 750-790 |
| 900mm Hinge Door | 850-890 |
| 1000mm Hinge Door | 950-990 |

| Product | Y(mm) |
|------------------|---------|
| 800mm Side Panel | 770-790 |
| 900mm Side Panel | 870-890 |

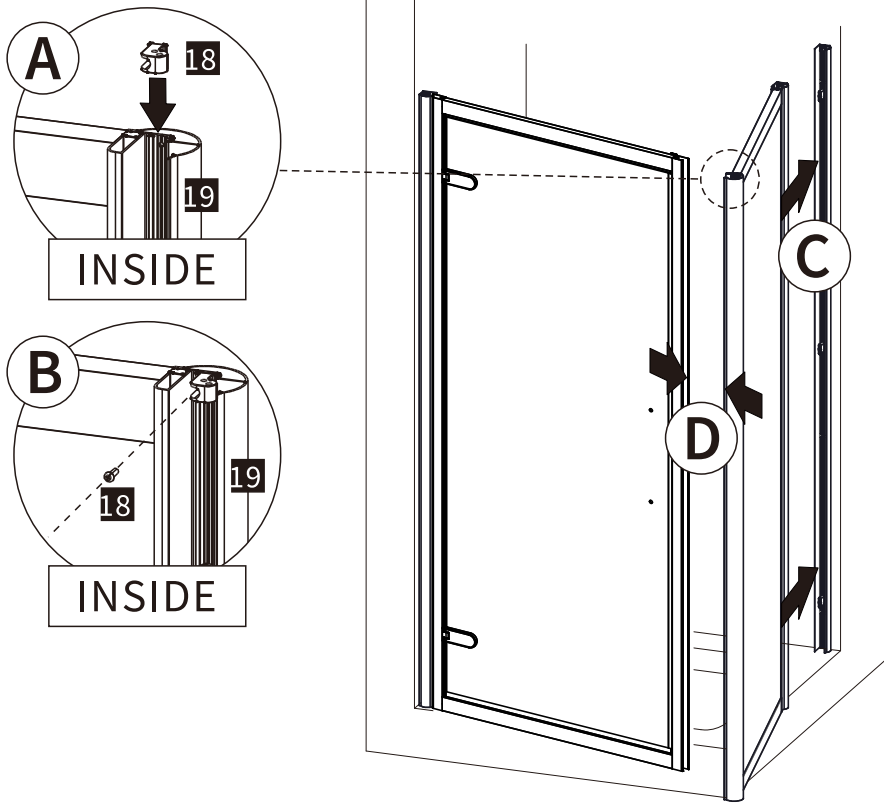


11

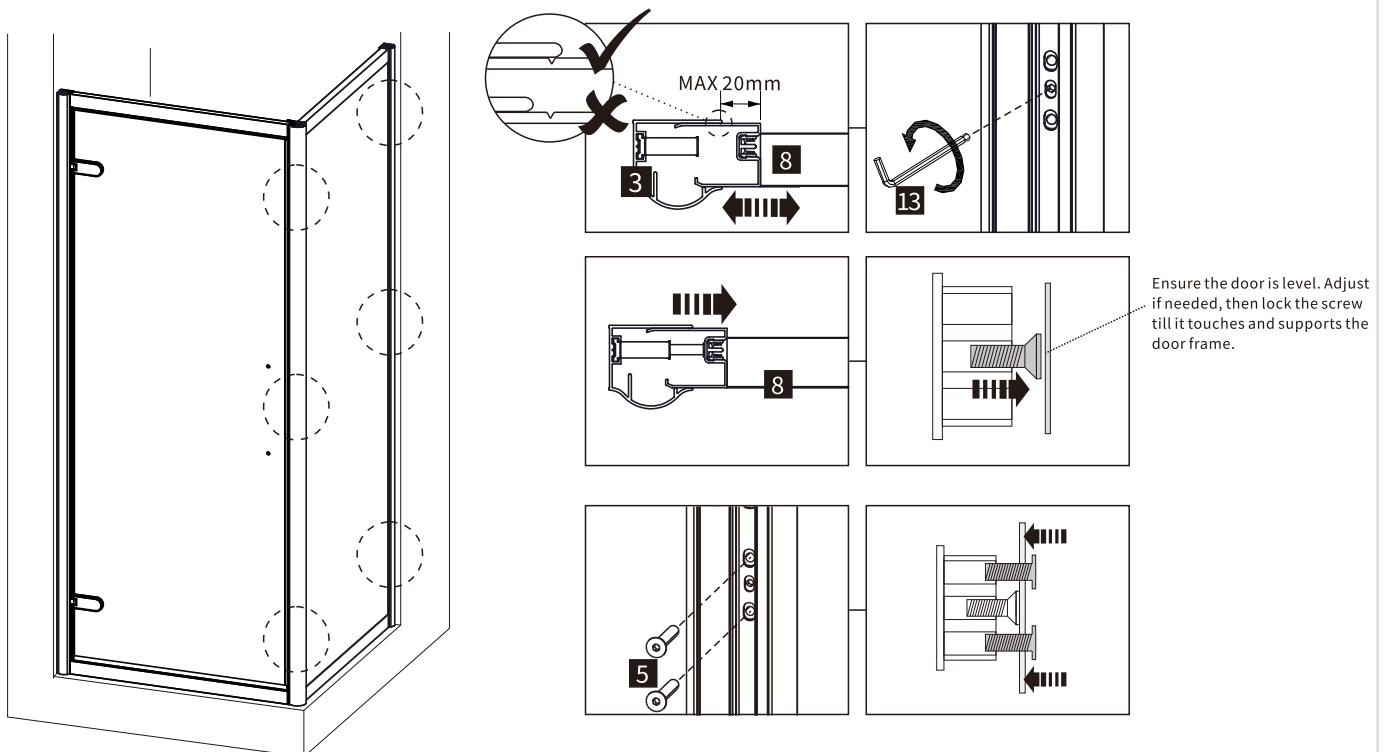


INSTALLATION

12

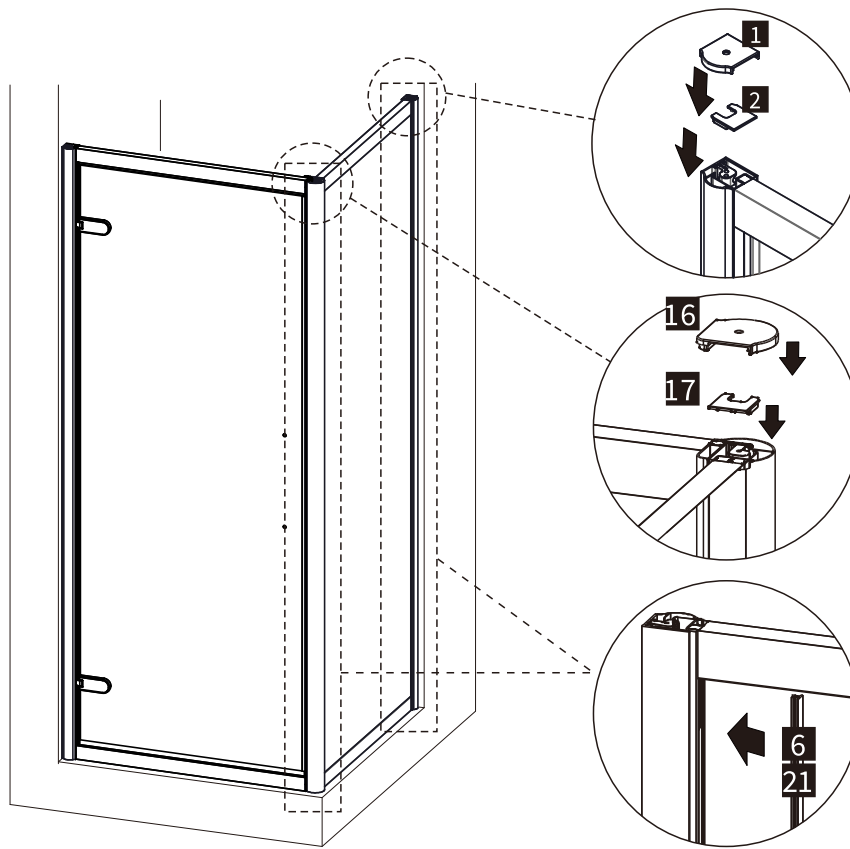


13

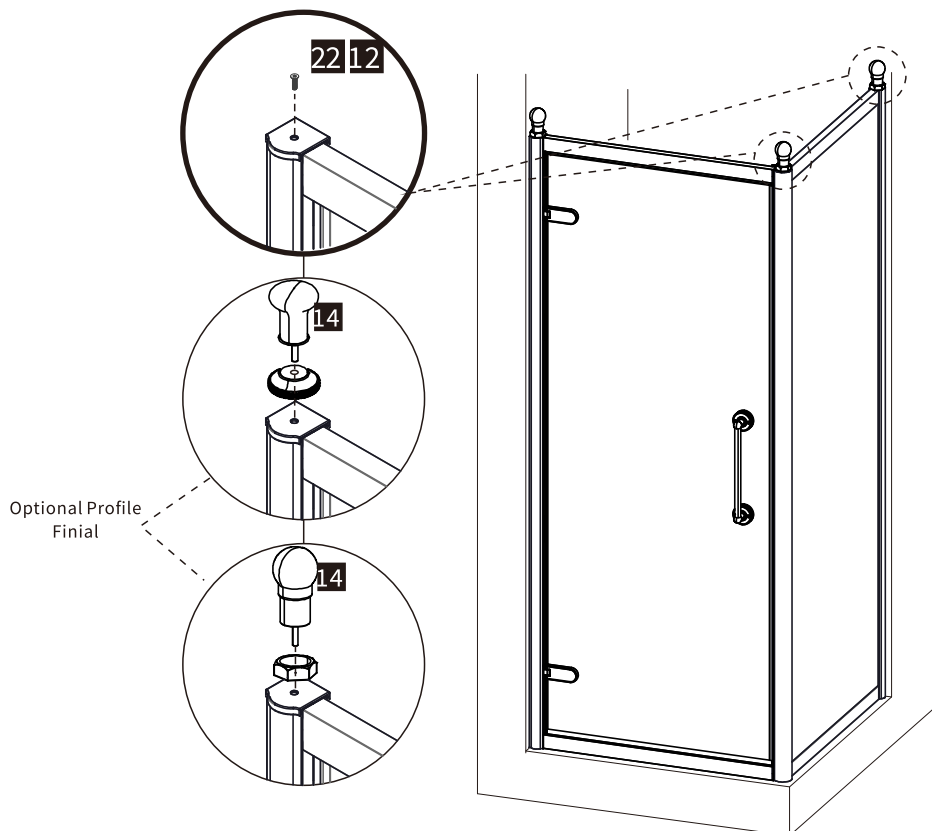


INSTALLATION

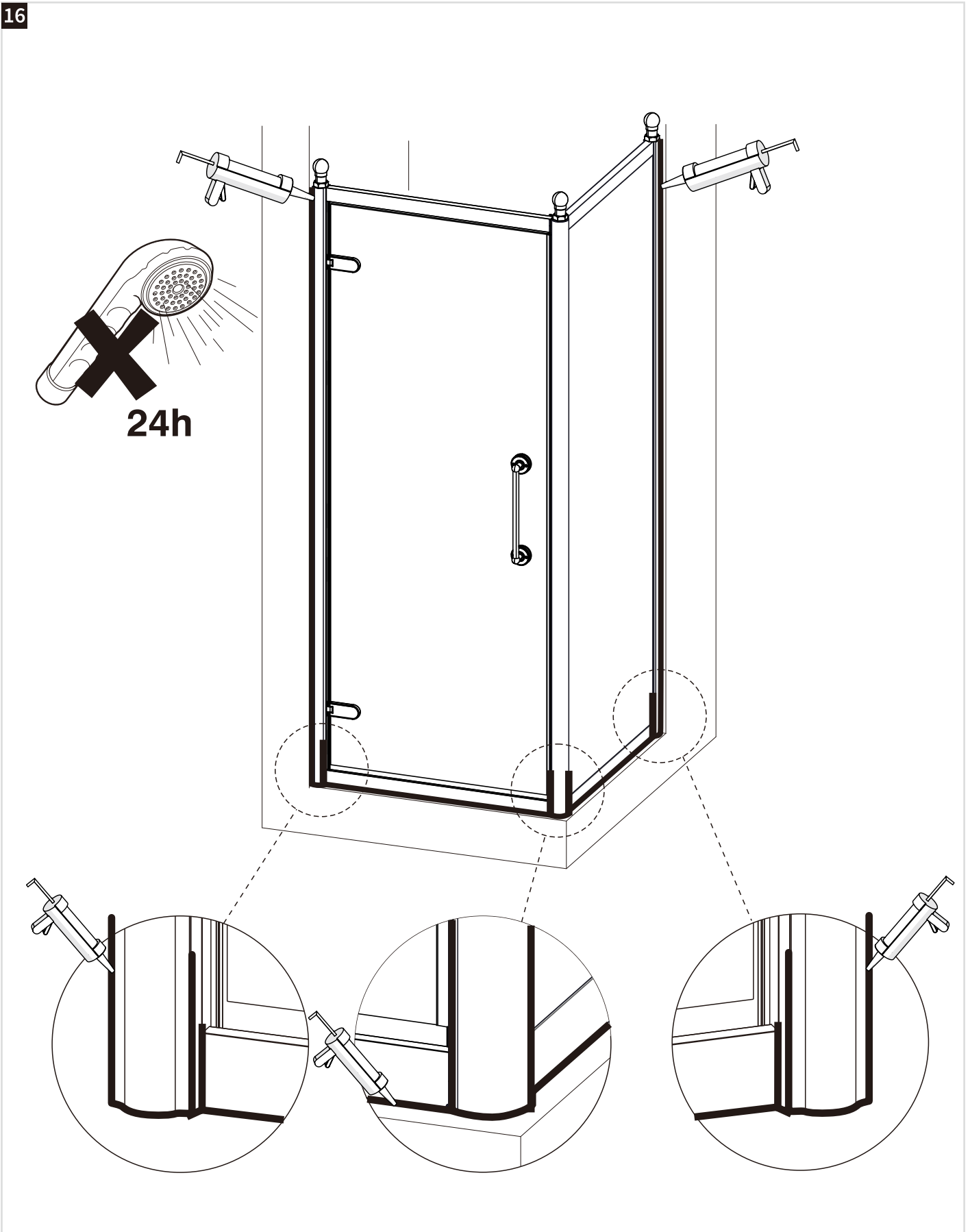
14



15



16



Burlington[®]

CARE & MAINTENANCE

Do not use solvents or abrasive materials or chemicals to clean shower doors.

PH < 6.8, PH > 7.2

Only use soapy water and soft cloth, rinse thoroughly afterwards.

PH = 6.8 - 7.2



Burlington[®]

Part of the
Bathroom Brands Group

We reserve the right to make technical modifications without prior notice.

Burlington[®]

Lake View House
Rennie Drive, Dartford
Kent DA1 5FU
United Kingdom
0345 873 8840
www.crosswater.co.uk