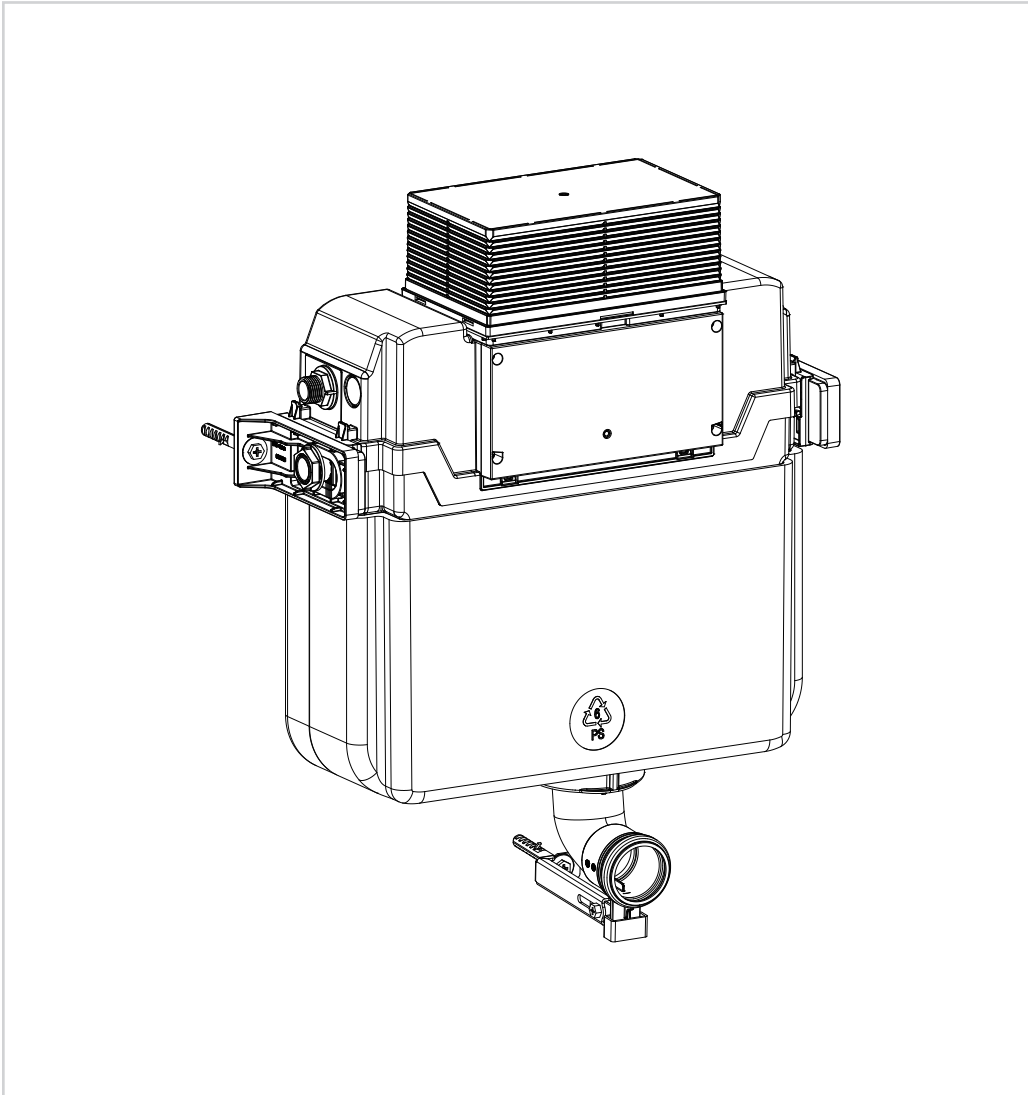


CISTERN & FRAME

DUAL FLUSH CONCEALED CISTERN



PRODUCT CODES:

WCC46X39R

BR_WCC46X39R

BEFORE YOU START



IMPORTANT INFORMATION BEFORE YOU START

Please read carefully and keep this information for further reference. Thank you for buying a Bathroom Brands Product. To ensure that it works to its full potential, it needs to be fitted correctly. Check the contents of the pack carefully before installation.

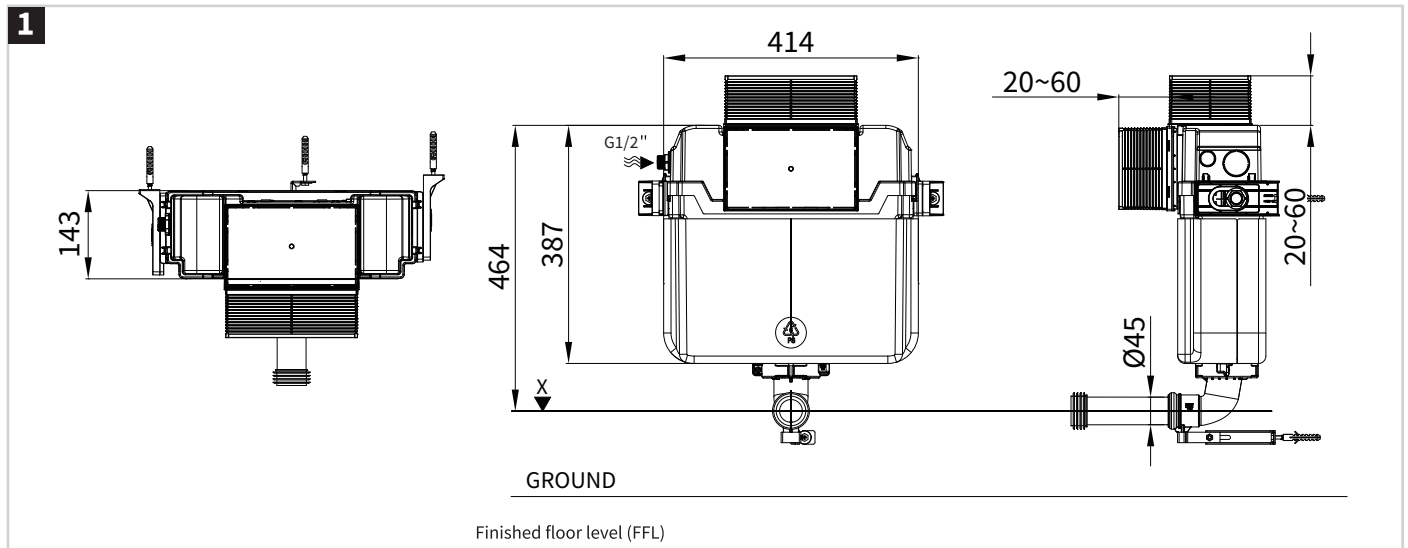
Bathroom Brands will not be held responsible for any re-fit costs where faulty product has been fitted. If any fault is found with materials or workmanship, it must be reported immediately to the manufacturer. Remedial action will be taken based on information received, on condition that:

1. Full details are supplied to the manufacturer.
2. The product has not been modified or tampered with.
3. The manufacturer is informed of any damage/shortages prior to installation.
4. The product has not been installed, or attempts have been made to install.

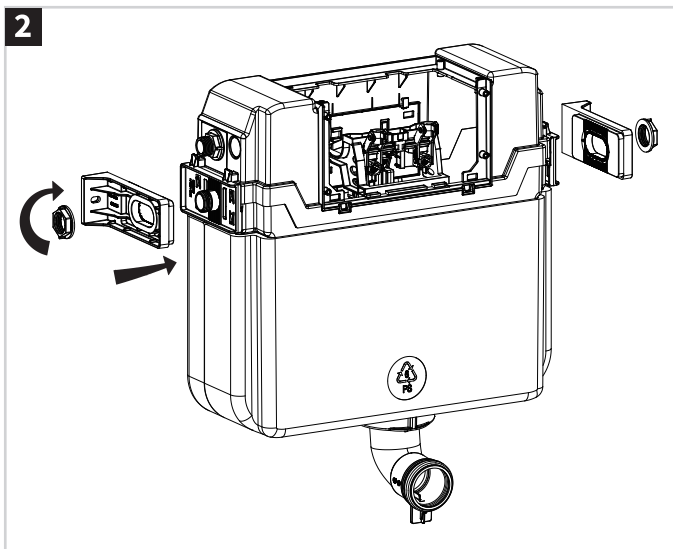
We do not accept responsibility for any problems that may occur through incorrect installation. This product should only be installed by a suitably qualified plumber/installer.

Should the installation be completed by a non-qualified person any product guarantee maybe considered invalid. For a claim made under our warranty, written certification of your installer's qualifications may be required.

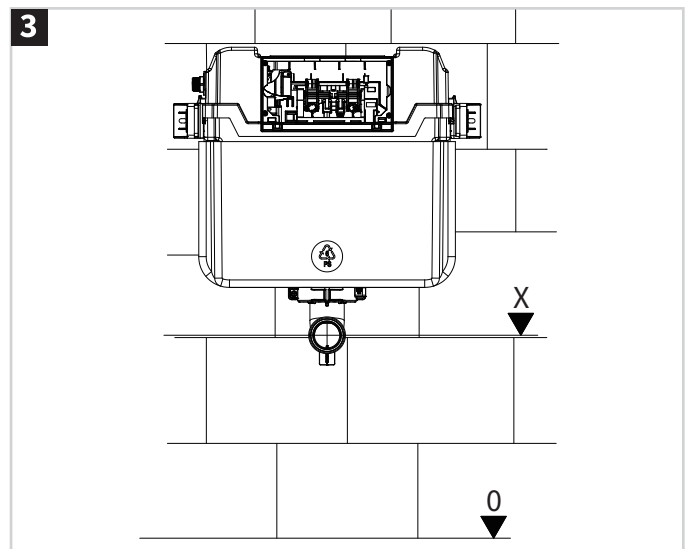
INSTALLATION



General dimension and water supply drawing.
Water supply from side (water supply should be connected to angle valve inside cistern)

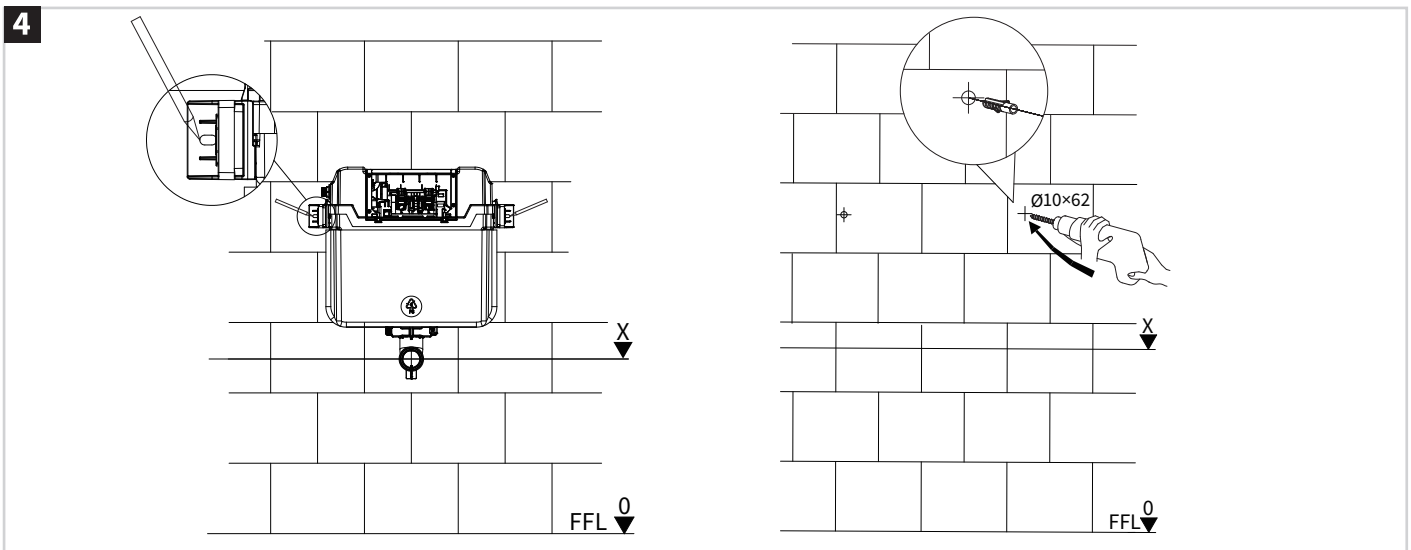


Install the wall brackets.
Install the nut, but no need to fully tighten nuts.

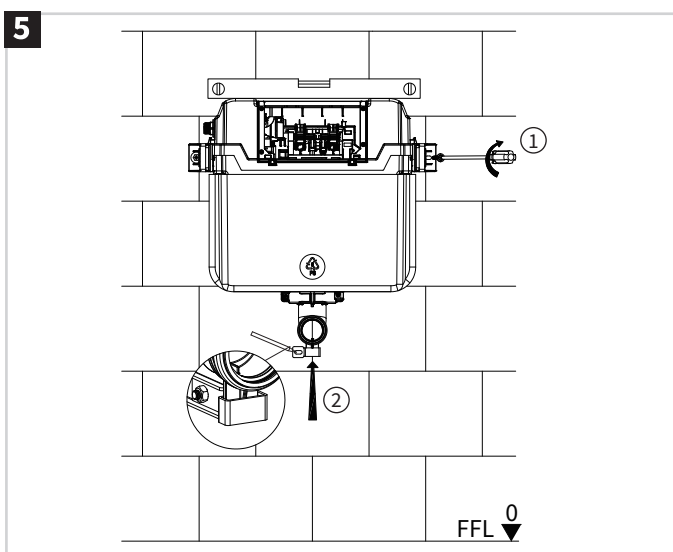


From floor level mark the required position of the wall brackets, water inlet and flush pipe position

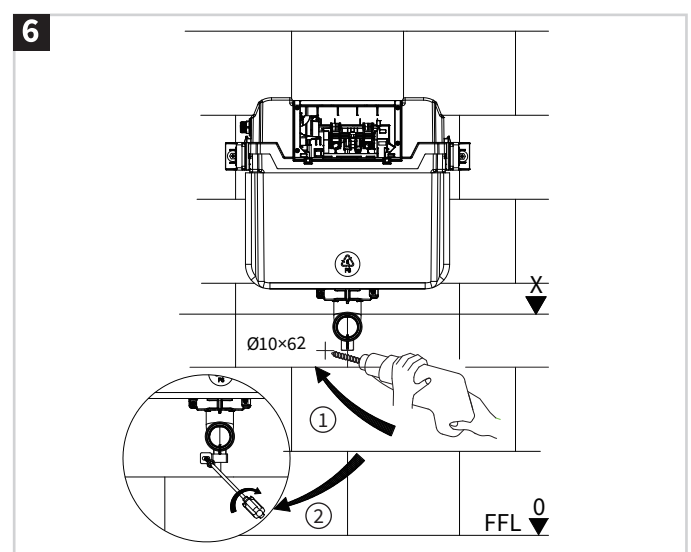
INSTALLATION



Drill and use wall fixings best suited to the wall substrate.

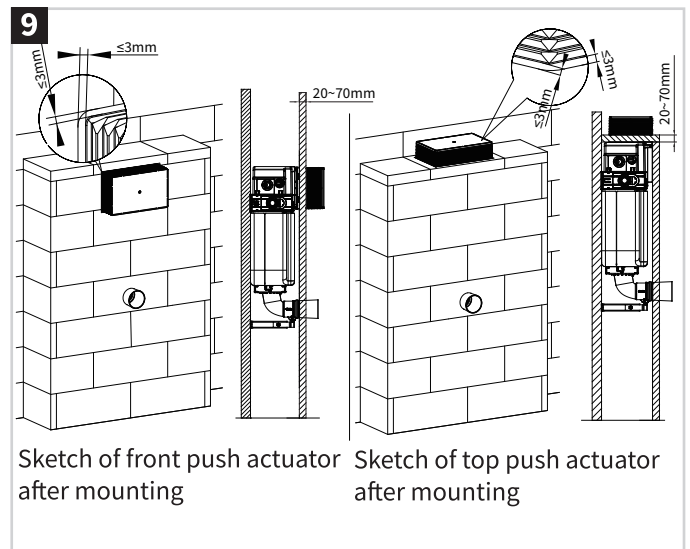
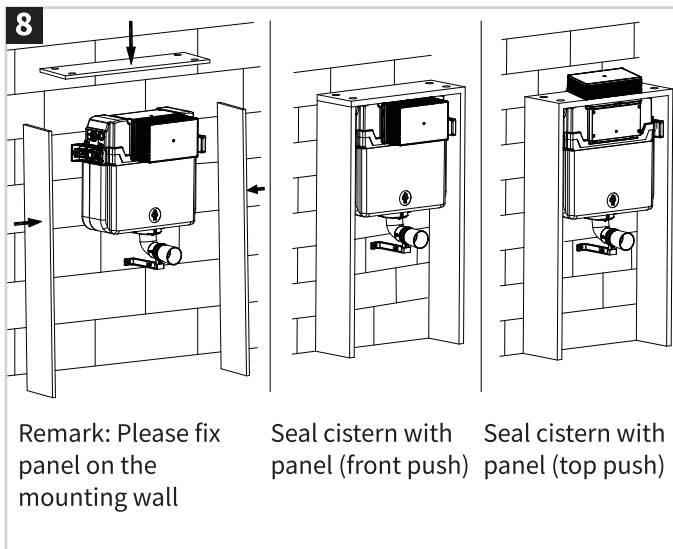
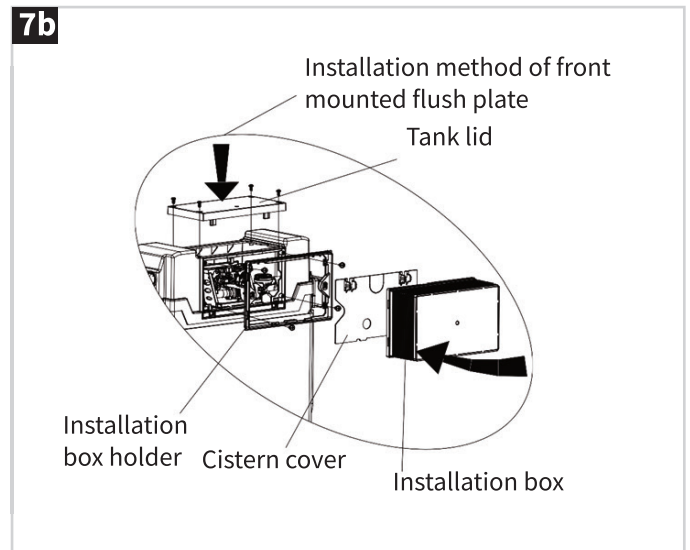
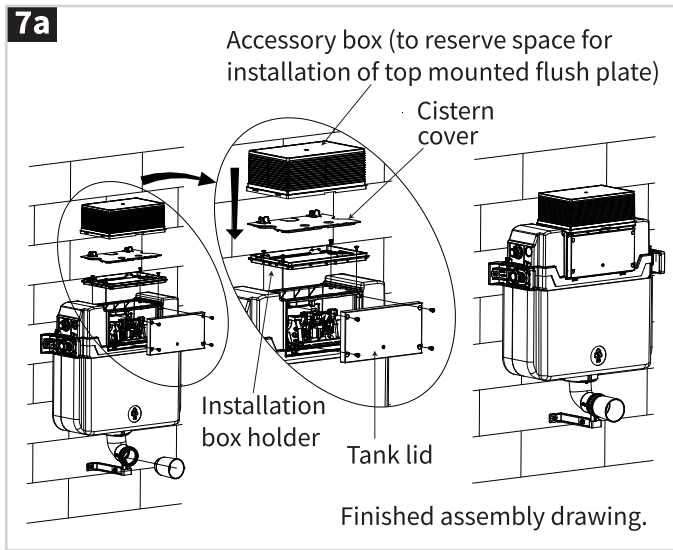


Secure the cistern to the wall using appropriate fixings. Tighten the wall bracket fixing nuts. Position the flush pipe support bracket and mark fixing hole position on the wall.

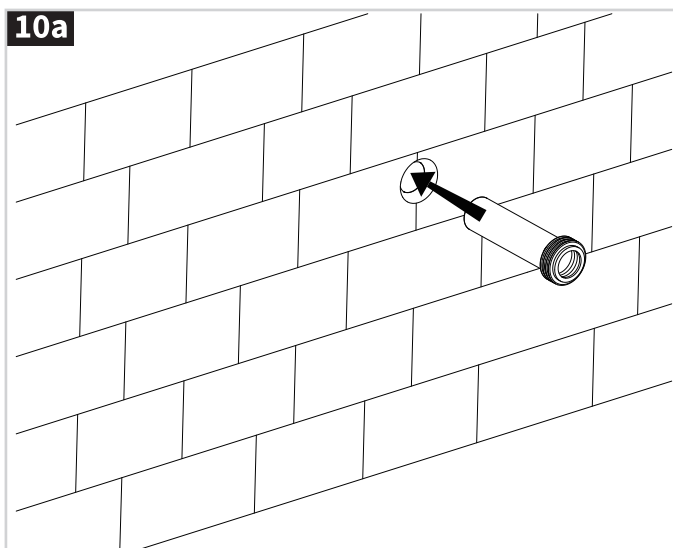


Remove the flush pipe support bracket and drill suitable hole for suitable wall fixing. Re-install flush pipe support bracket and secure to the wall.

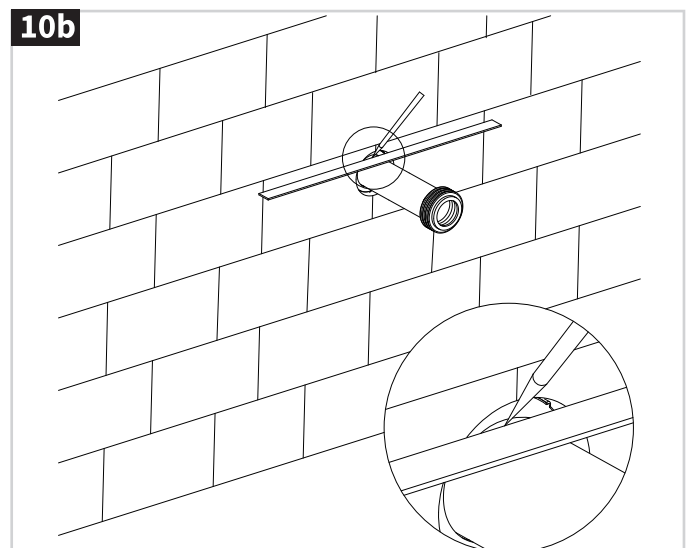
INSTALLATION



Wall thickness range 20-60mm (from frame outside surface to finished wall)

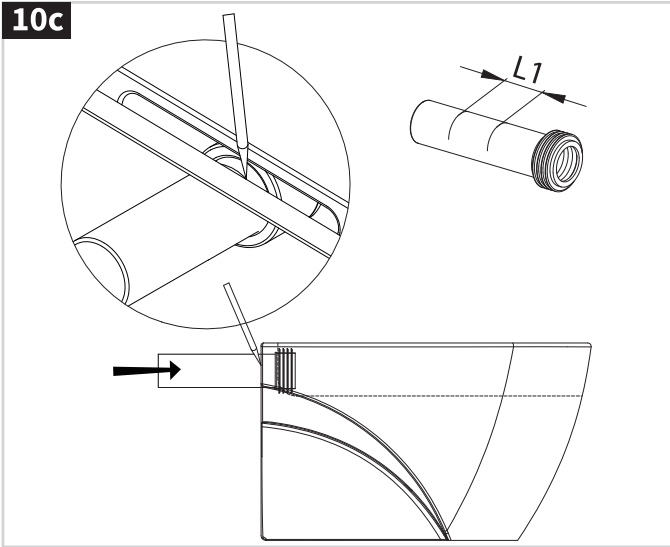


Fully insert the flush pipe into cistern flushing outlet.

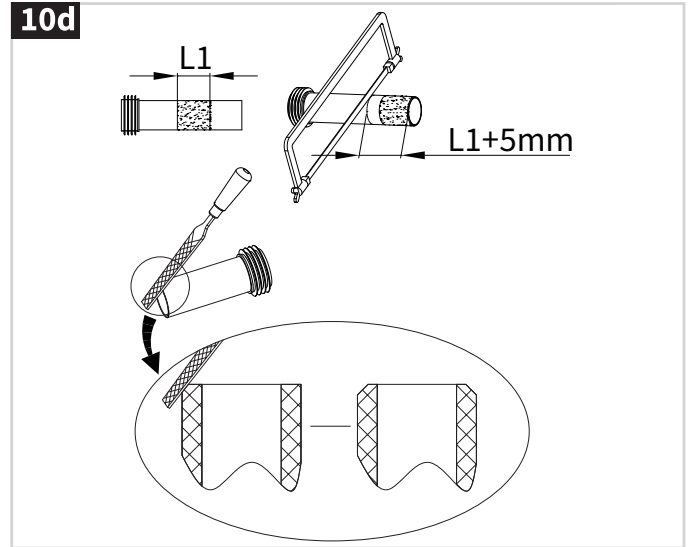


Draw the lines as above picture.

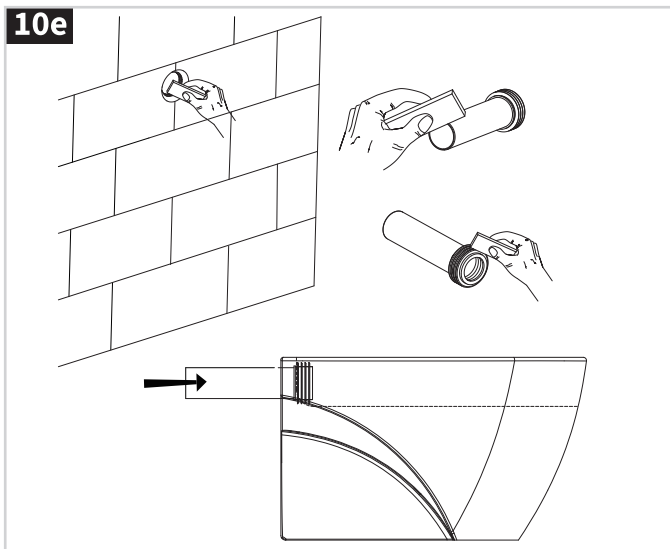
INSTALLATION



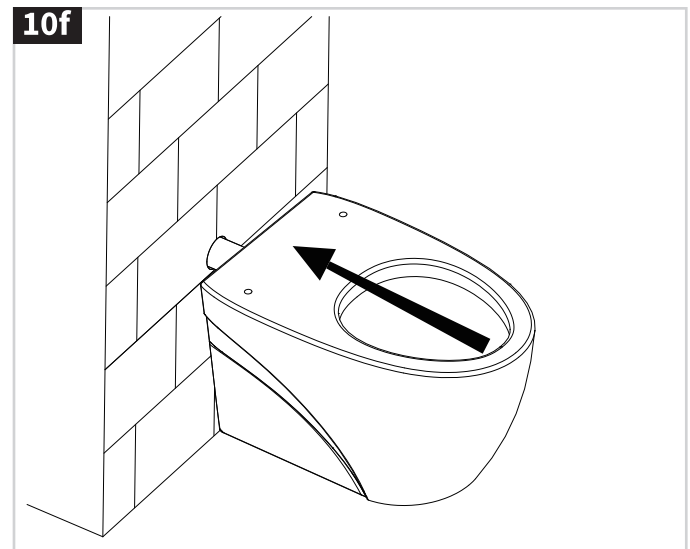
Insert into pan and draw the line.



Cut length of flush pipe as required and de-burr appropriately.



Apply lubricant on joint surface of straight tube and insert the tube into ceramic hole.



Mounting the ceramic bowl.

Compatible with following flush plates:

VENFLUSHC	MPROFLUSHV	BR_VENFLUSHC
VENFLUSHB	MPROFLUSHT	BR_VENFLUSHB
VENFLUSHF	MPROFLUSHBZ	BR_VENFLUSHF
VENFLUSHV	MPROSPLATEC	BR_VENFLUSHV
VENFLUSHT	MPROSPLATEB	
VENFLUSHBZ	MPROSPLATEF	BURPLATEC
MPROFLUSHC	MPROSPLATEV	BURPLATEG
MPROFLUSHB	MPROSPLATET	BURPLATEL
MPROFLUSHF	MPROSPLATEBZ	

CARE & MAINTENANCE

Do not use cleaning agents containing chlorine, acids or abrasive agents which could damage the surface.
Clean only with a soft cloth using a mild detergent and dry with a micro fibre cloth or similar.