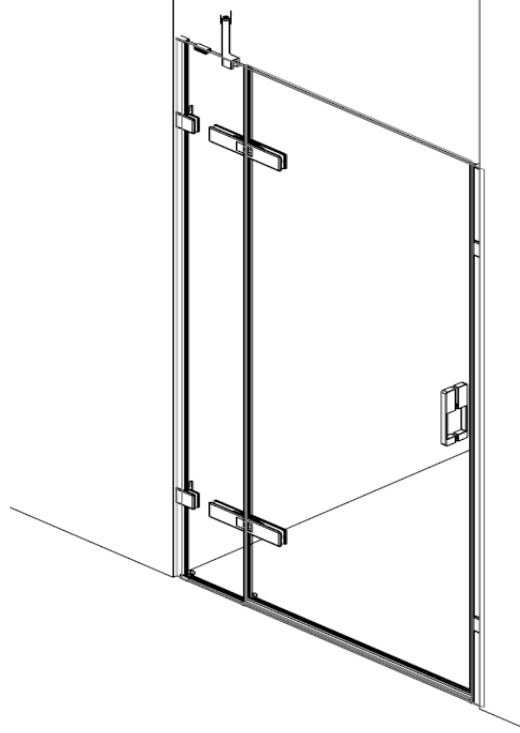


# Liberty

## Hinged Door and Hinged Inline Panel for Alcove

### KL2HD + KL2H / TL2HD + TL2H



#### Handling

Be aware toughened glass can shatter if not handled correctly. It should not be subjected to any sharp impact and it is essential to protect the glass by resting it on a soft protective surface during installation such as cardboard or carpeting. It is recommended to wear PPE at all times during installation.



#### Pre-Installation Checks

1. Please take time to read these instructions prior to installing your product, including the Tray Sizes section below.
2. Check you have the correct product, by looking at the labels on the side of the product packaging.
3. Check all the product components and fixing kits are in the box - these are listed on the next page.
4. Please check the product for defects or damage, once the installation has commenced we cannot accept responsibility for any defects or damage.
5. Before you commence any drilling check there are no hidden electrical cables and/or water pipes.
6. No attempt should be made to re-work the toughened safety glass.
7. The installation of the product should be performed by two persons.
8. It is strongly recommended the product is fitted on a tiled surface or similar waterproof surface - which are tiled and grouted before product is installed.
9. It is strongly recommended that the walls the product is going to be installed on are vertical, and the floor/tray is level.
10. Please note that some natural misting may occur when you remove this product from its packaging, due to the addition of the glass protection pre-coating. If this does occur this can easily be removed with a soft, dry cloth.

#### Tray Sizes

Important: You MUST measure your tray before you proceed with installation. Liberty Products have been designed to fit on standard Roman trays which have only been tiled over by 10mm at a maximum, If your tray exceeds this given value, you may need a bespoke product. The 'Adjustment' displayed in the brochure or on your bespoke customer drawing is the required Alcove tray size - this is at MID Adjustment unless stated otherwise.

Refer to Step 1 for a guide on how to measure your tray accurately before proceeding any further - Roman will not be liable if you begin installation without correctly measuring your tray, to the realisation it doesn't fit.

#### Consumer Guarantee

Please make sure the purchaser/end user completes and returns the guarantee card which is enclosed with this product. Failure to validate the Guarantee will mean only the 1 Year Statutory Guarantee will apply.

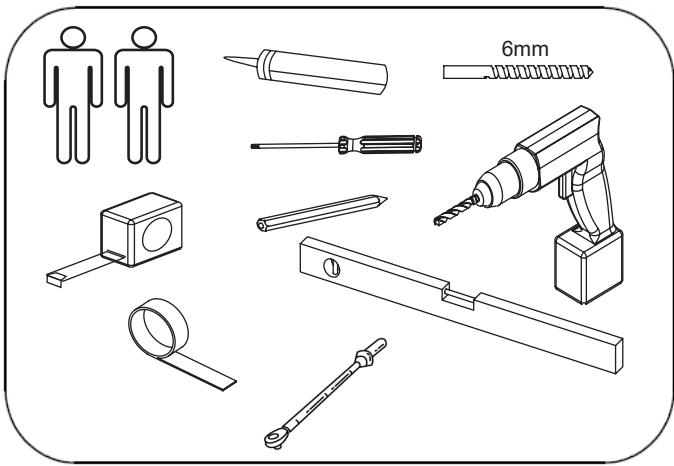


PO Box 125, Whitworth Avenue,  
Aycliffe Business Park,  
Co Durham DL5 6WX

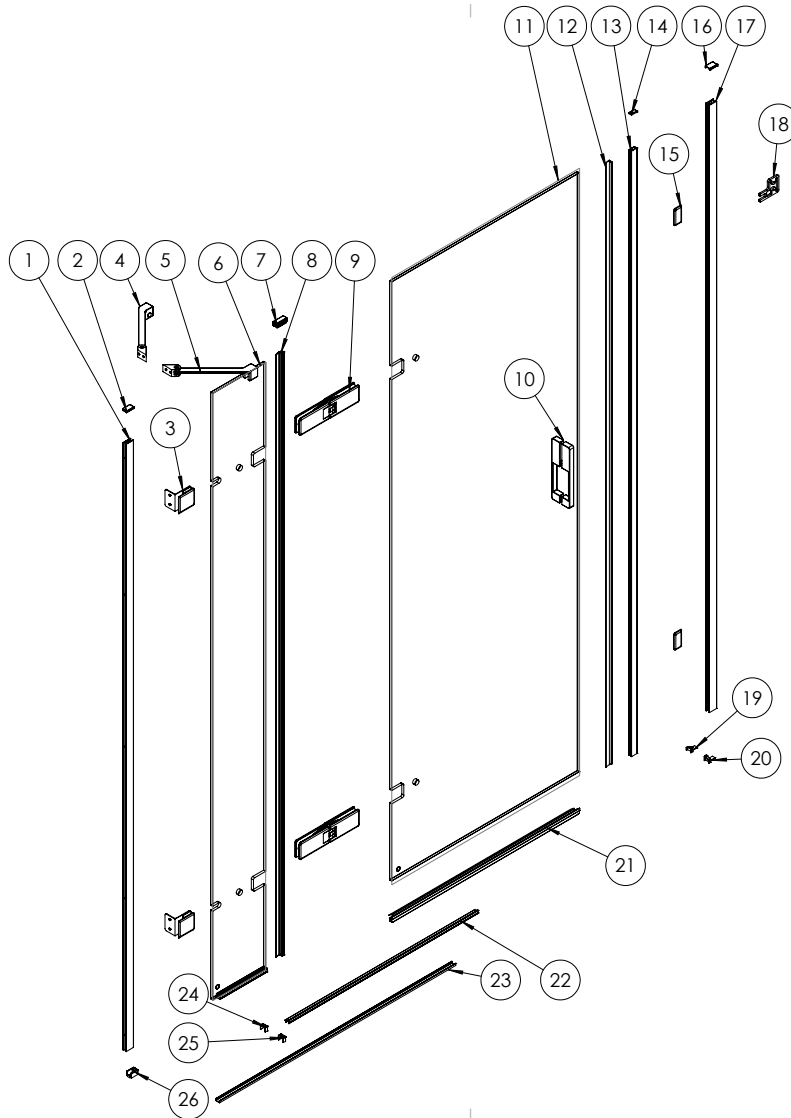
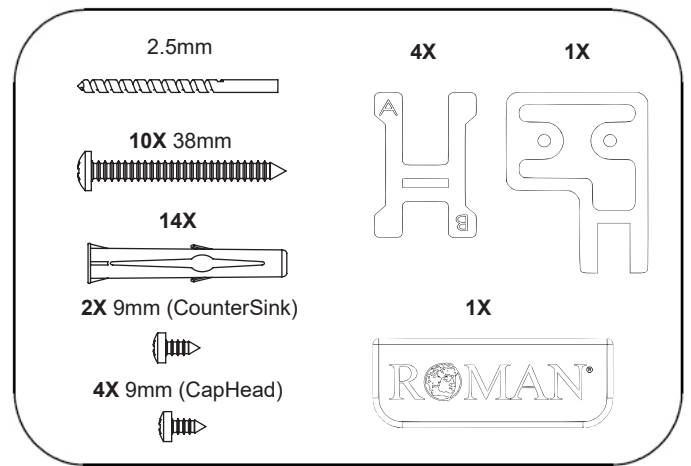
To obtain a copy of the Declaration of Performance for this product, please go to: [www.ce-clip.com](http://www.ce-clip.com), contact us on +44 (0) 1325 226034, or write to us at the above address, quoting the product reference number where possible.



## Equipment Checklist: Not Supplied



## Fixing Kit Components



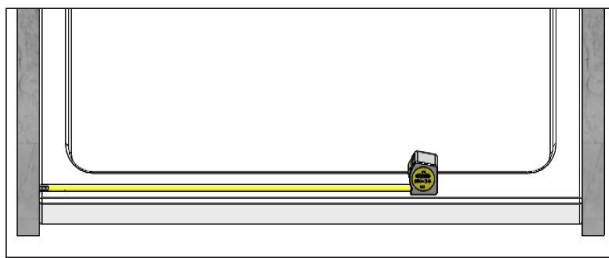
No.	Description	Qty.	No.	Description	Qty.	No.	Description	Qty.
1	Panel Wall Profile	1	11	Door Glass	1	21	Door Bottom Seal	1
2	Panel Profile Top Cap	1	12	Door Flipper Seal	1	22	Door Bottom Seal	1
3	Wall Brackets	2	13	Seal Carrier Profile	1	23	Bottom Rail	1
4	RH Bracing Assembly	1	14	Seal Carrier Top Cap	1	24	LH Blanking End	1
5	LH Bracing Assembly	1	15	False Cover	2	25	RH Blanking End	1
6	Hinged Panel Assembly	1	16	Door Wall Profile Top Cap	1	26	Dam to Profile Joint	1
7	Branding Clip	1	17	Door Wall Profile	1			
8	Vertical Seal	1	18	Wall Marker	1			
9	Hinge Assemblies	2	19	RH Bottom Rail Door Joint	1			
10	Handle	1	20	LH Bottom Rail Door Joint	1			

## Step 1 - Tray Sizes

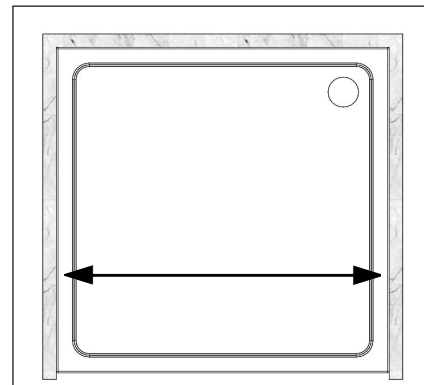
Your area must be tiled and grouted before measuring your tray - refer to your tray installation instructions and ensure this is done correctly. This is because tray measurements are taken from the tiled wall. Once tray installation is complete you can proceed to measuring the area. Liberty Products have been designed to fit on trays which have been tiled over by 10mm **maximum** (each wall). The tables below show the range of tray widths which will allow for correct fitment - this is for standard products only. For Bespoke products please refer to your customer drawing for the MID Adjustment of the Door, this is the required Alcove size.

Door / Inline Code	Tray Width
KL2HD13 + KL2H1013	973mm - 987mm
TL2HD13 + TL2H1013	973mm - 987mm
KL2HD13 + KL2H1213	1173mm - 1187mm
TL2HD13 + TL2H1213	1173mm - 1187mm

If your tray exceeds the given amount for your product size, you may need a bespoke product.

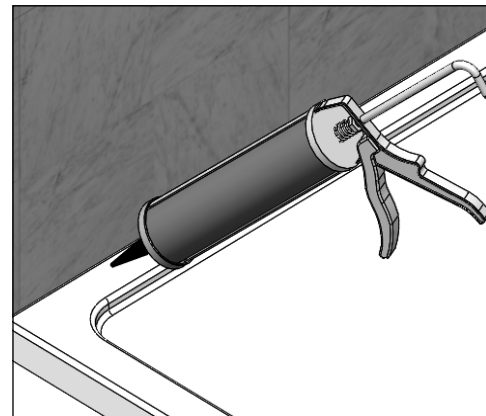
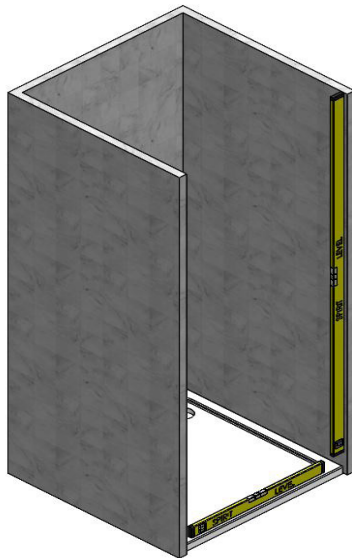


Measure from one tiled wall to the other.



Use the table above and measure the Tray. We recommend measuring the bottom, middle and top across a 2000mm height.

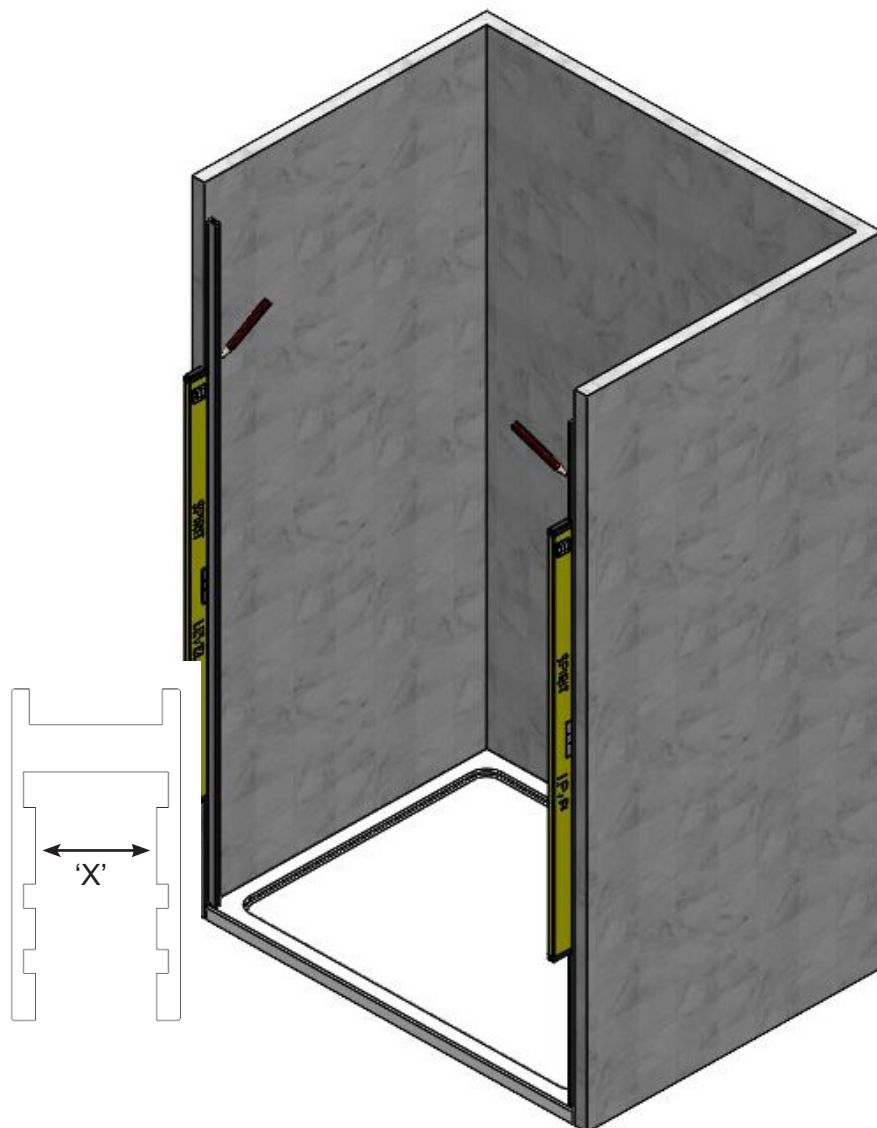
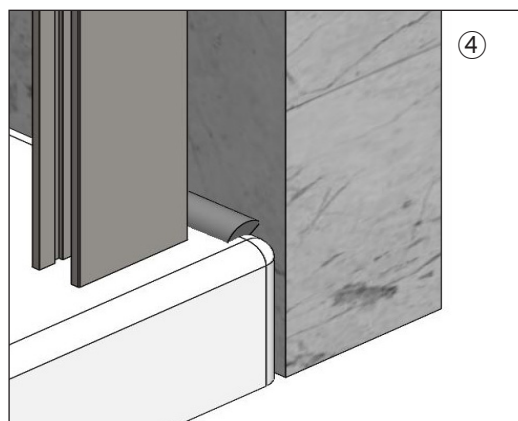
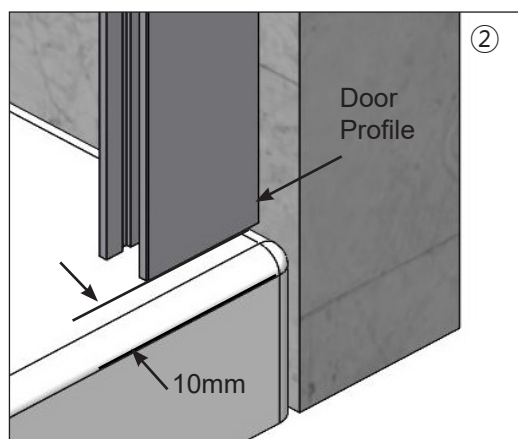
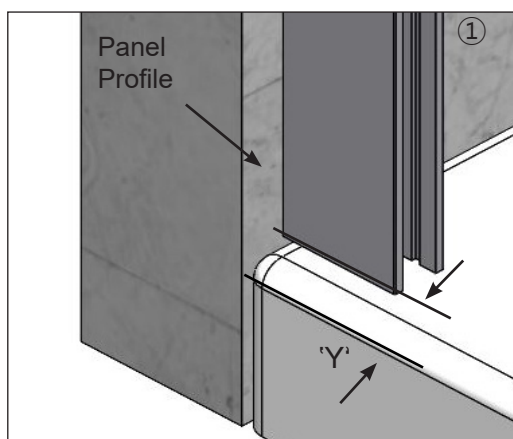
## Step 2 - Pre-Installation Checks



1. Make sure the tray is installed as per the manufacturer's instructions.
2. Check your Tray and Walls are level on all sides (the bubble on the spirit level must be in the centre of the 2 lines).
  - If the Walls & Tray are not level you will not achieve the +/- 7mm of adjustment.
3. Stand in the tray and check that there is no adverse movement (correct if necessary).
4. The walls should be tiled and grouted up to the tray.
5. The tiles and the tray should be sealed using a good quality bathroom sealant:
  - Spray the seal and joints with the shower head and check for leaks when the silicon has cured.
  - Check the plumbing for leaks.
  - DO NOT plasterboard over the tray.
  - DO NOT grout the tiles when the enclosure has been fitted, the grout may discolour the aluminium profiles.

### Step 3 - Wall Profile Positions

**IMPORTANT:** If you have purchased an 8mm product, the Wall Profiles supplied are different. One profile has an 8mm channel while the other has a 10mm channel. Make sure that the 10mm Wall Profile is fitted at the side where the door is going to close. Placing some Masking Tape on the Tiled Wall in the position where the Wall Profiles are to go will not only help with marking out but will also help protect the tiles when drilling.

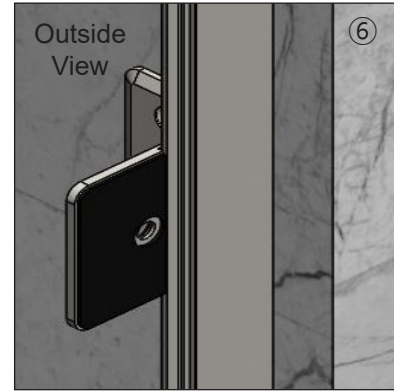
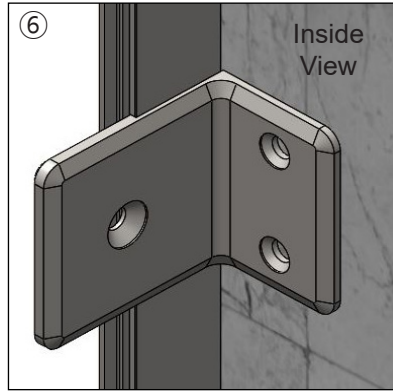
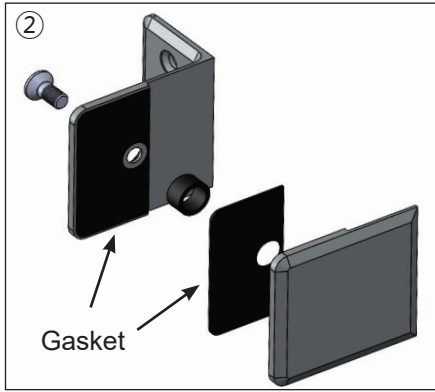


Panel Profile (KL) Y Dimension	Panel Profile (TL) Y Dimension
12mm	10mm

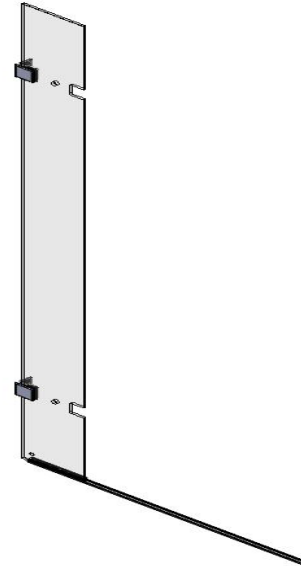
Product Code	Panel Profile X Dimension	Door Profile X Dimension
KL	8mm	10mm
TL	10mm	10mm

- Depending on the product purchased, use the above tables to determine the distance (Y) to place the Panel Wall Profile (The side which the Panel will be on) in from the front of the tray. Using a spirit level keep it completely vertical then with a pencil carefully mark the wall through the holes in the Wall Profile.
- Place the Door Wall Profile 10mm in from the front of the tray. Using a spirit level keep it completely vertical then with a pencil carefully mark the wall through the holes in the Wall Profile.
- Drill the wall with a 6mm masonry drill (not supplied). Remove the Masking Tape and fit the Wall Plugs and remove any debris.
- Apply a bead of sealant the width of both Profiles where they meet the top of the tray and the tiled wall.
- Place the Wall Fixing screws into the holes into both Wall Profiles
- Line up the screws with the holes in the Wall and tighten all the screws.
  - NOTE: Tighten the screws evenly.**

## Step 4 - Fitting the Wall Brackets

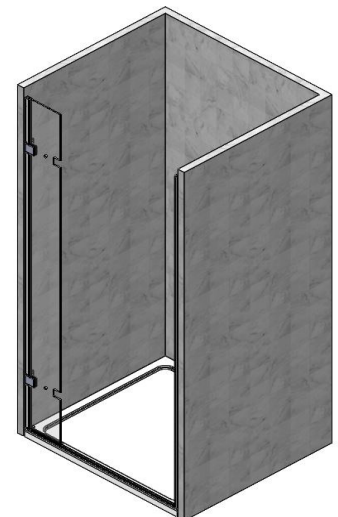
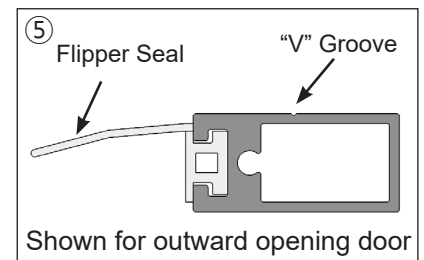
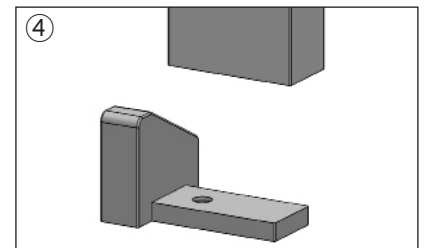
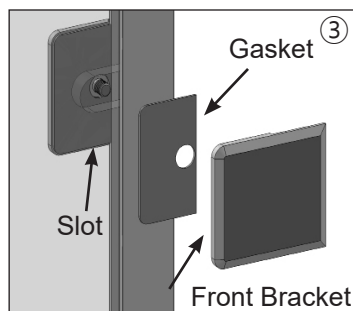
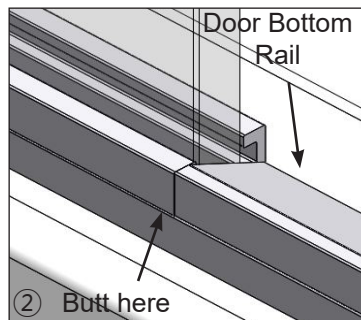
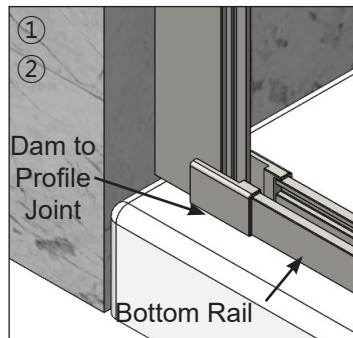


1. Dismantle the Wall Brackets and fit onto the Panel Glass ensuring that all gaskets are fitted. Ensure that the brackets are fitted the correct way (screws to the inside).
  - **IMPORTANT: If you have have purchased a product with a print, please ensure you fit the print on the outside.**
2. Slide the Long Bottom Rail over the bottom of the Panel.
3. Carefully lift the Panel into the Panel Wall Profile and up to the wall.
4. Mark the wall through the holes in the Brackets using a pencil. Remove the Panel and Long Bottom Rail.
5. Drill the wall with a 6mm masonry drill (not supplied). Fit the Wall Plugs and remove any debris.
6. Remove the brackets from the Panel and fasten the inside bracket to the wall and over the Wall Profile.

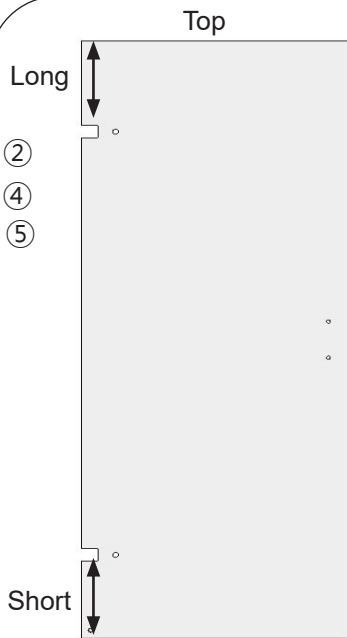


## Step 5 - Fitting the Panel

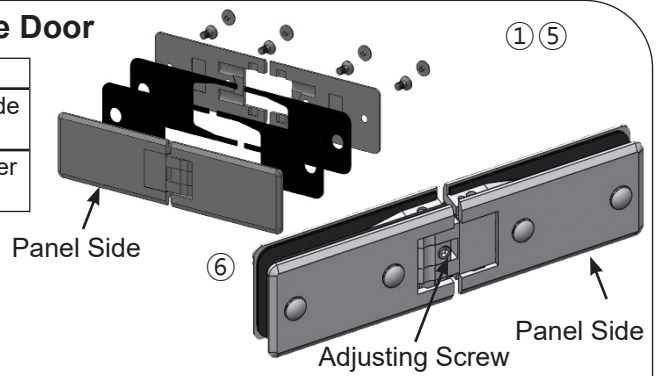
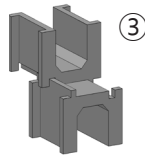
1. Fit the Dam to Profile Joint to the bottom of the Panel ensuring that it also fits over the Long Bottom Rail.
2. Slide the Door Bottom Rail (ensure the slope faces inward) into the Long Bottom Rail and up to the glass.
3. Push the Panel into the Panel Wall Profile and attach the front of the Wall Brackets to the already fitted Brackets and tighten all the screws, ensure the gaskets are placed between the Brackets and glass.
  - **NOTE: Tighten the screws enough to hold the Panel, you may need to adjust the Panel at a later stage.**
  - **IMPORTANT: If you have have purchased a product with a print, please ensure you fit the print on the outside.**
4. Fit the Bottom Rail Door Joint (choose the correct hand) to the base of the Seal Carrier Profile using the 9mm countersink screws (supplied).
  - **IMPORTANT: The Seal Carrier Profile has a small "V" groove running down its length. Ensure the "V" groove is to the inside of the shower.**
5. Slide the Door Flipper Seal into the Seal Carrier Profile and fit the Seal Carrier Top Cap using the 9mm countersink screws (supplied).
  - **NOTE: For door inward opening flip the seal vertically and cut the seal at the bottom so it becomes level.**



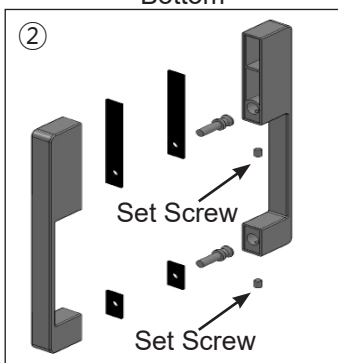
## Step 6 - Fitting the Door



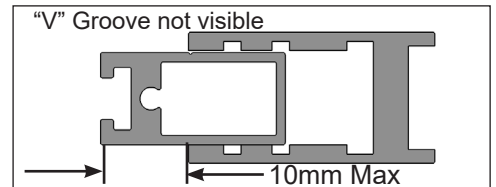
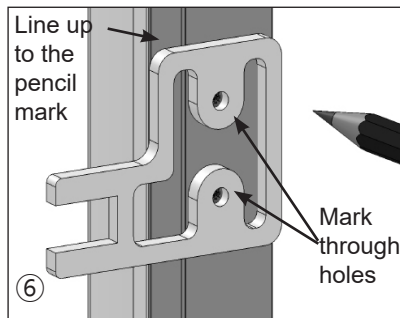
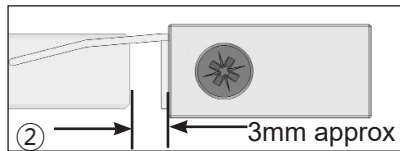
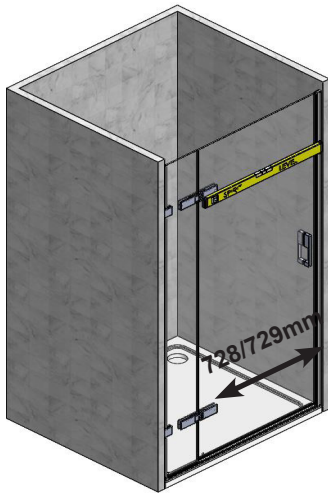
Product Thickness	Gaskets Required
8mm	2 Gaskets either side of the Glass
10mm	1 Thinner Gasket either side of the Glass



- Carefully dismantle the Hinge Assemblies. Fit the Panel Side of the Hinge to the Hinged Panel ensuring the correct amount of gaskets are fitted on both sides of the glass (see table). Make sure they are square to the Glass and tighten the screws.
- Make sure you have the Door Glass the correct way. Remove the Handle Assembly from it's packaging and reassemble onto the Door Glass, ensure that the set screws are fitted on the inside and at the bottom of the Door. Ensure all gaskets are used between the glass and metal parts.
  - IMPORTANT: If you have purchased a product with a print, please ensure you fit the print on the outside.**
- Fit the Red Door Setting Blocks together, create assemblies then place onto tray and over the Bottom Rails.
- With the Door Glass the correct way offer it onto the Hinges and onto the Red Setting Blocks.
- Replace the gaskets and back plates onto the Hinges and fully tighten the countersink screws. Using a Spirit Level ensure the Door is fully vertical. To adjust carefully loosen the Hinges and move the glass (re-tighten).
  - Note: There are the correct amount of gaskets on either side of the glass, dependant on the size purchased.**
  - IMPORTANT: Tighten the 8 Hinge fixing screws to 10N/m using a torque wrench.**
- The Hinges can be adjusted for inward or outward opening. Loosen the Adjusting Screw, move the Door to the desired position then tighten the Adjustment Screw.

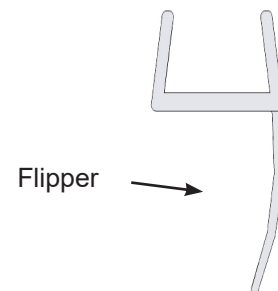
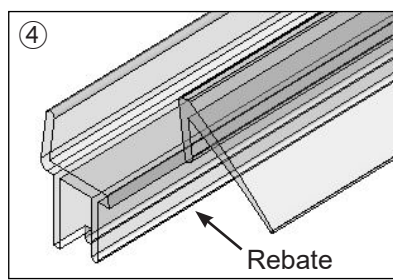
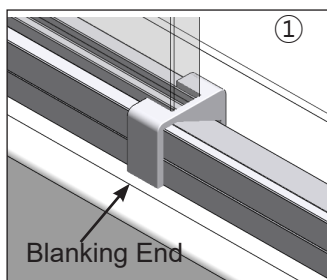
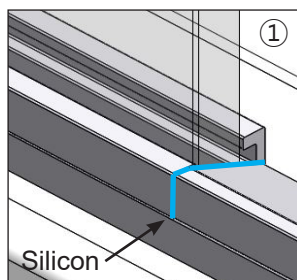


## Step 7 - Fitting the Seal Carrier



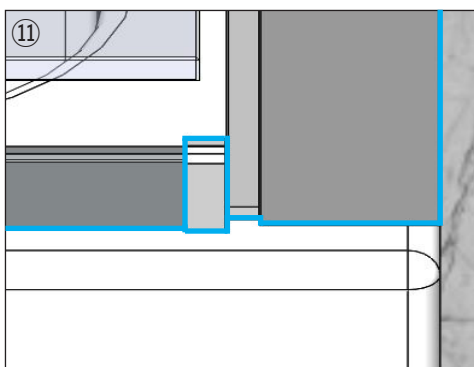
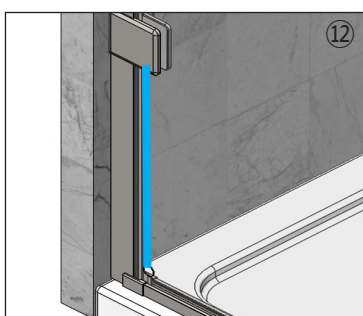
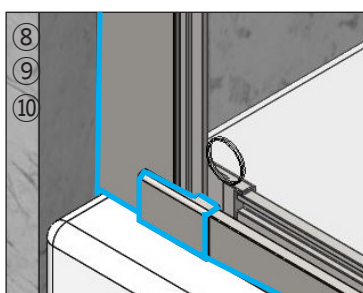
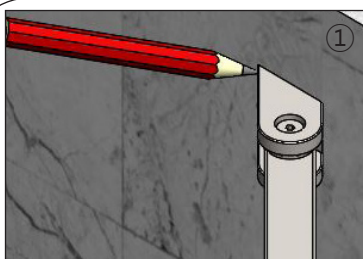
- Put the assembled Seal Carrier Profile (from Step 5) into the Door Wall Profile and place over the Door Bottom Rail.
- Keep the Seal Carrier parallel to the Door Glass and place so that the Bottom Rail butts up to the inside of the Bottom Rail Door Joint.
  - NOTE: A distance of 728/729mm is required between the Panel Glass and the Seal Carrier Profile.**
  - NOTE: The gap between the Door Glass and Seal should be 3mm approximately.**
- Check that the "V" Groove on the Seal Carrier Profile is NOT visible. If the "V" Groove IS visible then you need to adjust the position of the Panel (as stated in Step 4) to make sure the "V" Groove is not visible.
  - VERY IMPORTANT: If the "V" Groove is visible then the Seal Carrier Profile will NOT be able to be secured.**
- Attach some Masking Tape to the front of the Door Wall Profile in the areas opposite the Hinges.
- Place the top of a Spirit Level to the top edge of a Hinge keeping it horizontal. Position the level so it is over the Masking Tape and add a line using a pencil, do the same for the other Hinge.
- Place the the top edge of the Wall Marker on the line on the Masking Tape, ensure that the Wall Marker is pushed fully up to the wall. Mark through the two holes onto the Masking Tape. Repeat for the other.
- Ensure the Seal Carrier Profile is still parallel to the Door Glass and the "V" Groove is NOT visible. With the 2.5mm drill bit (supplied) drill through the Wall Profile accurately into the Seal Carrier Profile. Remove the Masking Tape and secure the Profiles together using the 9mm Cap Head Screws (supplied)
- Remove the Release Paper from the back of the False Covers, Position so the top edge is in line with the top of the Hinges. Place them so they touch the wall then attach to the Door Wall profile.

## Step 8 - Fitting the Seals

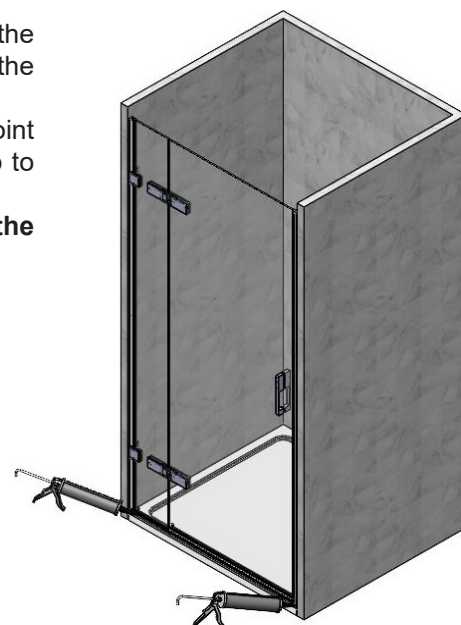


- At the bottom of Panel Assembly, place a bead of silicon between the Glass and the bottom Rails. Fit the correct handing Blanking End and carefully remove any excess silicon.
- The Door Panel Seal is fitted to the Door at the Hinge side and will require cutting to fit.
  - IMPORTANT: Ensure that the flipper part of the Seal closes onto the Hinge Panel when the door is shut.**
- The Bottom Seal requires a rebate at one end only (Handle side). Fit the Bottom Seal so that the rebated end is level with the glass at the Handle side of the door and cut it to length so that it butts up to the Door Panel Seal. Push the seal fully onto the glass.
  - IMPORTANT: The Seal is rebated at both ends, remove the rebate that is not required. You MUST ensure that the Deflector on the Bottom Seal is facing inward towards the shower.**
- Fit the Top Caps to the top of the Panel Profile and Seal Carrier Profile
  - NOTE: If you have purchased a KL product, the top cap for the Door Wall Profile is larger than Panel Wall Profile.**
- Place the Branding Badge to the top of the Panel Glass, apply a small amount of silicon to keep in place.
- Fit all the Cover Caps to the screws of the Hinges and the Wall Brackets.

## Step 9 - Bracing and Sealing



- Put the Bracing on the top of the Panel Glass and up to the tiled walls, use a Spirit Level to keep it horizontal.
- Lightly mark the tiles around the Wall Brackets. Remove the Bracing.
  - NOTE: Place masking tape where the Wall Bracket is to go as it will protect the tiles and aid in marking.**
- Remove the Wall Bracket from the Bracing Assembly. Place over the pencil mark and mark the hole positions
- Drill the hole positions using a 6mm Masonry Drill (not supplied) and fit the Wall Plugs.
- Fit the Wall Bracket to the tiled wall using the screws supplied.
- Place the Bracing onto the top of the Panel Glass and into the Wall Brackets and re-assemble.
- Ensure the gaskets are between the Glass and Bracing, fully tighten all screws. Fit the Cover Cap.
- Place a bead of silicon around the top and up the sides of the Dam to Profile Joints and Door Bottom Joint.
- Seal the base of the enclosure horizontally on the outside only.
- Seal both Wall Profiles up from the bottom of the tray on the inside and outside of the enclosure.
- Seal between the Door Wall Profile and the Seal Carrier Profile about 50mm up from the tray (outside only)
- Seal up from the top of the Dam to Profile joint where the Glass meets the Wall Profile up to the first Bracket on the outside only
  - Do not seal along the base on the inside.**
  - IMPORTANT: Failure to follow stages 8,9,10 and 11 may result in serious water damage and is not covered under the terms of the guarantee.**
  - Please allow 24 hours for the sealant to fully cure before using the enclosure.**



# Trouble Shooting Guide

Should you experience any problems during installation please refer to the Trouble Shooting Guide or contact Customer Relations on:  
+44 (0) 1325 328033

To enable customer relations to provide you with an excellent level of service it is important that you quote your product Code and Reference Number - these can be found on the Guarantee card.

Problem	Solution
Leaking	<ol style="list-style-type: none"><li>1. Check that the inside gap between the Tray and Wall profile has been sealed correctly.</li><li>2. Ensure the tray is sealed along the tiled walls prior to installation.</li><li>3. Ensure the joint between the enclosure and tray top is sealed</li><li>4. If the inside joint between the enclosure and the tray top is sealed, this will cause leakage - sealant must be removed.</li><li>5. Ensure the Panel Profiles on the tiled walls are sealed vertically on both the inside and outside.</li></ol> <p><u>Important: This enclosure should be water tested conforming to BS EN 14428</u></p>
Enclosure Alignment on Tray	<ol style="list-style-type: none"><li>1. Have you read and understood Step 1 of the instructions?</li><li>2. Is the enclosure fitted onto a tiled wall?</li><li>3. Are the Wall Profiles completely vertical?</li></ol>
Door not operating correctly	<ol style="list-style-type: none"><li>1. Ensure both Panel Profiles are completely vertical.</li><li>2. Adjusting the Set screw on the inside of the Hinges can help.</li><li>3. Ensure the tray is completely level.</li><li>4. Check the bottom of the door is parallel to the top of the tray.</li></ol>
Door Alignment	<ol style="list-style-type: none"><li>1. Ensure the Hinge Assemblies are completely vertical.</li><li>2. Ensure you have read and understood Step 1 of the instructions.</li><li>3. Check the bottom of the Door is parallel to the top of the Tray.</li><li>4. Check the Hinge Screws have been fully tightened to 10N/m.</li></ol>
Panel Alignment	<ol style="list-style-type: none"><li>1. Ensure the Tray is completely level.</li><li>2. Check the Bracing is fitted correctly and fully tightened.</li></ol>

## Important Information to help you maintain your Product:

The following information is all you need to keep your product looking new.

Our products are generally maintenance free, however it may be necessary to lubricate wheel assemblies and other moving parts such as hinges from time to time.

Clean your product using a mild detergent diluted in water and then polished off using a soft cloth.

If you live in a hard water area, periodically clean your product using a 50/50 solution of white vinegar and water. The solution should be left on the enclosure for approximately 5 minutes then rinsed off using warm water. This method of cleaning should remove lime scale residue.

It is strongly recommended that a quality silicone spray is used.

## A list of Donts

1. Don't use acidic based products which are unsuitable for cleaning enamel surfaces.
2. Don't use abrasive cleaners or cleaners using bleach or solvents, these products will adversely affect the finish of the aluminium profiles.
3. Don't use scouring pads, powder or any sharp instruments when cleaning the enclosure.