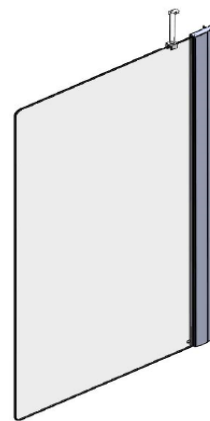


# Static Bath Screen

## Instruction Manual

EBS / V8BS / H2D11 / H4D11



### IMPORTANT INFORMATION

Be aware toughened glass can shatter if not handled correctly. It should not be subjected to any sharp impact and it is essential to protect the glass by resting it on a soft protective surface during installation such as cardboard or carpeting. It is recommended to wear PPE at all times during installation.



#### PRE-INSTALLATION CHECKS

1. Check you have the correct product. Please look at the labels on the side of the product packaging.
2. Check all the product components are in the box and the fixing kits.
3. Unpack your product and handle it with care.
4. Please check the product for defects or damage, once the installation has commenced we cannot accept responsibility for any defects or damage.
5. Please take time to read these instructions prior to installing your product.
6. Before you commence any drilling check there are no hidden electrical cables and/or water pipes.
7. No attempt should be made to re-work the toughened safety glass.
8. The installation of the product should be performed by two persons.
9. It is strongly recommended that the walls the product is going to be installed on are vertical.
10. It is strongly recommended the product is fitted on a tiled surface or similar waterproof surface.
11. It is strongly recommended the walls are tiled and grouted before the product is installed.
12. If the walls and/or the tray are not level you will not achieve maximum adjustment of the product.
13. Pictures used are for illustration purposes only, product designs may alter slightly as a result of continuing product development.
14. We do not stipulate where the European Standard Kite Mark should be positioned on the glass when being factory assembled.
15. Please note that some natural misting may occur when you remove this product from its packaging, due to the addition of the glass protection pre-coating. If this does occur this can easily be removed with a soft, dry cloth.

#### Fixing Kit Components (EBS)

Description	Quantity
40mm Screws	3
Wall Plugs	3
9mm Screws	3
Screw Caps	3
Screw Bases	3
2.5mm Drill Bit	1
Top Cap (Left Hand)	1
Top Cap (Right Hand)	1
Branding Badge (if applicable)	1

#### Component Check List: Supplied

Description	Quantity
Panel Assembly	1
Wall Profile	1
Bracing Assembly	1

#### Equipment Check List: Not Supplied

Description
Electric / Battery Drill
6mm Masonry Drill Bit
Spirit Level
Screwdriver
Sealant Gun and Sealant
Tape Measure
Pencil
Wall Plugs (for Plasterboard if required)

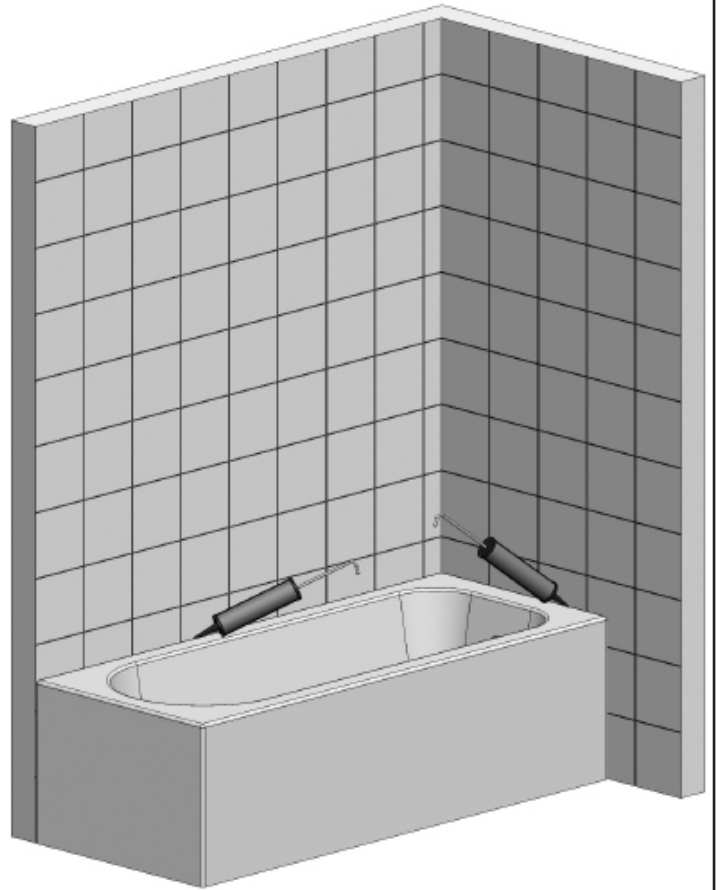
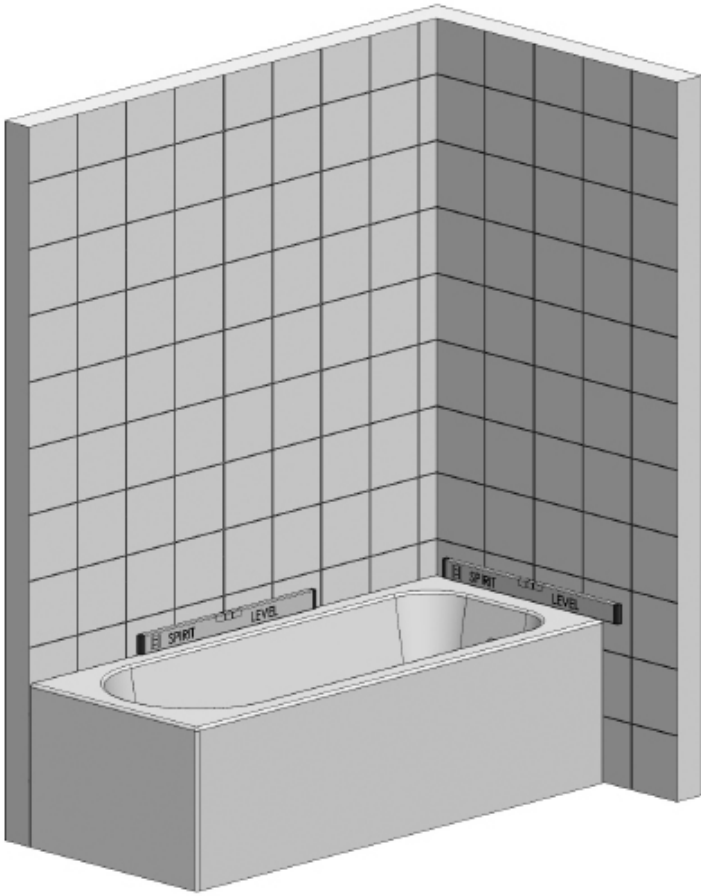
#### Fixing Kit Components (V8BS)

Description	Quantity
40mm Screws	3
Wall Plugs	3
9mm Screws	3
Screw Caps	3
Screw Bases	3
2.5mm Drill Bit	1
Universal Caps	1
Branding Badge (if applicable)	1

### CONSUMER GUARANTEE

Please make sure the purchaser/end user completes and returns the guarantee card which is enclosed with this product. Failure to validate the Guarantee will mean only the 1 Year Statutory Guarantee will apply.

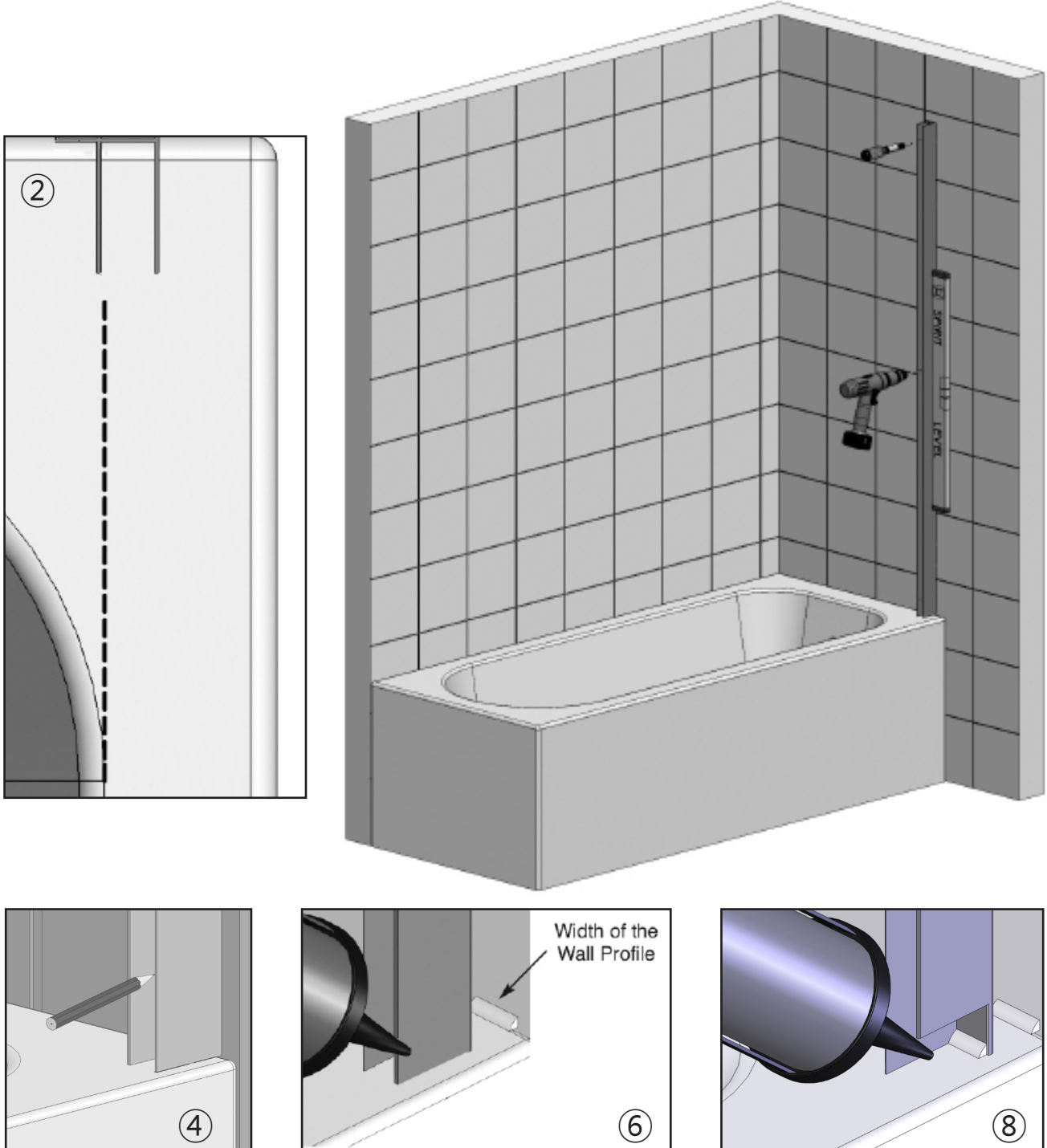
## Step 1 - Levelling/Sealing the Bath



1. Ensure the bath is completely level by using a Spirit Level.
  2. Check for any movement of the bath by standing in it and correct as necessary.
  3. The walls should be tiled and grouted up to the bath.
  4. Fill the bath with water to check the plumbing for leaks.
  5. With the bath full of water fully seal the bath along the top where it meets the tiled walls using a good quality bathroom sealant (not supplied).
  6. Leave the water in the bath and let the sealant cure for at least 24 hours before emptying.
- **Spray the seal and joints with the shower head to check for leaks after the sealant has cured.**
  - **Check the plumbing for leaks.**
  - **DO NOT plasterboard over the bath.**
  - **DO NOT grout the tiles after the Bathscren has been fitted as this may discolour the aluminium profiles.**
  - **Make sure the bath is installed as per the manufacture's instructions.**

## Step 2 - Fitting the Wall Profile

NOTE: When placing the wall profile on the bath, the shape of the bath has to be taken into consideration. If the inside of the bath is curved then the wall profile must line up with the curve nearest the outside of the bath.

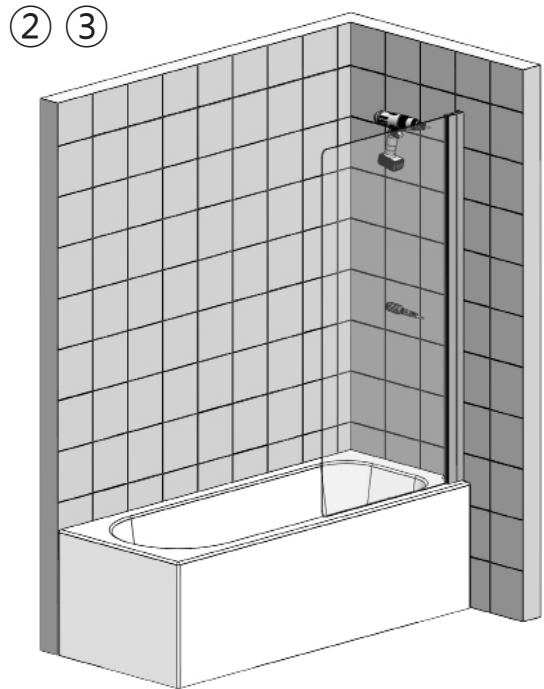
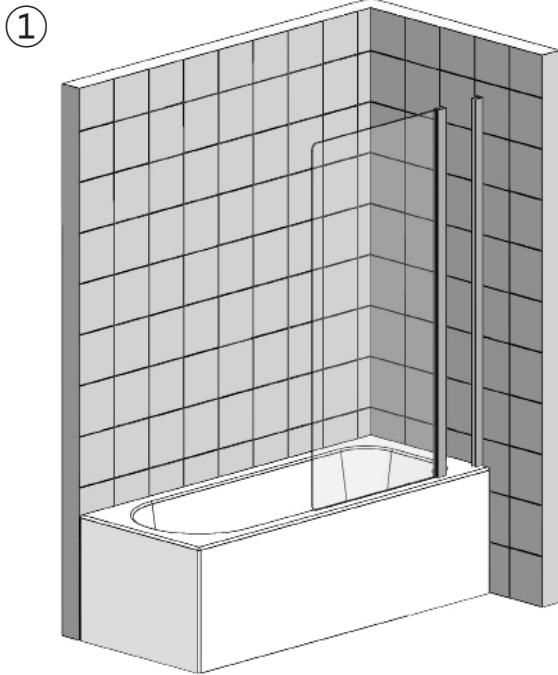


1. Decide which end of the bath is to be fitted with the Bathscren.
2. Position the inside edge of the wall profile in line with the inside edge of the bath (see note).
3. Make sure the wall profile is completely vertical by using a Spirit Level.
4. Using a pencil, mark the wall for the screw positions through the slots in the wall profile.
5. Drill the wall with a 6mm Masonry Drill (not supplied) and fit the wall plugs (supplied for brick and block).
6. Remove any debris and apply a bead of sealant the width of the wall profile where it meets the top of the bath and the tiled wall.
7. Screw fix the wall profile to the wall using the 40mm screws (supplied) ensuring it is kept vertical.
8. Apply a bead of sealant to the inside of the wall profile at the bottom where it meets the top of the bath.

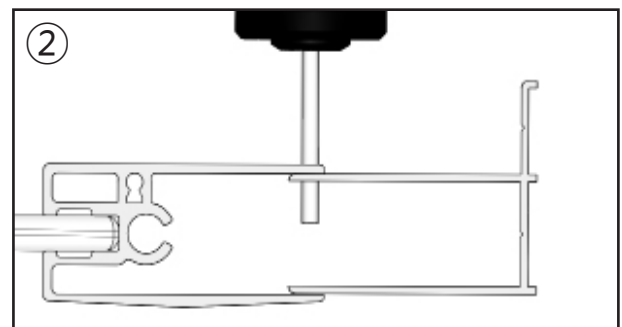
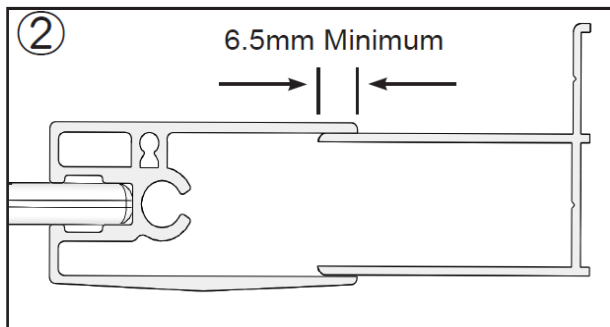
- **IMPORTANT: Failure to carry out stages 6 and 8 can result in serious water damage and is not covered under the terms of the guarantee.**
- **Make certain the wall profile is completely vertical using a Spirit Level ( the bubble should be in the centre of the two lines).**

## Step 3 - Fitting the Screen

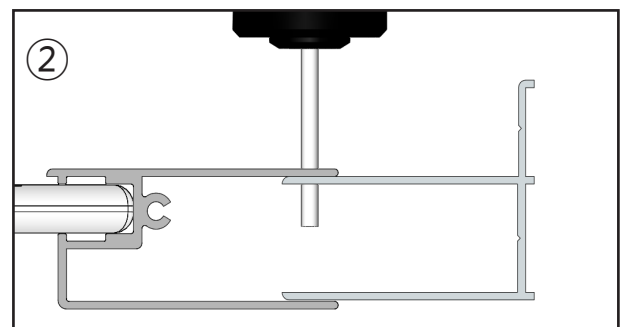
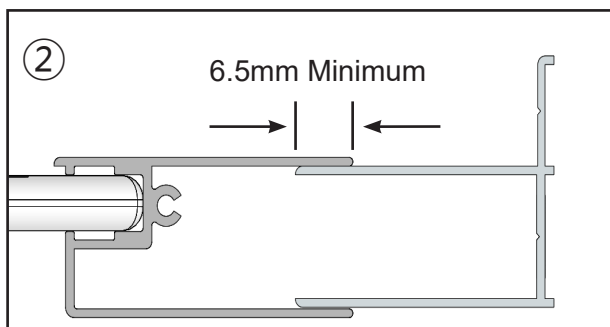
NOTE: 2 people will be required to carry out these operations. Some parts are hidden for clarity reasons.



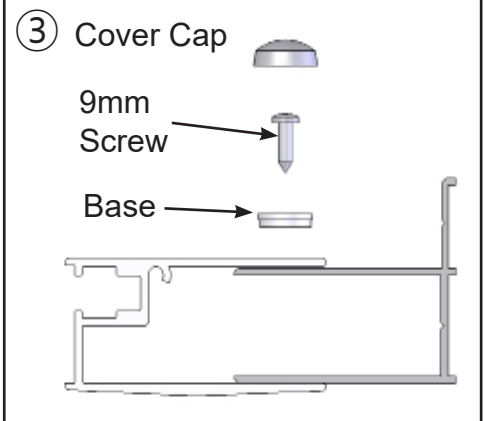
Type A



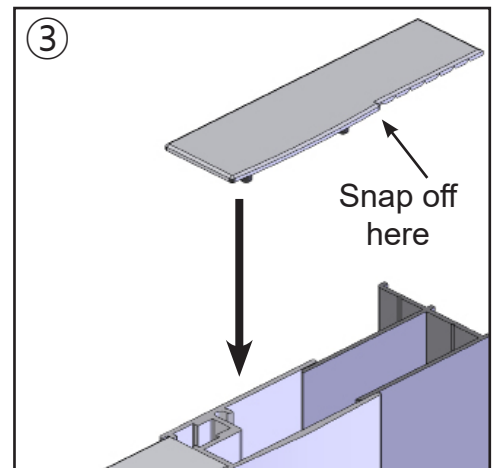
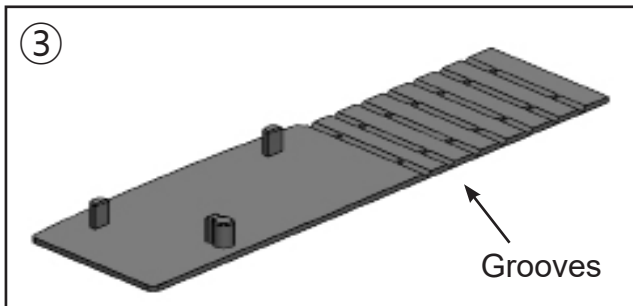
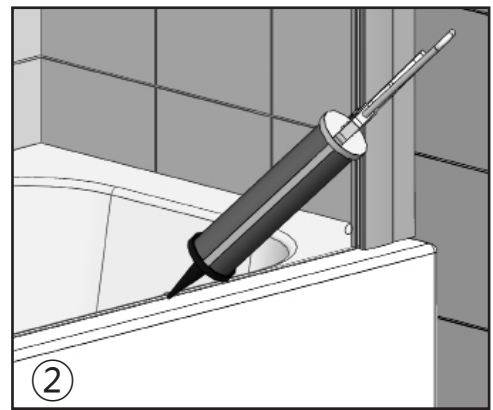
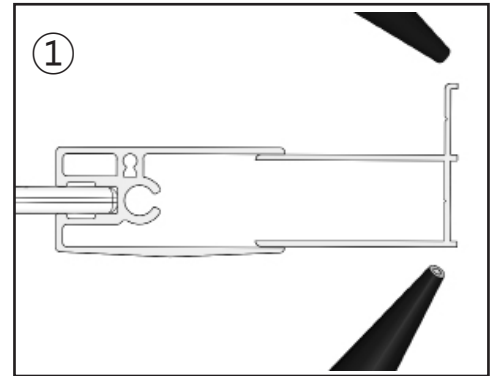
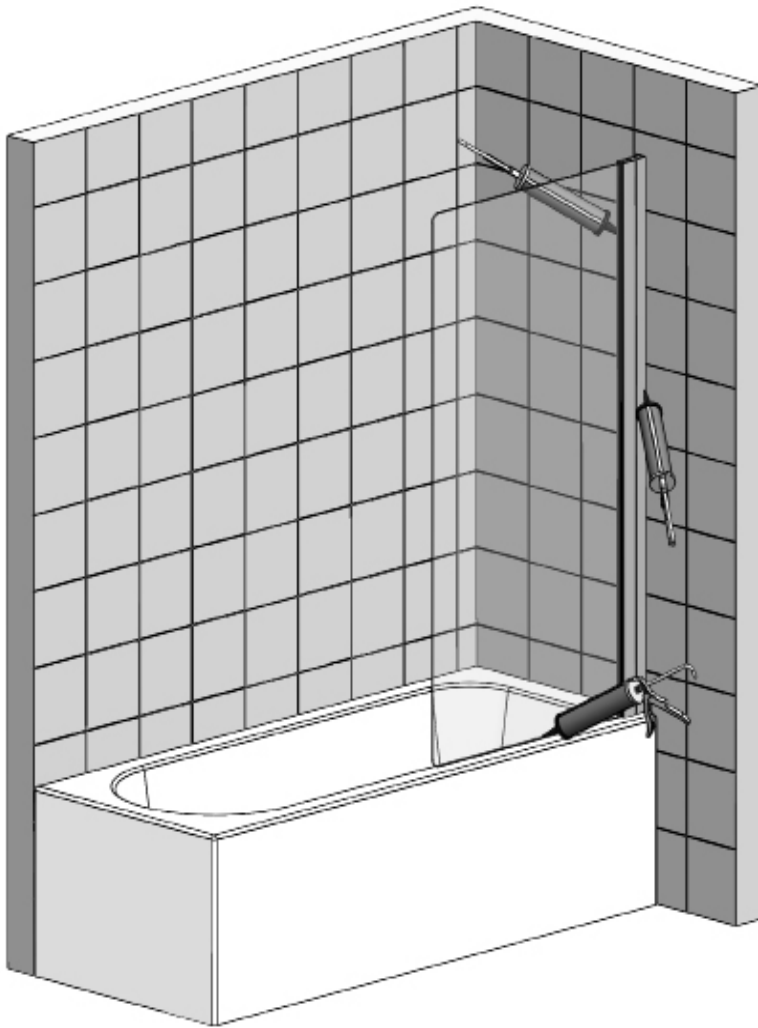
Type B



1. Lift the bathscreen assembly onto the bath and slide over the fixed wall profile making certain that the curved face is on the outside.
2. Approximately 100mm from the top and bottom and one in the centre drill through the Main vertical into the wall profile with the 2.5mm drill bit (supplied).
  - **Note: Please identify if profile is Type A or B**
  - **Note: There must be a minimum of 6.5mm between the main vertical and wall profile for fixing.**
3. Fit the screw bases to the 9mm screws and fasten the screen to the wall profile, push fit the Screw caps.



## Step 4 - Sealing and Top Cap



1. Using a good quality sealant, seal both sides of the wall profile vertically inside and outside where it meets the tiled wall.
2. Seal the base of the bathscreen to the top of the bath horizontally on the outside only.
  - **IMPORTANT: Failure to follow stages 1, and 2 may result in serious water damage and will not be covered under the terms of the guarantee.**
3. The top caps have grooves and can be shortened by snapping off at these points ( A small amount of sealant should help keep the cap in place)



## TROUBLE SHOOTING GUIDE

Problem	Solution
<b>Leaking</b>	<ol style="list-style-type: none"><li>1. Check the bath has been sealed correctly prior to installation of the bathscreen.</li><li>2. Check that the inside gap between the Tray and Wall profiles has been sealed correctly.</li><li>3. Check that the base of the bathscreen is sealed to the top of the bath outside only.</li><li>4. Check to see if the wall profile has been sealed vertically inside and outside where they meet the tiled wall.</li><li>5. Check that the wall profile and main vertical has been sealed on the inside.</li></ol> <p><b>Important: This enclosure should be water tested conforming to BS EN 14428</b></p>
<b>Bathscreen Alignment</b>	<ol style="list-style-type: none"><li>1. Check that the bathscreen has been fitted onto a tiled wall or similar sealed surface.</li><li>2. Check that the wall profile has been fitted in line with the inside edge of the bath.</li><li>3. Check that the wall profile has been fitted completely vertical (the bubble must be in the centre of the 2 lines on the spirit level).</li></ol>

### Some important information to help you Maintain your product.

The following information is all you need to keep your product looking new.

Clean your product using a mild detergent diluted in water and then polished off using a soft cloth.

If you live in a hard water area, periodically clean your product using a 50/50 solution of white vinegar and water. The solution should be left on the enclosure for approximately 5 minutes then rinsed off using warm water. This method of cleaning should remove lime scale residue.

### Simple Maintenance

Our products are generally maintenance free, however it may be necessary to lubricate wheel assemblies and other moving parts from time to time.

It is strongly recommended that a quality silicone spray is used.

### A list of Don't's:

1. Don't use acidic based products which are unsuitable for cleaning enamel surfaces.
2. Don't use abrasive cleaners or cleaners using bleach or solvents, these products will adversely affect the finish of the aluminium profiles.
3. Don't use scouring pads, powder or any sharp instruments when cleaning the enclosure.

Should you experience any problems during installation please refer to the Trouble Shooting Guide or contact Customer Relations on:

**+44 (0) 1325 328033**

To enable customer relations to provide you with an excellent level of service it is important that you quote your product Code and Reference Number - these can be found on the Guarantee card.