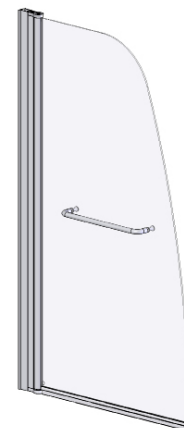
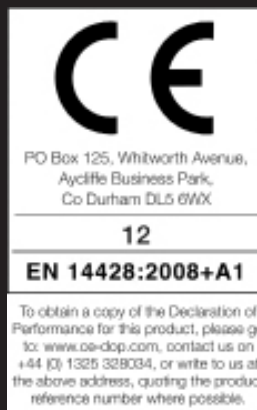


# Bath Screen

## Instruction Manual

### H2D1



## IMPORTANT INFORMATION

- Toughened glass is completely safe for use in our shower enclosures and bath screens; providing our products are installed according to our guidelines.
- It is important to note that the glass must not be mounted or 'pinched' in such a way that would cause a stress point to develop in the glass. In addition, it must not be subject to any sharp impact or severe temperature fluctuation which may also cause a stress point to develop in the glass.
- Toughened glass is physically and thermally significantly stronger than standard glass. During the toughening process the stresses contained within any glass are balanced so if in the unlikely event situation any of the above occurs and the glass breaks, the glass will shatter safely into small thumbnail sized blunt fragments.
- This product is **NOT** recommended for use with pumped or pressurised systems.

### PRE-INSTALLATION CHECKS

- Check you have the correct product. Please look at the labels on the side of the product packaging.
- Check all the product components are in the box and the fixing kits.
- Unpack your product and handle it with care.
- Please check the product for defects or damage, once the installation has commenced we cannot accept responsibility for any defects or damage.
- Please take time to read these instructions prior to installing your product.
- Before you commence any drilling check there are no hidden electrical cables and/or water pipes.
- No attempt should be made to re-work the toughened safety glass.
- The installation of the product should be performed by two persons.
- It is strongly recommended that the walls the product is going to be installed on are vertical.
- It is strongly recommended the product is fitted on a tiled surface or similar waterproof surface.
- It is strongly recommended the walls are tiled and grouted before the product is installed.
- If the walls and/or the tray are not level you will not achieve maximum adjustment of the product.
- Pictures used are for illustration purposes only, product designs may alter slightly as a result of continuing product development.
- We do not stipulate where the European Standard Kite Mark should be positioned on the glass when being factory assembled.
- Please note that some natural misting may occur when you remove this product from its packaging, due to the addition of the glass protection pre-coating. If this does occur this can easily be removed with a soft, dry cloth.

#### Component Check List: Supplied

Description	Quantity
Wall Profile	1
Bathscreen	1
Towel Rail	1
Bottom Seal	1
Main Vertical Profile	1

#### Equipment Check List: Not Supplied

Description
Electric / Battery Drill
Spirit Level
Screwdriver
Sealant
Sealant Gun
Tape Measure
Pencil
6mm Masonry Drill Bit

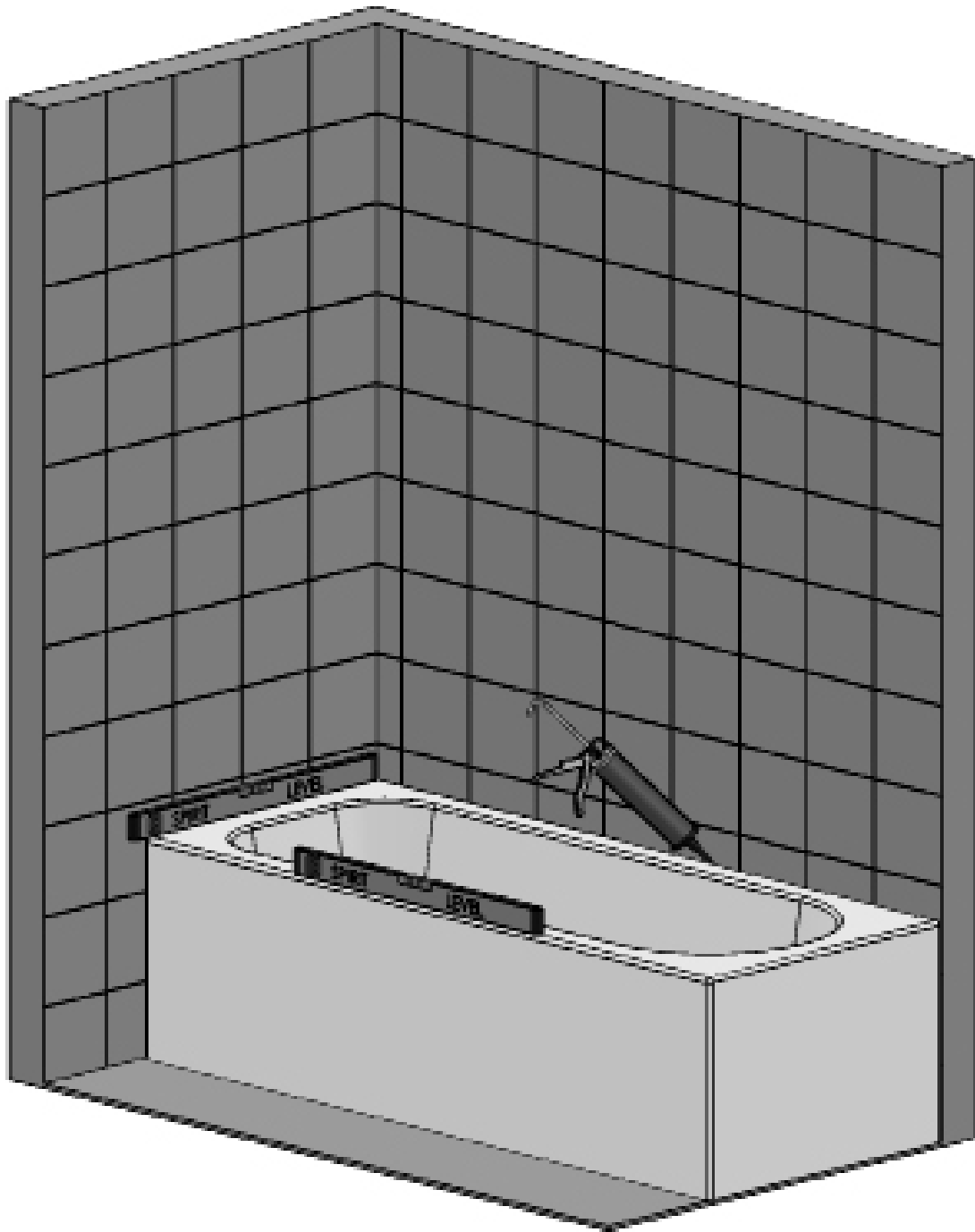
#### Fixing Kit Components

Description	Quantity
Wall Plugs	3
45mm Screws	3
9mm Screws	3
No8 x 1½" Countersink Screws	2
Top and Bottom Pivot Mouldings	1 of each
Screw Bases	3
Screw Cover Caps	3
2.5mm Drill Bit	1

## CONSUMER GUARANTEE

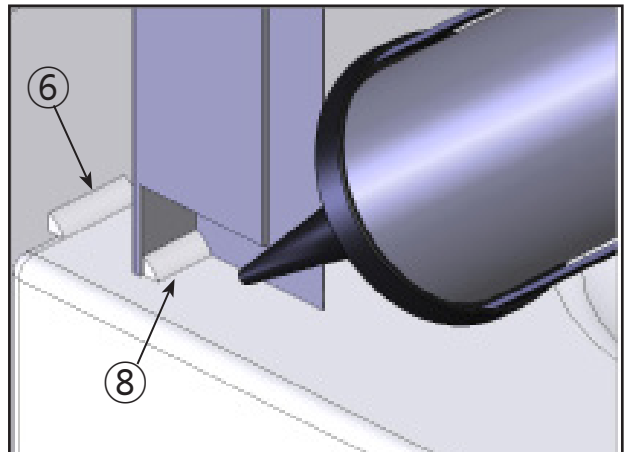
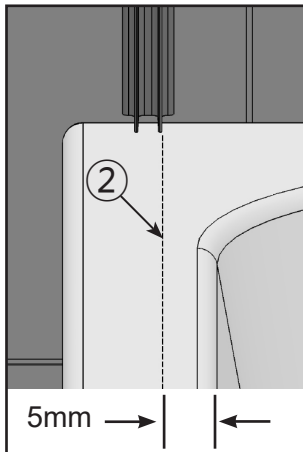
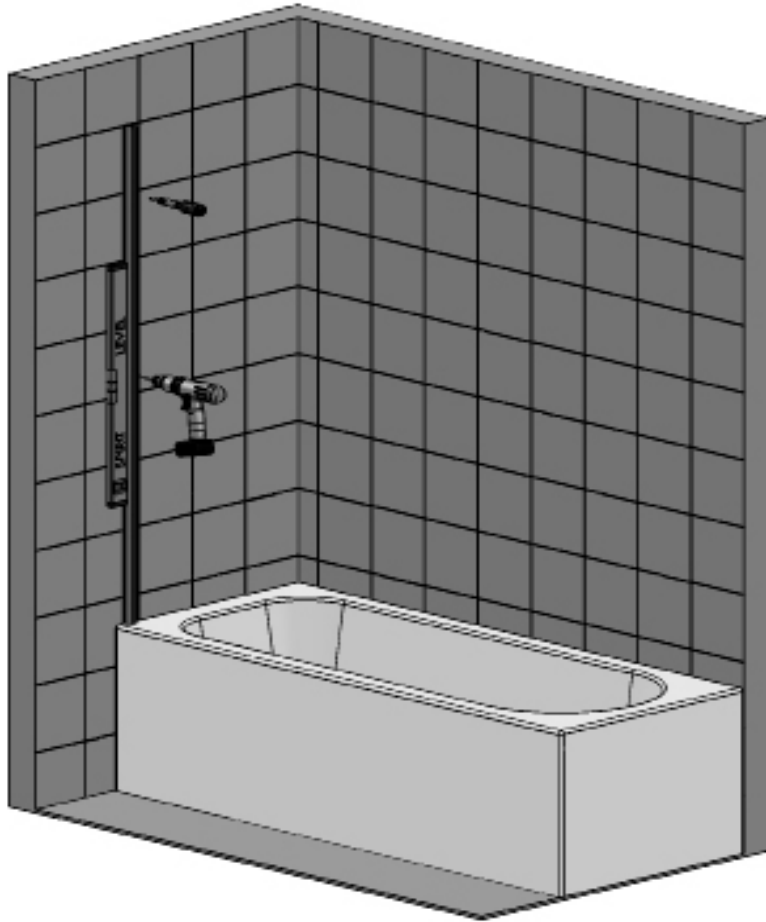
Please make sure the purchaser/end user completes and returns the guarantee card which is enclosed with this product. Failure to validate the Guarantee will mean only the 1 Year Statutory Guarantee will apply.

## IMPORTANT PRE-INSTALLATION CHECKS



1. Ensure the bath is completely level.
  2. Check for any movement in the bath by standing in it.
  3. The walls should be tiled and grouted up to the bath.
  4. Fill the bath with water and check the plumbing for leaks.
  5. With the bath full of water, fully seal the bath along the tiled wall with a bathroom sealant (not supplied).
  6. With the water still in the bath leave the sealant to cure for at least 24 hours.
- **Spray the seal and joints with the shower head and check for leaks when the silicon has cured.**
  - **Check the plumbing for leaks.**
  - **Do not plasterboard over the bath.**
  - **Do not grout the tiles when the bath screen has been fitted, the grout may discolour the aluminium profiles.**
  - **Make sure the bath is installed to the manufacturers instructions.**

## Step 1 - Fixing Wall Profile

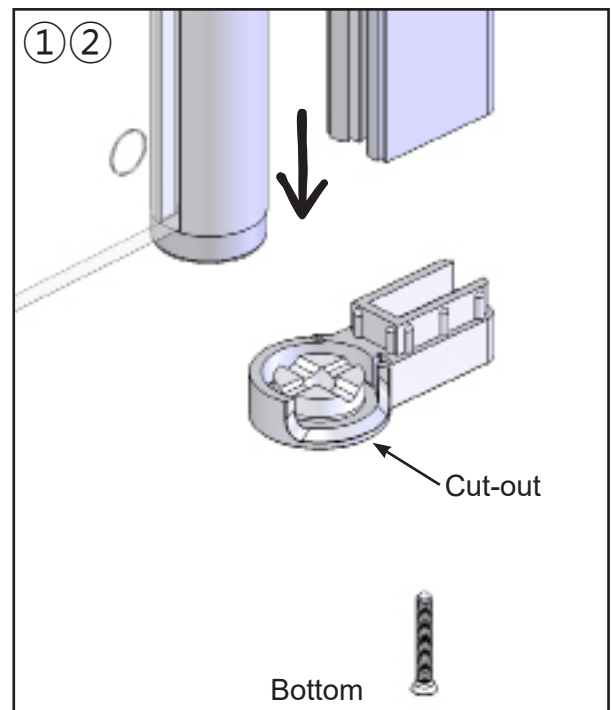
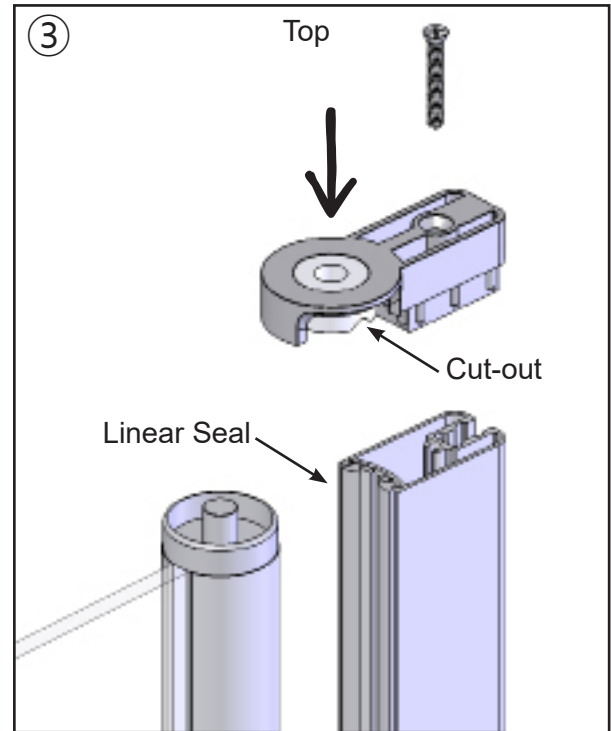
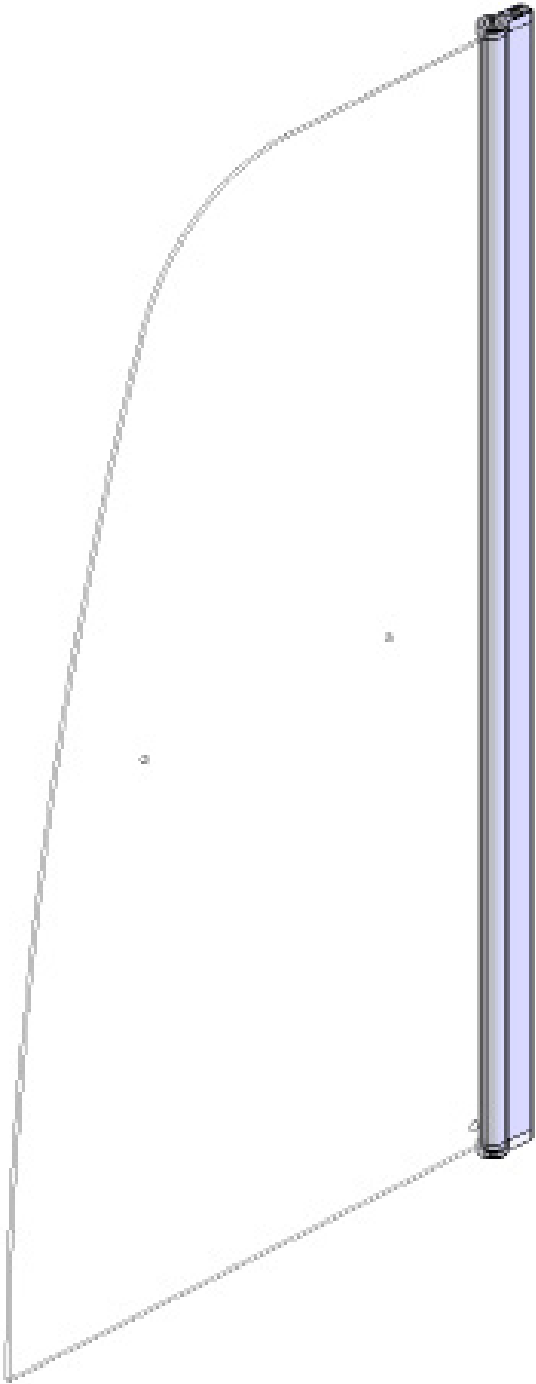


1. Decide which end of the bath is to be fitted with the Bath screen.
2. Position the inside edge of the wall profile 5mm in from the inside edge of the Bath (as shown).
3. Make sure the wall profile is vertical using a spirit level.
4. Using a pencil mark the locations for the drill holes through the slots of the wall profile.
5. Drill the holes using a 6mm masonry drill (not supplied); push the wall plugs (supplied) into the drilled holes.
6. Apply a bead of sealant the width of the wall profile at the bottom where the wall profile meets the tiled wall.
7. Screw fix the wall profile to the wall using the 40mm screws (supplied) ensuring it is vertical.
8. Apply a bead of sealant to the inside of the wall profile at the bottom where it meets the Bath top.

**Important:** The wall profile must be completely vertical (the bubble should be in the centre of the 2 lines on the spirit level). The sealant must be applied in steps 6 and 8; failure to follow out this procedure may result in serious water damage and is not covered under the terms of the guarantee.

## Step 2 - Assemble the Bathscreen

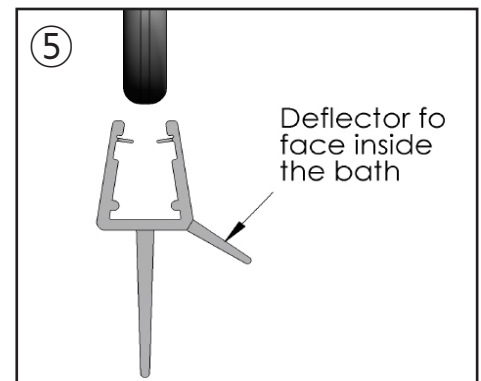
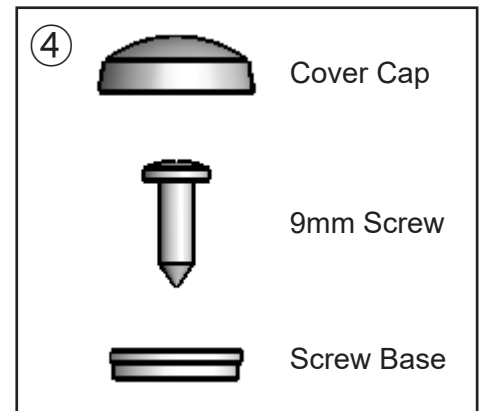
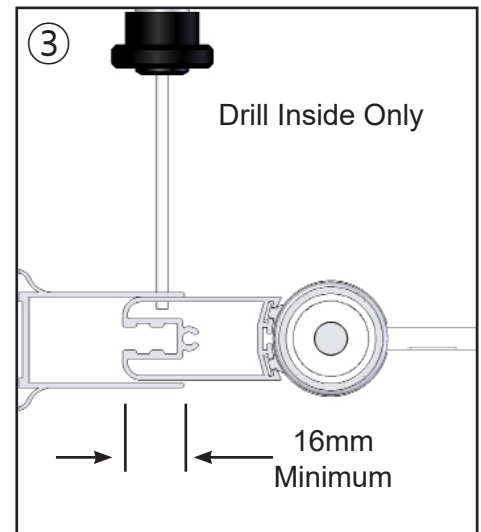
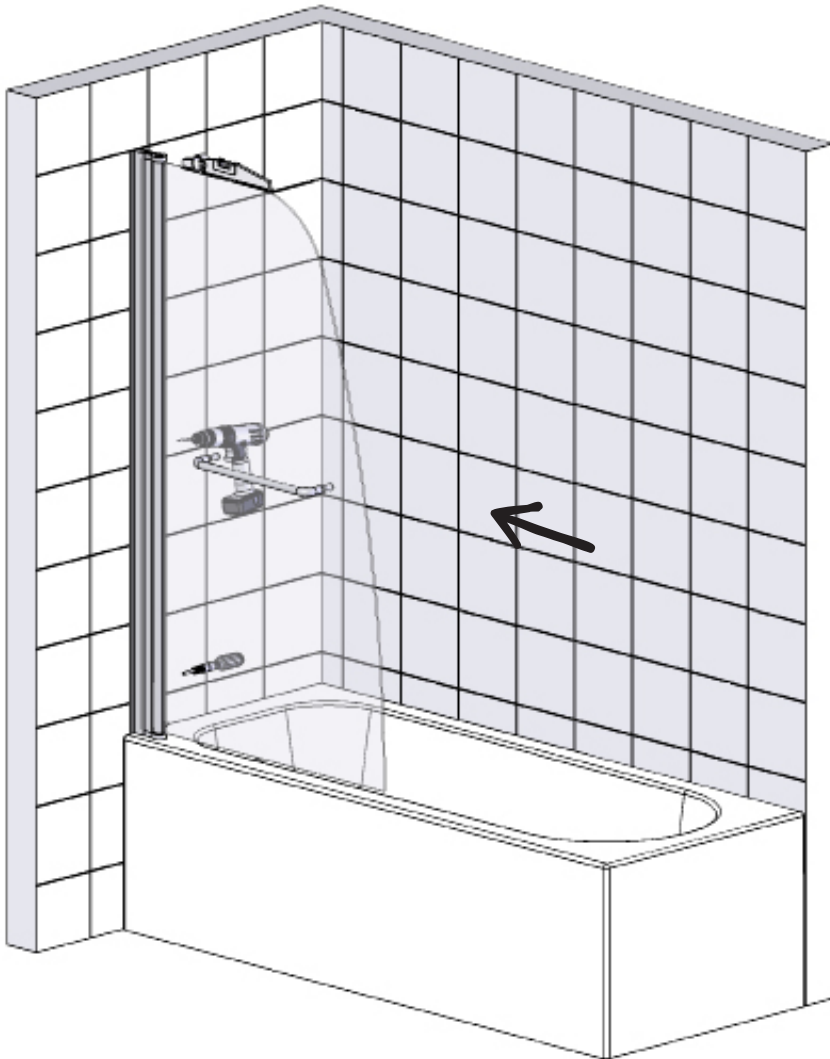
IMPORTANT: This is a view of the inside. 2 people may be required to do this.



1. Place the Bottom Pivot Moulding into the Main Vertical Profile and secure using the No8 x 1½" Screw.
  - **NOTE: Ensure that the cut-outs on the Pivot Mouldings are on the inside towards the bath.**
2. Place the Bathscreen into the Bottom Pivot Moulding.
3. Place the Top Pivot Moulding onto the top of the Bathscreen and at the same time into the top of the Main Vertical Profile and secure with the remaining No8 x 1½" Screw.
  - **IMPORTANT: Ensure that the 2 lengths of Linear Seal are fitted.**

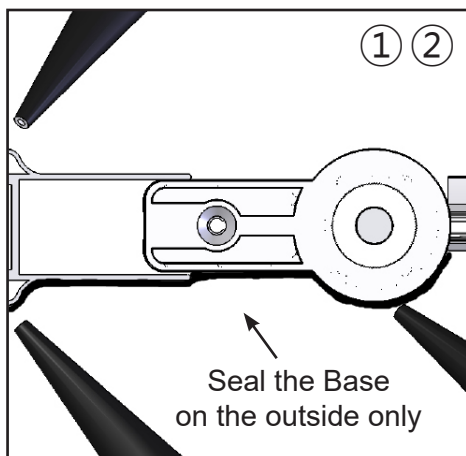
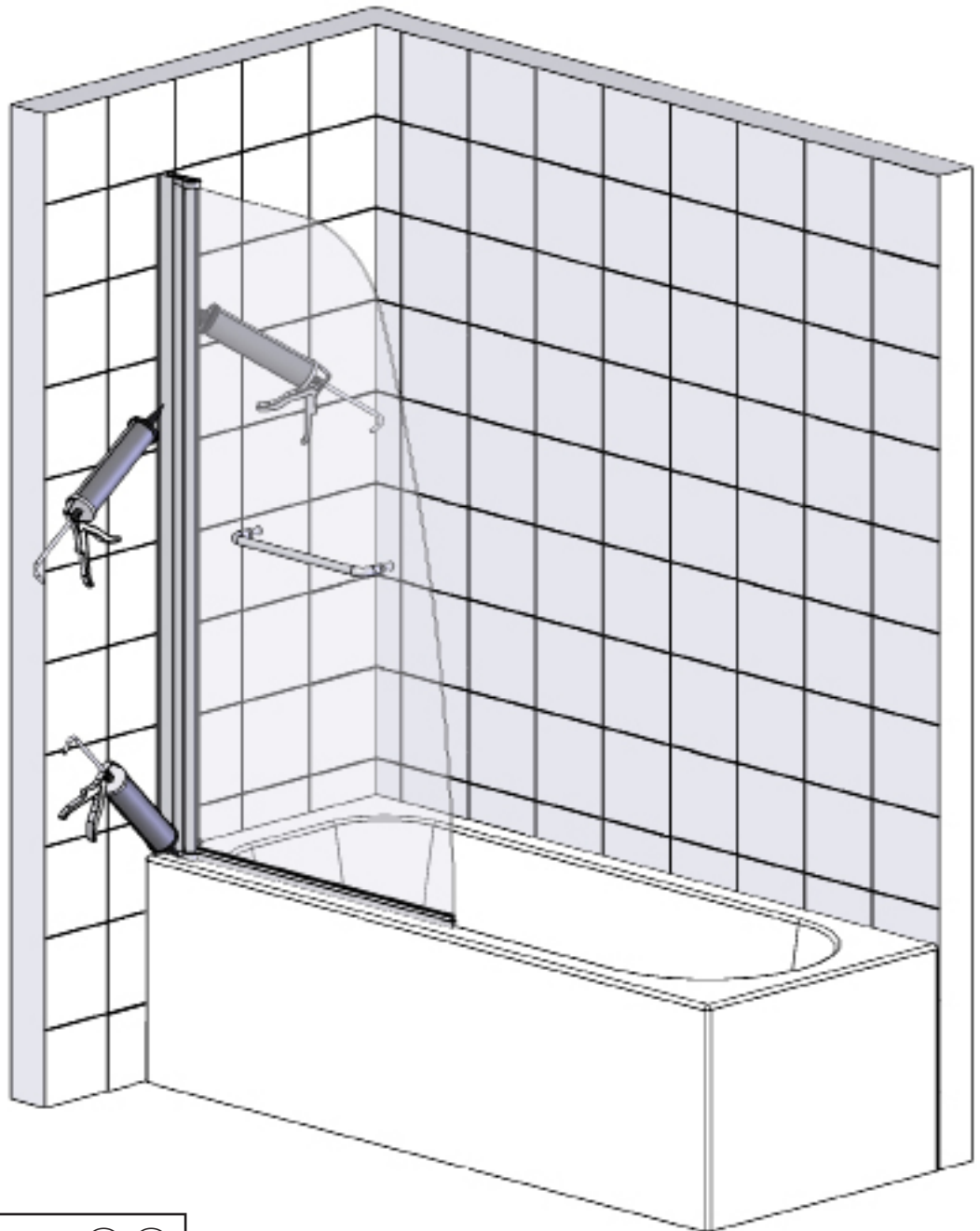
## Step 3 - Fitting the Bathscreen

NOTE: 2 people may be required to do this.



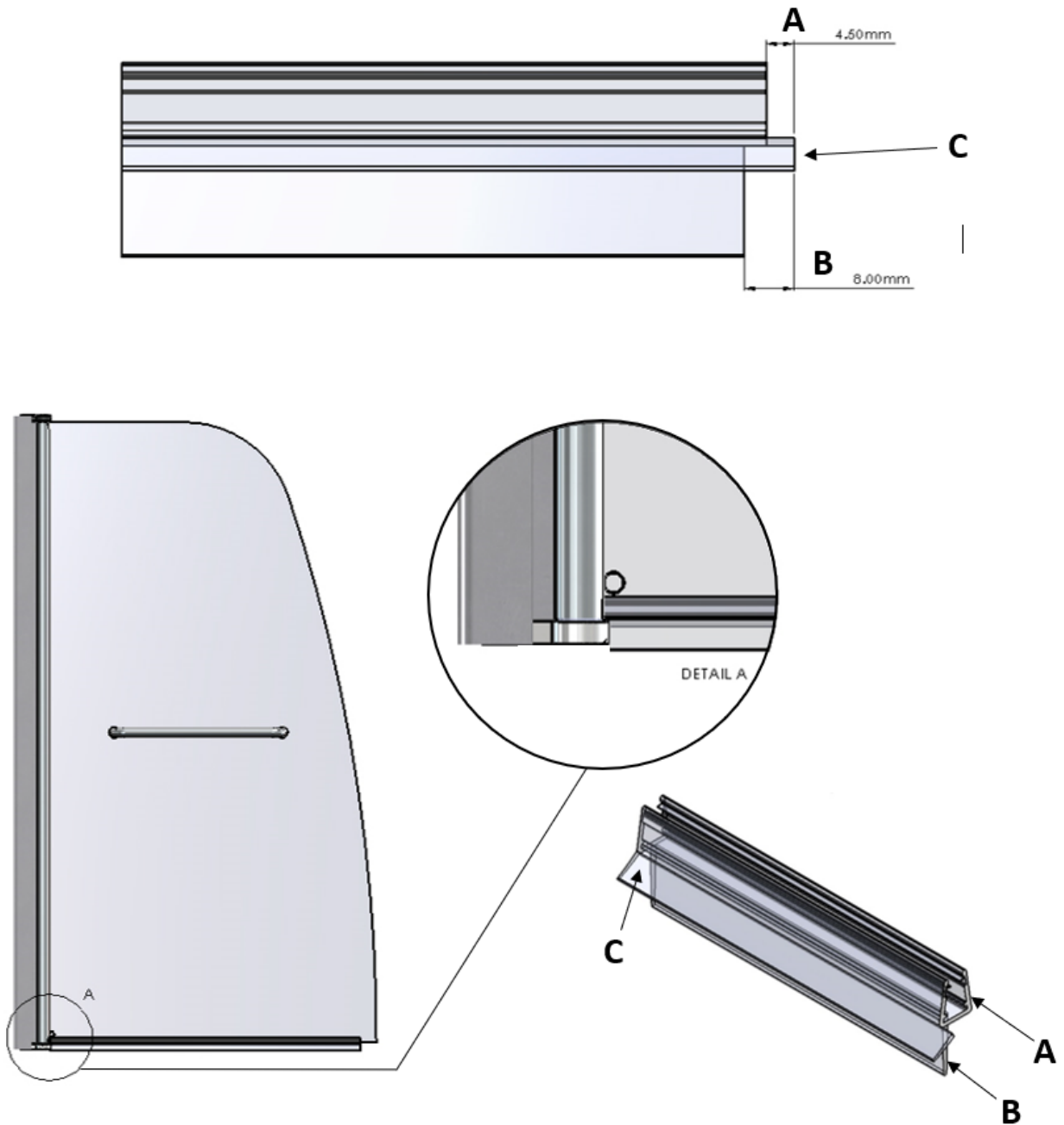
1. Remove the Towel Rail from its packaging and disassemble, reassemble onto the Bathscreen making sure to keep the gaskets between the glass and metal parts.
  - **NOTE: Fitting the Towel Rail at this stage will help with lifting and holding the Bathscreen.**
2. Carefully lift the Bathscreen onto the bath and place into the Wall Profile.
3. Keep the Bathscreen completely level using a Spirit Level and drill 3 holes through the Wall Profile into the Main Vertical Profile (Drill on the inside of the Bathscreen only). Drill the 2.5mm holes approximately 50mm from the top and bottom and the other in the centre.
  - **Ensure the Bathscreen is kept level using a Spirit Level and that the bottom of the glass is parallel to the top of the bath (the bubble on the Spirit Level should be in the centre of the 2 lines).**
  - **There must be a minimum of 16mm for the drilling of the 2.5mm holes.**
4. Place the Screw Bases onto the 9mm screws and secure the Bathscreen to the Wall Profile, push fit the Cover Caps to conceal the screw heads.
5. Push fit the Bottom Seal onto the Bottom of the glass and ensure that it butts up to the circular tube which is bonded onto the glass (Trim to length if required, please take care when cutting).
  - **Ensure that the deflector is placed on the inside towards the Bath.**

## Step 4 - Sealing



1. Using a Bath Room Sealant seal the Wall Profiles to the tiled walls both inside and outside vertically.
2. Seal the base of the Bath Screen to the top of the bath on to outside only.
  - **IMPORTANT: DO NOT** seal the base of the Bath Screen to the inside as this is a self draining unit.
  - **Failure to comply may result in serious water damage and will not covered by the terms of the guarantee.**
3. Please allow 24 hours for the sealant to fully cure prior to using the Bath Screen.

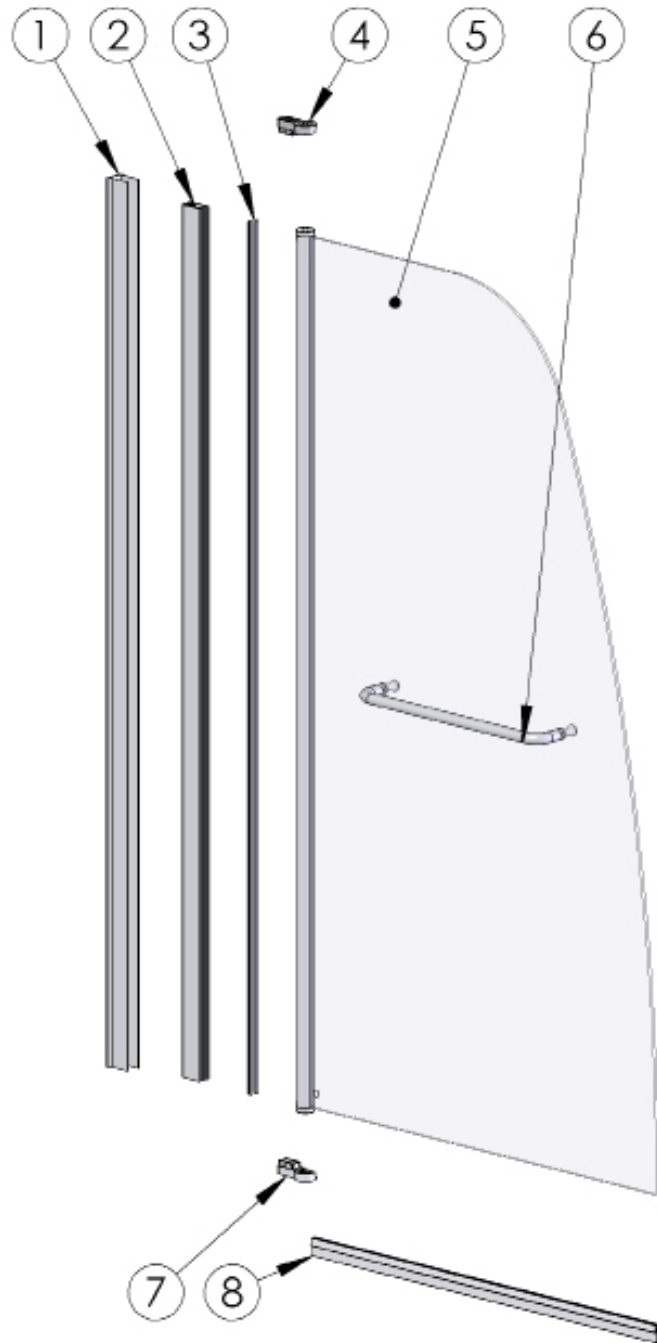
## Seal Rebating Instructions



1. Cut and reduce seal channel, part **A** by 4.5mm, take care not to remove part **C**.
2. Cut and reduce part **B** by 8mm. Take care not to remove part **C**.
3. Attach seal to bottom of the Haven screen, ensuring seal is pushed up to the bottom pivot moulding to minimise water egress.

## Spare Parts

If you need to replace any damaged parts please see illustration below for parts list then call Customer Relations on 01325 328033



Part No.	Description	Qty	Part No.	Description	Qty	Part No.	Description	Qty
1	Wall Profile	1	11			21		
2	Main Vertical Profile	1	12			22		
3	Linear Seal	2	13			23		
4	Top Pivot Moulding	1	14			24		
5	Bath Screen	1	15			25		
6	Towel Rail Assembly	1	16					
7	Bottom Pivot Moulding	1	17					
8	Bottom Seal	1	18					
9			19					
10			20					

## TROUBLE SHOOTING GUIDE

Problem	Solution
<b>Leaking</b>	<ol style="list-style-type: none"><li>1. Check that the inside gap between the Bath and Wall profile has been sealed correctly.</li><li>2. Ensure the Bath is sealed along the tiled walls prior to installation.</li><li>3. If the inside joint between the Bath Screen and the Bath top is sealed, this will cause leakage - sealant must be removed.</li><li>4. Ensure the Wall Profile on the tiled wall is sealed both vertically inside and outside.</li><li>5. Ensure the bottom between the Bath Screen and Bath top is sealed on the outside only.</li></ol> <p><b>Important: This enclosure should be water tested conforming to BS EN 14428</b></p>
<b>Alignment on the Bath</b>	<ol style="list-style-type: none"><li>1. Is the Bath Screen fitted onto a tiled wall?</li><li>2. Is the Wall Profile fitted 5mm from the inside edge of the Bath?</li><li>3. Is the wall profile completely vertical?</li></ol>

### Some important information to help you Maintain your product.

The following information is all you need to keep your product looking new.

Clean your product using a mild detergent diluted in water and then polished off using a soft cloth. If you live in a hard water area, periodically clean your product using a 50/50 solution of white vinegar and water. The solution should be left on the enclosure for approximately 5 minutes then rinsed off using warm water. This method of cleaning should remove lime scale residue.

### Simple Maintenance

Our products are generally maintenance free, however it may be necessary to lubricate wheel assemblies and other moving parts from time to time.

It is strongly recommended that a quality silicone spray is used.

### A list of Don't's:

1. Don't use acidic based products which are unsuitable for cleaning enamel surfaces.
2. Don't use abrasive cleaners or cleaners using bleach or solvents, these products will adversely affect the finish of the aluminium profiles.
3. Don't use scouring pads, powder or any sharp instruments when cleaning the enclosure.

Should you experience any problems during installation please refer to the Trouble Shooting Guide or contact Customer Relations on:

**+44 (0) 1325 328033**

To enable customer relations to provide you with an excellent level of service it is important that you quote your product Code and Reference Number - these can be found on the Guarantee card.