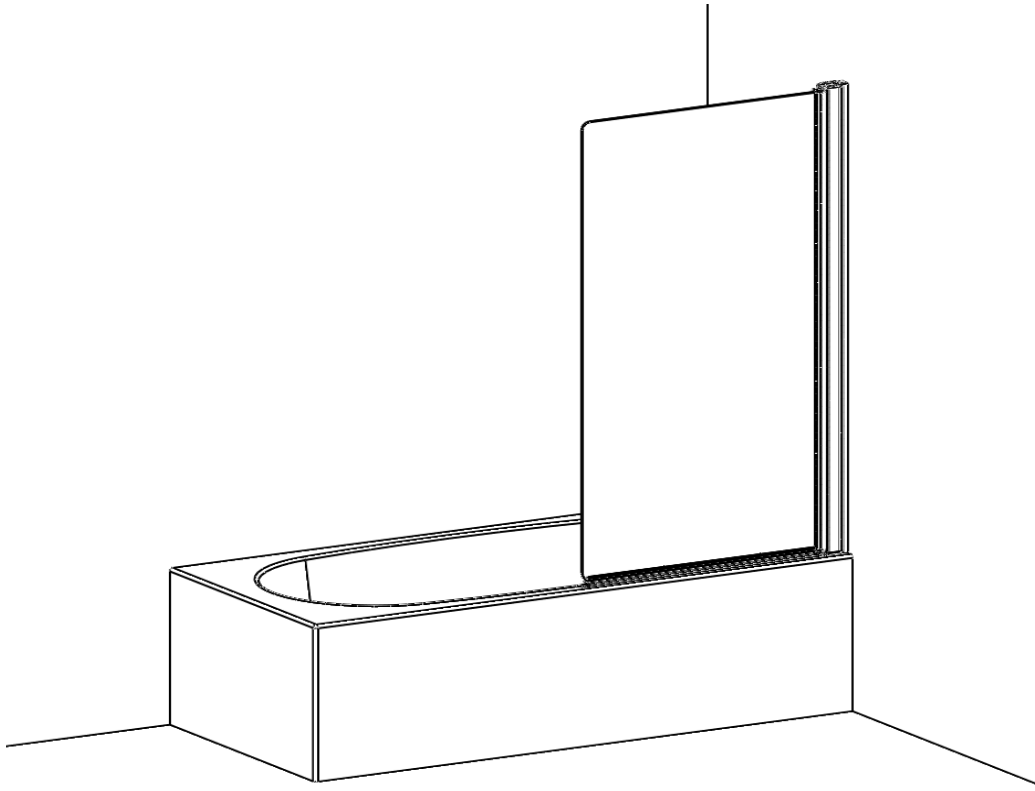


# V8B & H4D3 Bath Screen Instruction Manual

---



## Handling

Be aware toughened glass can shatter if not handled correctly. It should not be subjected to any sharp impact and it is essential to protect the glass by resting it on a soft protective surface during installation such as cardboard or carpeting. It is recommended to wear PPE at all times during installation.



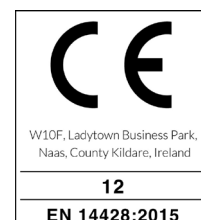
## Pre-Installation Checks

1. Please take time to read these instructions prior to installing your product, including the Tray Sizes section below.
2. Check you have the correct product, by looking at the labels on the side of the product packaging.
3. Check all the product components and fixing kits are in the box - these are listed on the next page.
4. Please check the product for defects or damage, once the installation has commenced we cannot accept responsibility for any defects or damage.
5. Before you commence any drilling check there are no hidden electrical cables and/or water pipes.
6. No attempt should be made to re-work the toughened safety glass.
7. The installation of the product should be performed by two persons.
8. It is strongly recommended the product is fitted on a tiled surface or similar waterproof surface - which are tiled and grouted before product is installed.
9. It is strongly recommended that the walls the product is going to be installed on are vertical, and the floor/tray is level.
10. Please note that some natural misting may occur when you remove this product from its packaging, due to the addition of the glass protection pre-coating. If this does occur this can easily be removed with a soft, dry cloth.

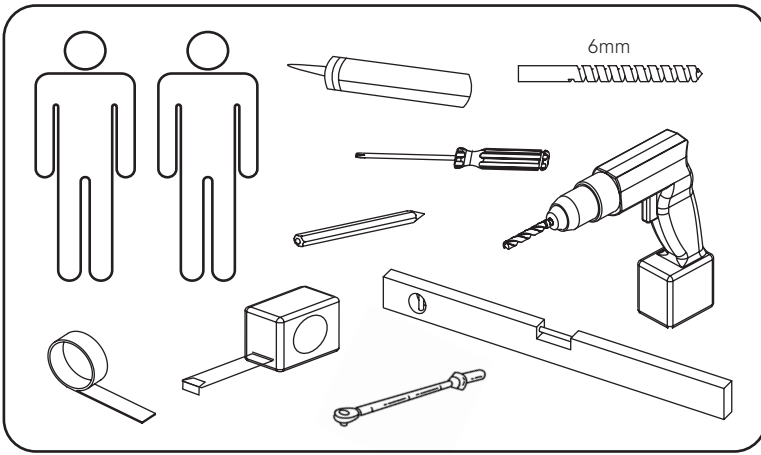
---

## Consumer Guarantee

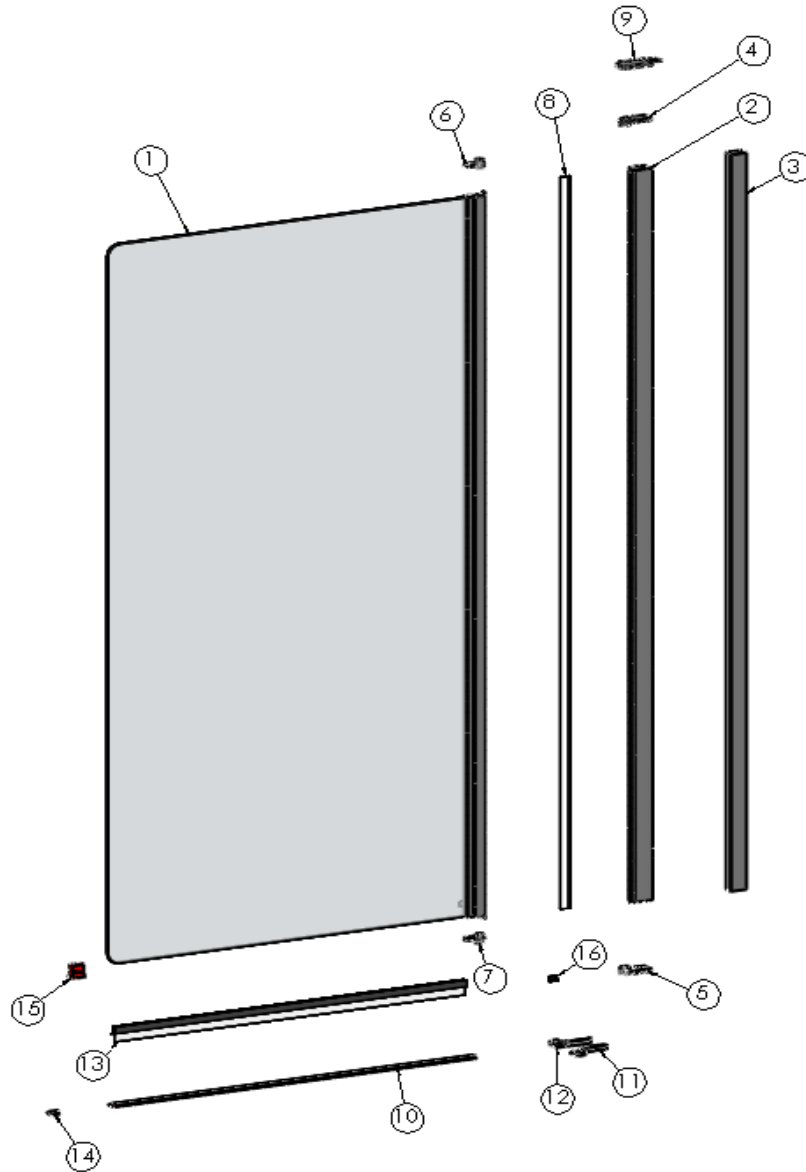
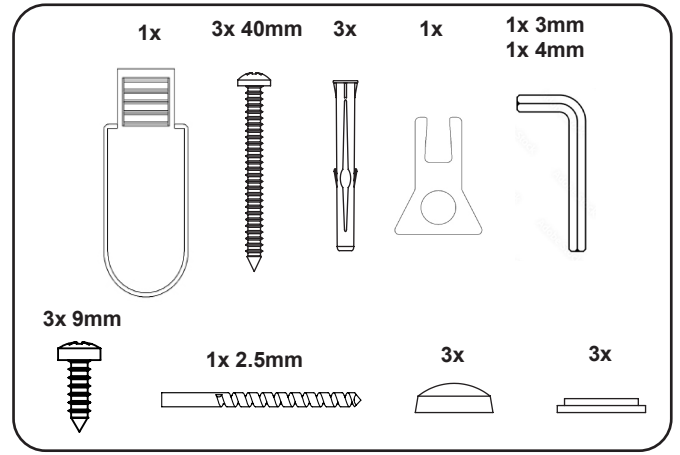
Please make sure the purchaser/end user completes and returns the guarantee card which is enclosed with this product. Failure to validate the Guarantee will mean only the 1 Year Statutory Guarantee will apply.



## Equipment Checklist: Not Supplied

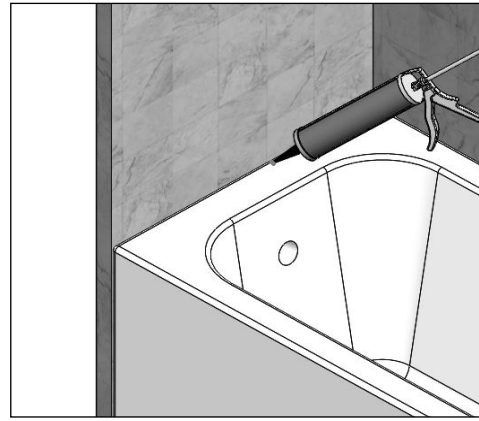
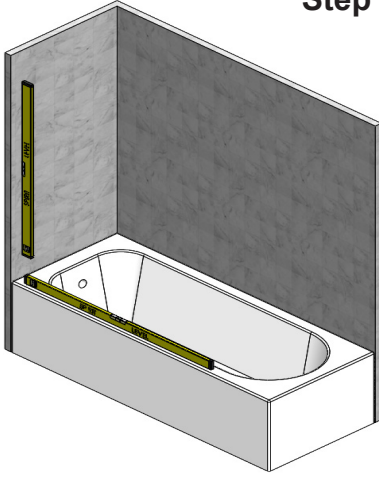


## Fixing Kit Components



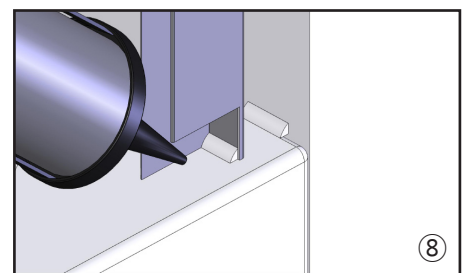
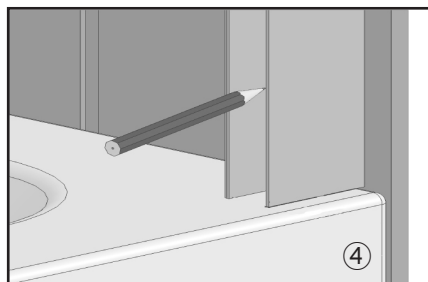
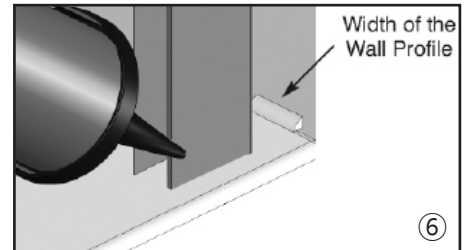
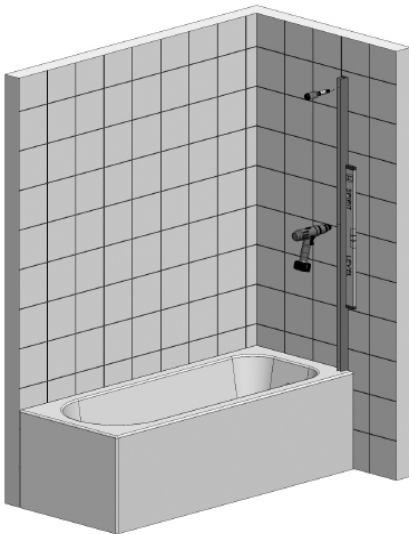
Part No.	Description	Qty	Part No.	Description	Qty	Part No.	Description	Qty
1	Screen Assembly	1	11	Dam (Left Hand)	1	21	-	-
2	Main Vertical	1	12	Dam (Right Hand)	1	22	-	-
3	Wall Profile	1	13	Bottom Seal	1	23	-	-
4	Main Cap (Left Hand)	1	14	End Cap	1	24	-	-
5	Main Cap (Right Hand)	1	15	Setting Block	1	25	-	-
6	Pivot Cap (Left Hand)	1	16	Dam Seal	1	26	-	-
7	Pivot Cap (Right Hand)	1	17	-	-	27	-	-
8	Tube Seal	1	18	-	-	28	-	-
9	Top Cap	1	19	-	-	29	-	-
10	Bath Top Strip	1	20	-	-	30	-	-

## Step 1 - Pre-Installation Checks



1. Make sure the bath is installed as per the manufacturer's instructions.
2. Check your Bath and Walls are level on all sides (the bubble on the spirit level must be in the centre of the 2 lines).
  - If the Bath & Tray are not level you will not achieve any adjustment.
3. Stand in the tray and check that there is no adverse movement (correct if necessary).
4. The walls should be tiled and grouted up to the bath.
5. The tiles and the bath should be sealed using a good quality bathroom sealant:
  - Spray the seal and joints with the shower head and check for leaks when the silicon has cured.
  - Check the plumbing for leaks.
  - DO NOT plasterboard over the tray.
  - DO NOT grout the tiles when the enclosure has been fitted, the grout may discolour the aluminium profiles.

## Step 2 - Wall Profile Positioning

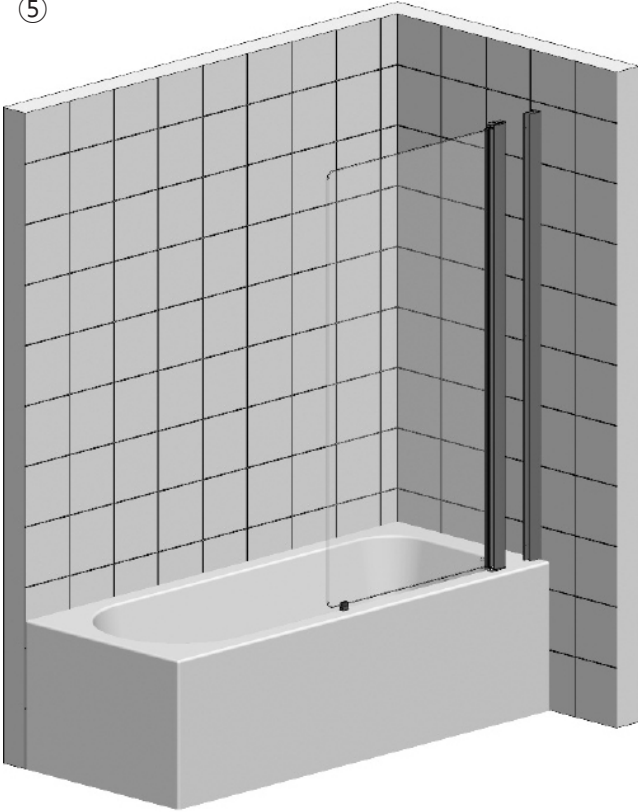


1. Decide which end of the bath is to be fitted with the Bathscreen.
2. Position the inside edge of the wall profile in line with the inside edge of the bath (see note).
  - **IMPORTANT: The Wall Profile has a two different sized legs, please ensure when fitting, the longer leg is to the outside of the bath.**
3. Make sure the wall profile is completely vertical by using a Spirit Level.
4. Using a pencil, mark the wall for the screw positions through the slots in the wall profile.
5. Drill the wall with a 6mm Masonry Drill (not supplied) and fit the wall plugs (supplied for brick and block).
6. Remove any debris and apply a bead of sealant the width of the wall profile where it meets the top of the bath and the tiled wall.
7. Screw fix the wall profile to the wall using the 40mm screws (supplied) ensuring it is kept vertical.
8. Apply a bead of sealant to the inside of the wall profile at the bottom where it meets the top of the bath.
  - **IMPORTANT: Failure to carry out stages 6 and 8 can result in serious water damage and is not covered under the terms of the guarantee.**
  - **Make certain the wall profile is completely vertical using a Spirit Level ( the bubble should be in the centre of the two lines).**

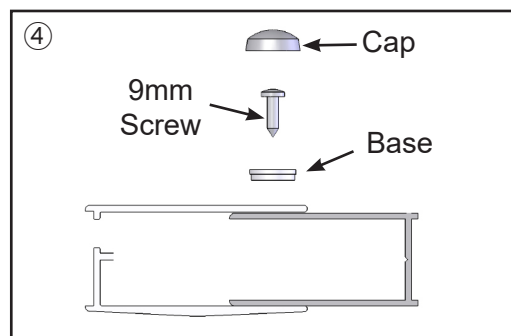
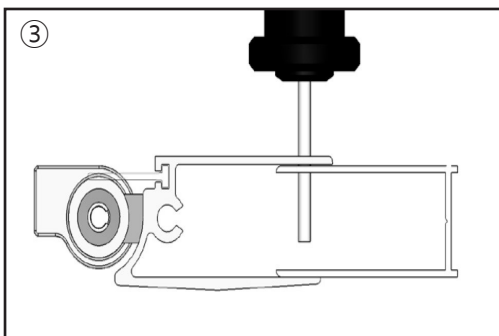
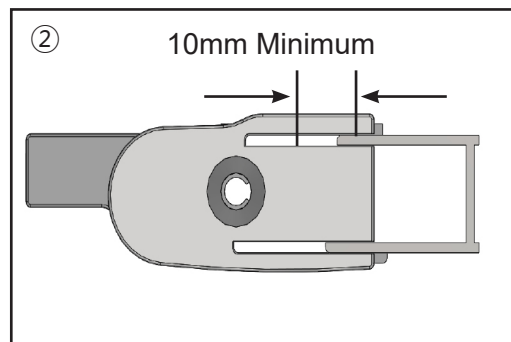
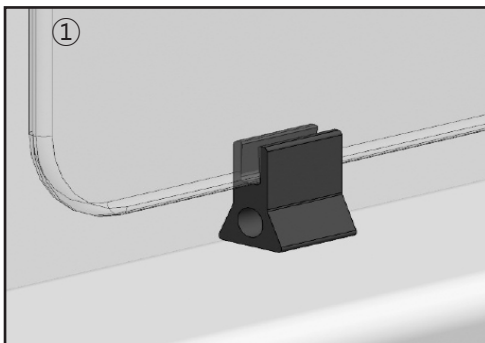
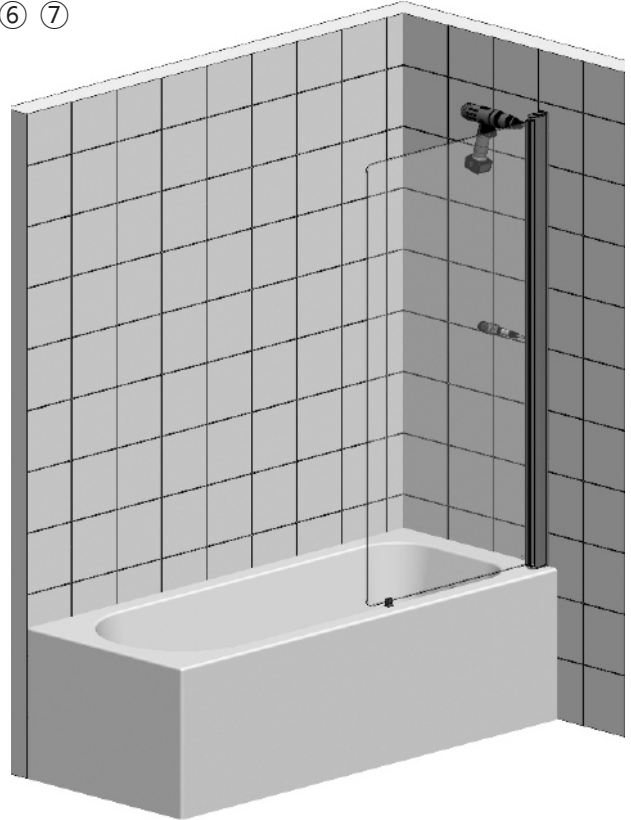
### Step 3 - Fitting the Wall Profiles

NOTE: 2 people will be required to carry out these operations. Some parts are hidden for clarity reasons.

⑤



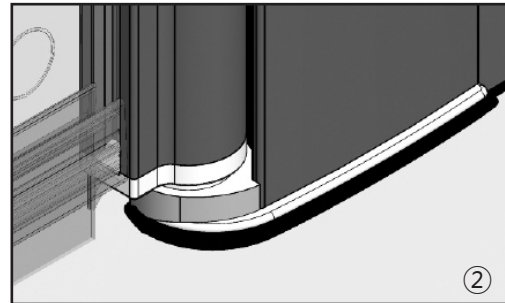
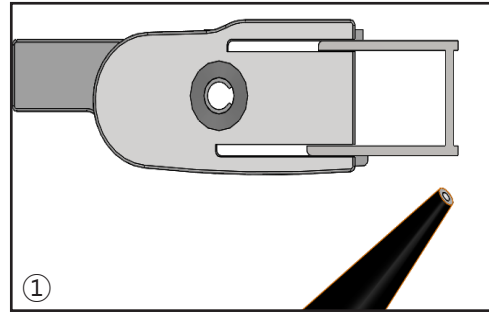
⑥ ⑦



1. Place the setting block onto the bottom of the glass screen.
2. Lift the bathscreen assembly onto the bath and slide over the fixed wall profile making certain that the curved face is on the outside and the setting block is resting on top of the bath.
3. Approximately 100mm from the top and bottom and one in the centre drill through the wall profile into the main vertical with the 2.5mm drill bit (supplied).
4. Fit the screw bases to the 9mm screws and fasten the screen to the wall profile, push fit the coloured caps.

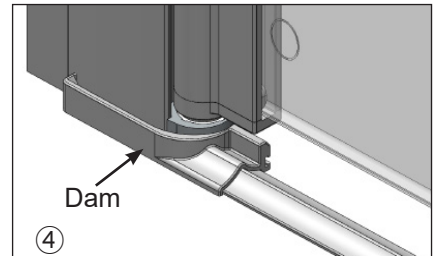
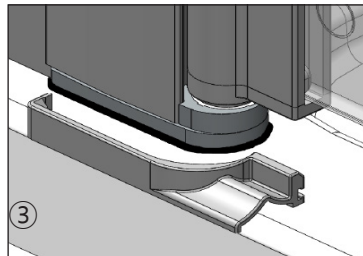
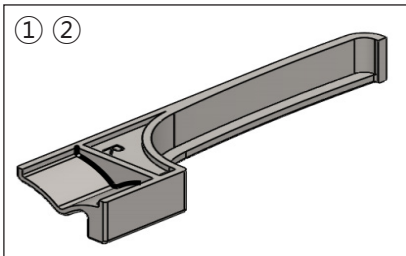
- **Note: There must be a minimum of 10mm between the main vertical and wall profile for fixing.**

## Step 4 - Fixing the Door to the Wall Profiles

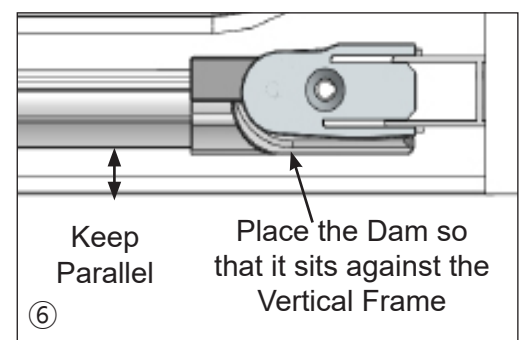
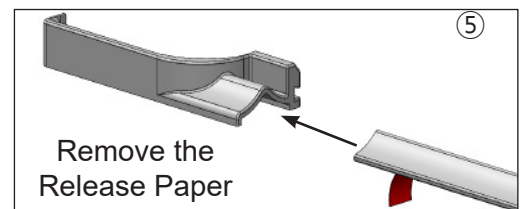


1. Using a good quality sealant, seal the wall profile vertically on the outside only, where it meets the tiled wall.
  - **It may be wise to use a translucent/clear sealant for best effects.**
2. On the outside only, seal the base of the bathscreen to the top of the bath all the way round.
3. Cut the bottom seal to length (708mm) and push completely onto the glass and up to the aluminium tube which is bonded onto the glass..
  - **IMPORTANT: Failure to follow stages 1,2 and 3 may result in serious water damage and will not be covered under the terms of the guarantee.**
  - **Ensure the deflector strip is facing inward towards the bath.**

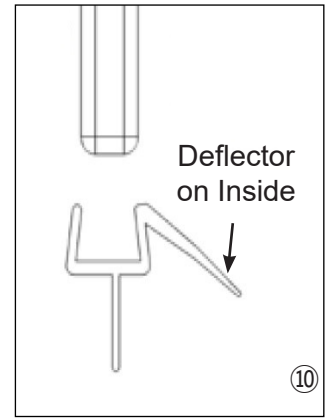
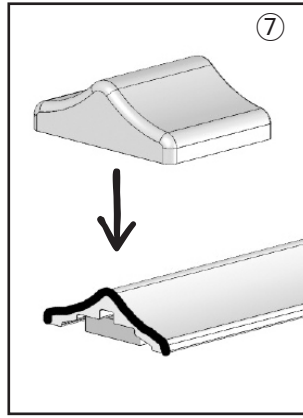
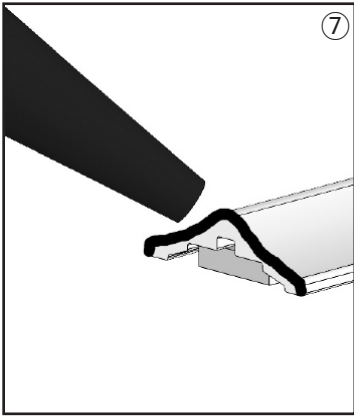
## Step 5 - Fitting the Dam & Bottom Rail



1. Choose the correct Dam for your installation and discard the other.
2. Turn the dam upside down and add a small amount of sealant on the inside edge (see image).
3. Seal the base of the pivot section to the bath top as shown in the image above.
4. Position the dam against the vertical frame at the pivoting side of the door and gently press into the sealant just applied.
  - **IMPORTANT: The dam must be fitted before the pre-applied sealant starts to cure.**
5. Remove the release paper from the back of the adhesive tape (which is on the underside of the bottom rail) and place the rail inside the dam and bottom rail joiner.
  - The bottom rail joiner will need lifting slightly to allow positioning of the bottom rail.
6. Press the rail down onto the top of the tray ensuring that it is kept parallel to the outside edge of the tray and that the dam and joiner both remain in position.
  - Make sure the top of the tray is clean and free from any contaminants before applying the rail.

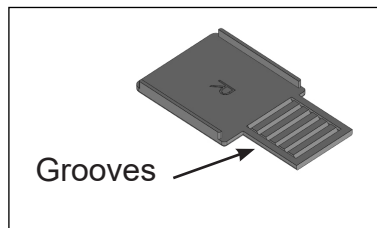
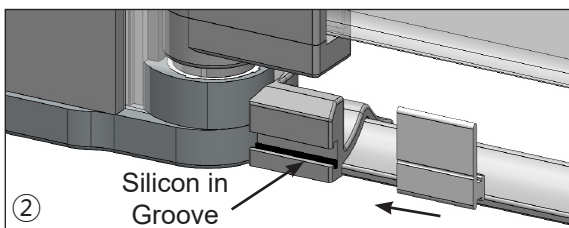
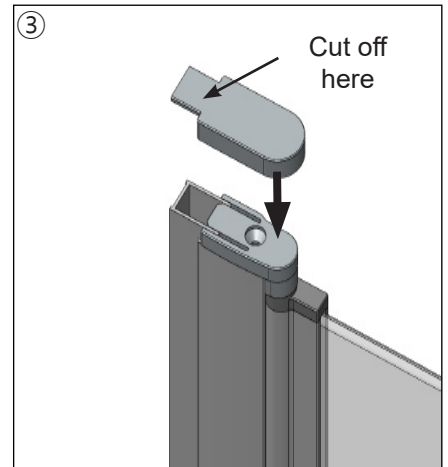
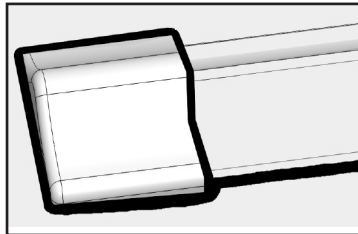
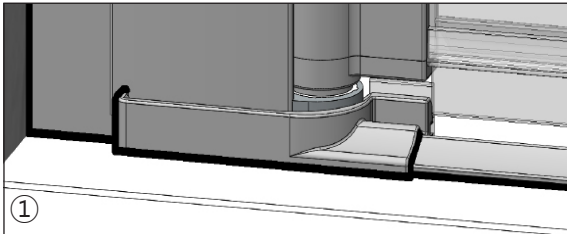


## Step 5 Continued... Fitting the Dam & Bottom Rail



7. On the Bath Top Strip (at the opposite end to the wall) apply a small bead of sealant to the top edge. Carefully but firmly place the Bath Top Strip End in place.
  - Be careful not to move the Bath Top Strip and Dam.
9. Fit the bottom seal onto the bottom of the glass making sure it fits between the pivot tube and the door magnet (trim to length if required). Ensure that the deflector is facing inward towards the shower.
  - Make sure the magnets on the door and frame locate onto each other down the full length of the door.
  - If the seal drags over the bottom rail, the door may need raising at the magnet side. Unscrew the top 3-4 door fixing screws, raise the door, re-drill and re-fix.

## Step 6 - Sealing



1. Seal the base of the enclosure to the top of the tray from wall to wall on the outside only making sure that you seal around the dam and rail joiner as shown. Seal the dam vertically where it meets the wall profile/main vertical. If the door bottom seal drags over the bottom rail, the door may need raising at the magnet side. Unscrew the top 3-4 door fixing screws, raise the door, re-drill and re-fix.
  - **IMPORTANT:** Failure to carry out stage 1 may result in water damage and is not covered under the guarantee.
  - **DO NOT** seal the base of the product to the inside, failure to comply may result in the product leaking.
  - Allow 24 hours for the sealant to fully cure prior to using the shower.
2. Place a small bead of silicon inside the Dam groove, and slide the dam seal in until it butts up to the product.
3. The top caps have grooves and can be shortened by cutting along these grooves using scissors or snips (adding a small amount of sealant will help keep the caps in place).
4. Place the branding badge in a prominent position on a none moving part of aluminium.

# Trouble Shooting Guide

Should you experience any problems during installation please refer to the Trouble Shooting Guide or contact Customer Relations on:  
+44 (0) 1325 328033

To enable customer relations to provide you with an excellent level of service it is important that you quote your product Code and Reference Number - these can be found on the Guarantee card.

Problem	Solution
Leaking	<ol style="list-style-type: none"><li>1. Check that the inside gap between the tray and wall profiles has been sealed correctly.</li><li>2. Ensure the tray is sealed along the tiled walls prior to installation.</li><li>3. If the inside joint between the enclosure and the tray top is sealed, this will cause leakage - sealant must be removed.</li><li>4. Ensure the wall profiles on the tiled walls are sealed both vertically inside and outside.</li><li>5. Ensure the joint between the enclosure and tray top is sealed.</li><li>6. The deflector on the bottomseals is semi rigid and can be carefully altered to offer more deflection of the water.</li><li>7. Check the angled magnets are locating and there are no gaps.</li></ol> <p>Important: This enclosure should be water tested conforming to BS EN 14428</p>
Enclosure Alignment on Tray	<ol style="list-style-type: none"><li>1. Is the enclosure fitted onto a tiled wall?</li><li>2. Are the wall profiles fitted 15mm from the outside edge of the tray?</li><li>3. Is the wall profile completely vertical?</li></ol>
Door not operating correctly	<ol style="list-style-type: none"><li>1. Ensure both wall profiles are completely vertical.</li><li>2. Ensure the tray is completely level.</li></ol>

## Important Information to help you maintain your Product:

The following information is all you need to keep your product looking new.

Our products are generally maintenance free, however it may be necessary to lubricate wheel assemblies and other moving parts such as hinges from time to time.

Clean your product using a mild detergent diluted in water and then polished off using a soft cloth.

If you live in a hard water area, periodically clean your product using a 50/50 solution of white vinegar and water. The solution should be left on the enclosure for approximately 5 minutes then rinsed off using warm water. This method of cleaning should remove lime scale residue. It is strongly recommended that a quality silicone spray is used.

## A list of Donts

1. Don't use acidic based products which are unsuitable for cleaning enamel surfaces.
2. Don't use abrasive cleaners or cleaners using bleach or solvents, these products will adversely affect the finish of the aluminium profiles.
3. Don't use scouring pads, powder or any sharp instruments when cleaning the enclosure.