

**Sales Code:** SBR04MV1

**Barcode:** 5056462601571

**Brand:** nuie

**Description:** nuie Concealed Manual Round Chrome Shower Kit With Outlet Elbow



*Technical Drawing Not Available*

### Product Dimensions

Product	595 x 168 x 71mm (H x W x D)
Nett Weight	0.1 kg
Packaged Weight	0.1 kg

### Product Details

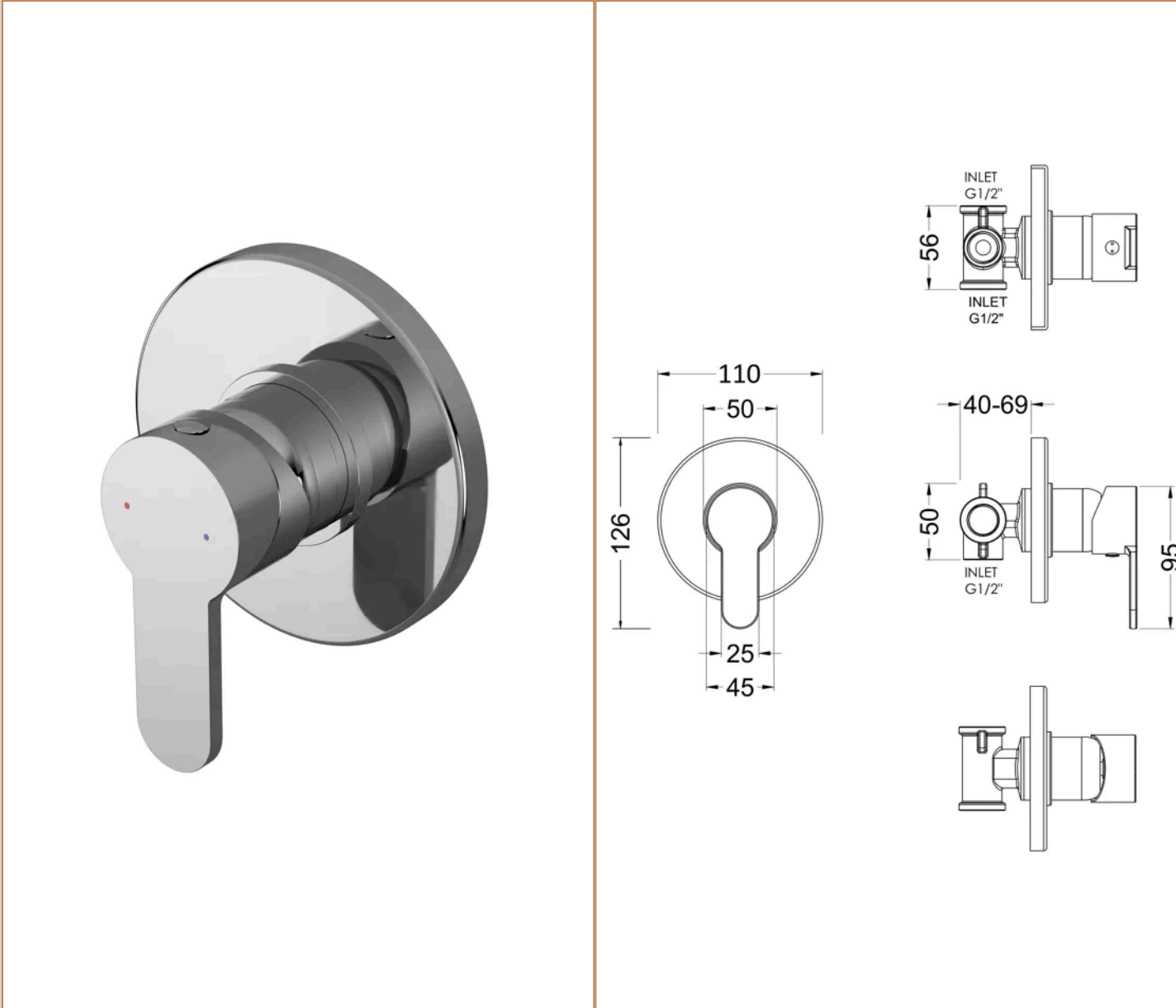
Country of Origin	China
Product Material	Brass Abs
Control Type	Manual
Valve/Cartridge Type	1/4 Turn
Colour/Finish	Chrome
Style	Contemporary
Min Operating Pressure	0.5 Bar
Minimum Operation Pressure	1 Bar
No. Of Body Jets	0.0000
Valve / Cartridge Type	1/4 Turn

**Sales Code:** ARVMV10

**Barcode:** 5056211898740

**Brand:** nuie

**Description:** nuie Arvan Chrome Manual Shower Valve



**Product Dimensions**

Product	110 x 110 x 113mm (H x W x D)
Packaged	170 x 205 x 150mm (H x W x D)
Outer Box	470 x 470 x 400mm (H x W x D)
Nett Weight	1.07 kg
Packaged Weight	1.07 kg

**Packaging Details**

Label Size (mm)	50 x 100
Label Colour	White
Label Qty	1.0000

**Product Details**

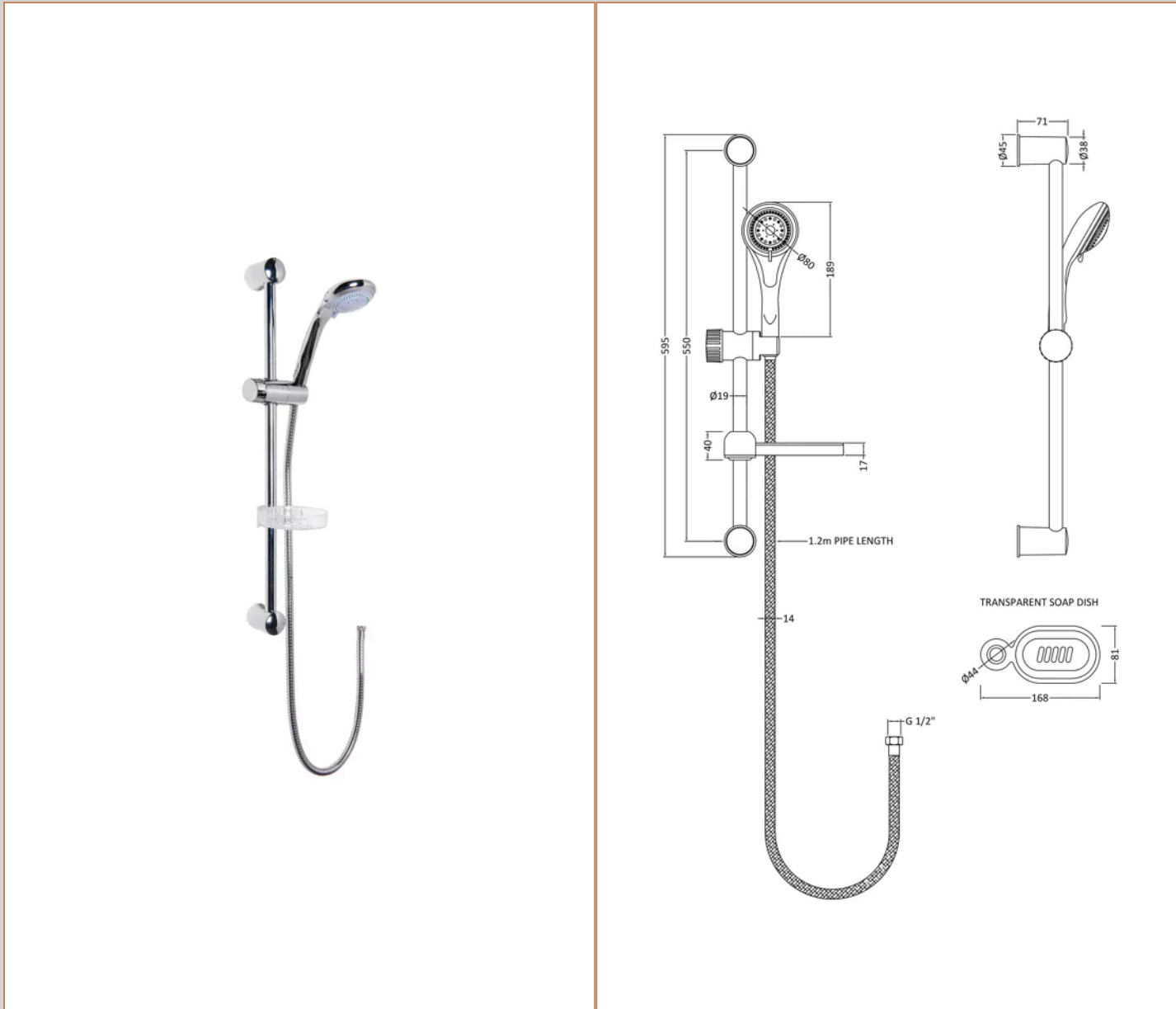
Country of Origin	China
Product Material	Brass Abs
Control Type	Manual
WRAS Approved	No
Valve/Cartridge Type	Single Lever Cartridge
Colour/Finish	Chrome
Mount Type	Recessed/Wall
Style	Contemporary
Handle Type	Lever/Round
TMV2 Approved	No
TMV3 Approved	No
Handset Included	No
Head Included	No
Min Operating Pressure	0.5 Bar
Minimum Operation Pressure	1 Bar
No. Outlets	1.0000
Outlet Elbow Supplied	No
Valve / Cartridge Type	Single Lever Cartridge

**Sales Code:** JTY034

**Barcode:** 5055369034819

**Brand:** nuie

**Description:** nuie Chrome Shower Slide Rail Kit



**Product Dimensions**

Product	595 x 168 x 71mm (H x W x D)
Packaged	70 x 110 x 560mm (H x W x D)
Nett Weight	0.68 kg
Packaged Weight	0.68 kg

**Packaging Details**

Label Size (mm)	50 x 100
Label Colour	White
Label Qty	2.0000

**Product Details**

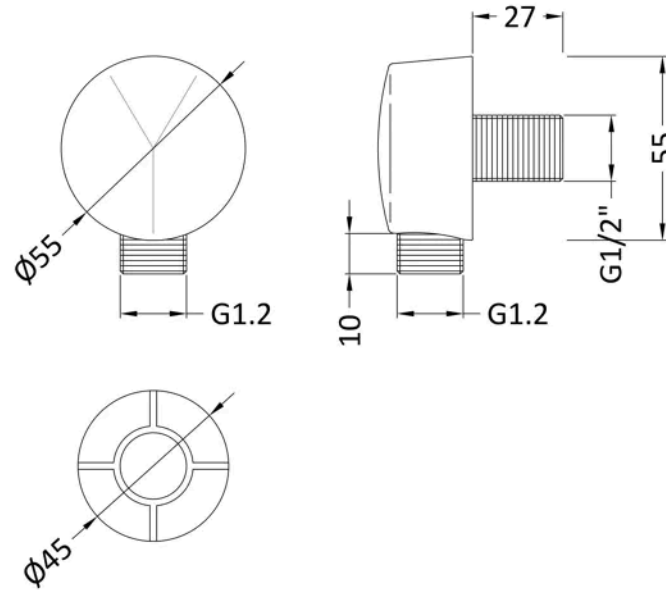
Country of Origin	China
Product Material	Brass Abs
Control Type	Not Applicable
WRAS Approved	No
Colour/Finish	Chrome
Mount Type	Surface/Wall
Style	Contemporary
Easy Clean	Yes
TMV2 Approved	No
TMV3 Approved	No
Handset Included	Yes
Head Included	No
Hose Included	Yes
Hose Length	1500 mm
Min Operating Pressure	0.1 Bar
Minimum Operation Pressure	0 Bar
No. Outlets	1.0000
Outlet Elbow Supplied	No

**Sales Code:** A3203

**Barcode:** 5055146110200

**Brand:** nuie

**Description:** nuie Chrome Outlet Elbow



### Product Dimensions

Product	53 x 53 x 26mm (H x W x D)
Packaged	55 x 55 x 80mm (H x W x D)
Outer Box	250 x 300 x 420mm (H x W x D)
Nett Weight	0.2 kg
Packaged Weight	0.2 kg

### Packaging Details

Label Size (mm)	50 x 100
Label Colour	White
Label Qty	2.0000

### Product Details

Country of Origin	China
Product Material	Abs
Colour/Finish	Chrome
Style	Contemporary