

Sales Code: SBR101BV1

Barcode: 5056462603599

Brand: nuie

Description: nuie Chrome Round Bar Valve & Slide Rail Shower Kit 1 Outlet



Technical Drawing Not Available

Product Dimensions

Product	705 x 129 x 150mm (H x W x D)
Nett Weight	0.1 kg
Packaged Weight	0.1 kg

Product Details

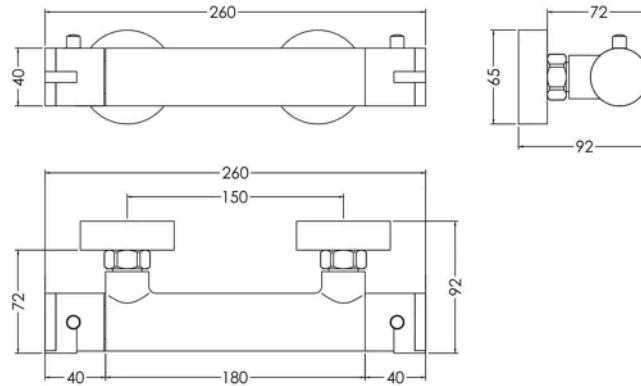
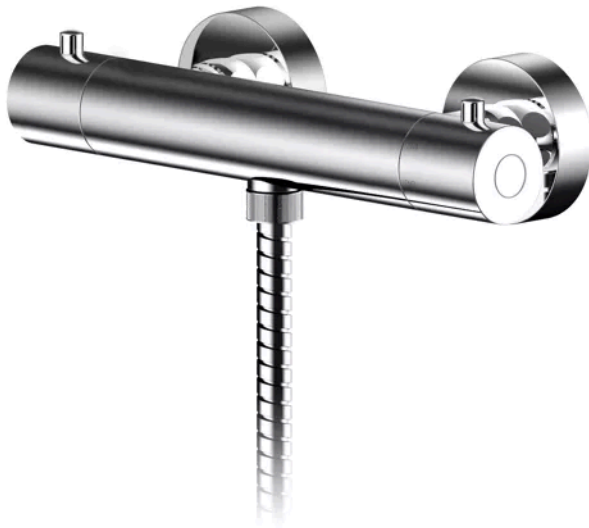
Country of Origin	China
Product Material	Brass Abs
Control Type	Manual
Valve/Cartridge Type	1/4 Turn
Colour/Finish	Chrome
Style	Contemporary
Hose Length	1500 mm
Min Operating Pressure	0.2 Bar
Minimum Operation Pressure	0 Bar
No. Of Body Jets	0.0000
Valve / Cartridge Type	1/4 Turn

Sales Code: BIN503

Barcode: 5056211898955

Brand: nuie

Description: nuie Chrome Thermostatic Bar Shower Valve



Product Dimensions

Product	55 x 275 x 72mm (H x W x D)
Packaged	50 x 98 x 315mm (H x W x D)
Outer Box	440 x 420 x 360mm (H x W x D)
Nett Weight	1.41 kg
Packaged Weight	1.41 kg

Packaging Details

Label Size (mm)	50 x 100
Label Colour	White
Label Qty	1.0000

Product Details

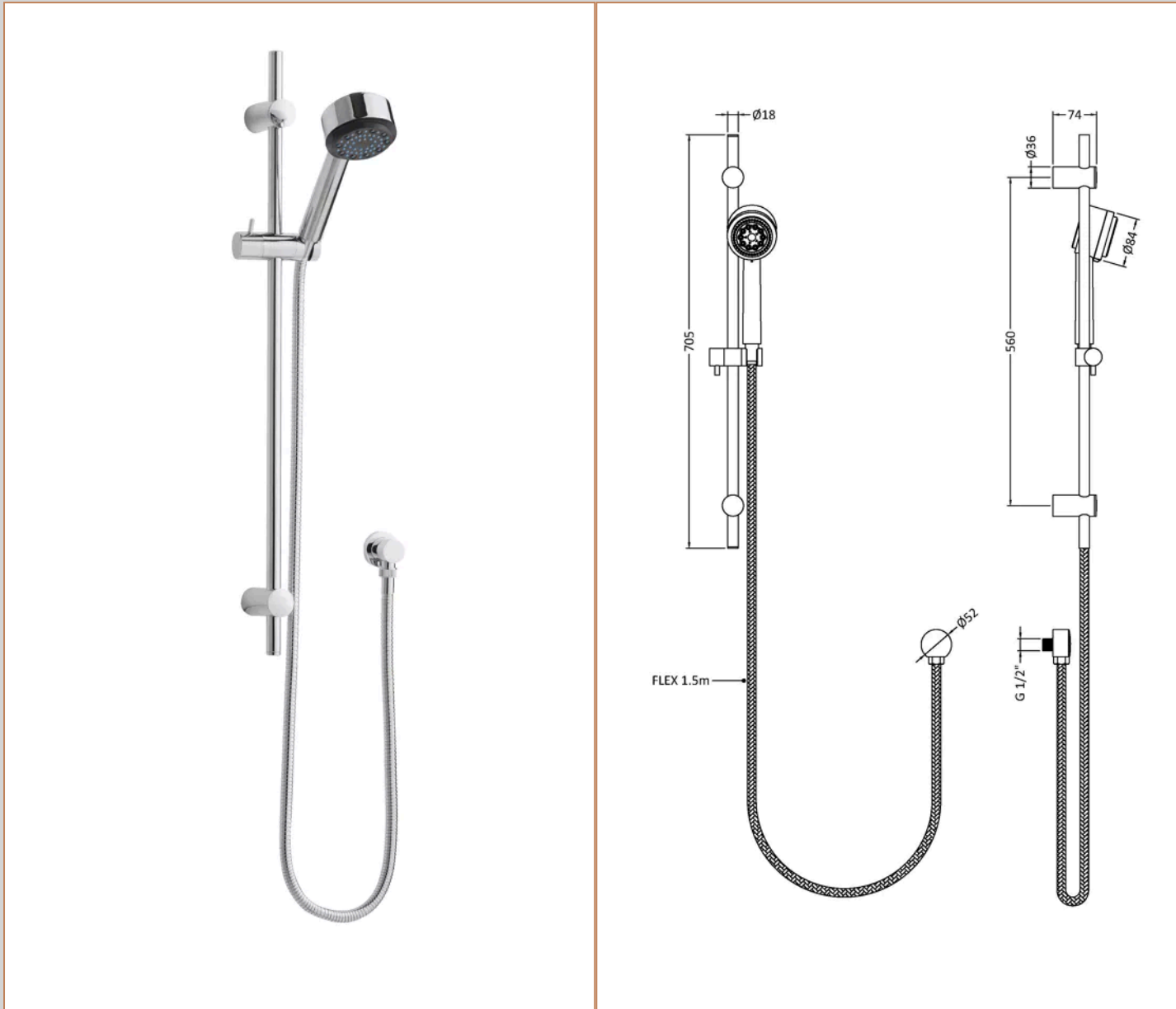
Country of Origin	China
Product Material	Brass Abs
Control Type	Manual
WRAS Approved	No
Valve/Cartridge Type	1/4 Turn
Colour/Finish	Chrome
Mount Type	Wall Hung
Style	Contemporary
Handle Type	Round
TMV2 Approved	No
TMV3 Approved	No
Pipe Centres	150
Handset Included	No
Head Included	No
Hose Included	No
Min Operating Pressure	0.2 Bar
Minimum Operation Pressure	0 Bar
No. Outlets	1.0000
Valve / Cartridge Type	1/4 Turn

Sales Code: A3043

Barcode: 5055146181156

Brand: Hudson Reed

Description: Hudson Reed Chrome Linear Shower Slide Rail Kit



Product Dimensions

Product	720 x 10 x 73mm (H x W x D)
Packaged	95 x 154 x 725mm (H x W x D)
Outer Box	500 x 330 x 750mm (H x W x D)
Nett Weight	1.37 kg
Packaged Weight	1.4 kg

Packaging Details

Label Size (mm)	50 x 100
Label Colour	White
Label Qty	2.0000

Product Details

Country of Origin	China
Product Material	Brass Abs
Control Type	Not Applicable
WRAS Approved	No
Colour/Finish	Chrome
Mount Type	Surface/Wall
Style	Contemporary
Easy Clean	Yes
TMV2 Approved	No
TMV3 Approved	No
Handset Included	Yes
Head Included	No
Hose Included	Yes
Hose Length	1500 mm
Min Operating Pressure	0.5 Bar
Minimum Operation Pressure	1 Bar
No. Outlets	1.0000
Outlet Elbow Supplied	Yes