

Sales Code: SBR06MV1

Barcode: 5056462601595

Brand: nuie

Description: nuie Round Concealed Shower Kit Including Valve, Head & Arm



Technical Drawing Not Available

Product Dimensions

Product	110 x 110 x 113mm (H x W x D)
Nett Weight	0.1 kg
Packaged Weight	0.1 kg

Product Details

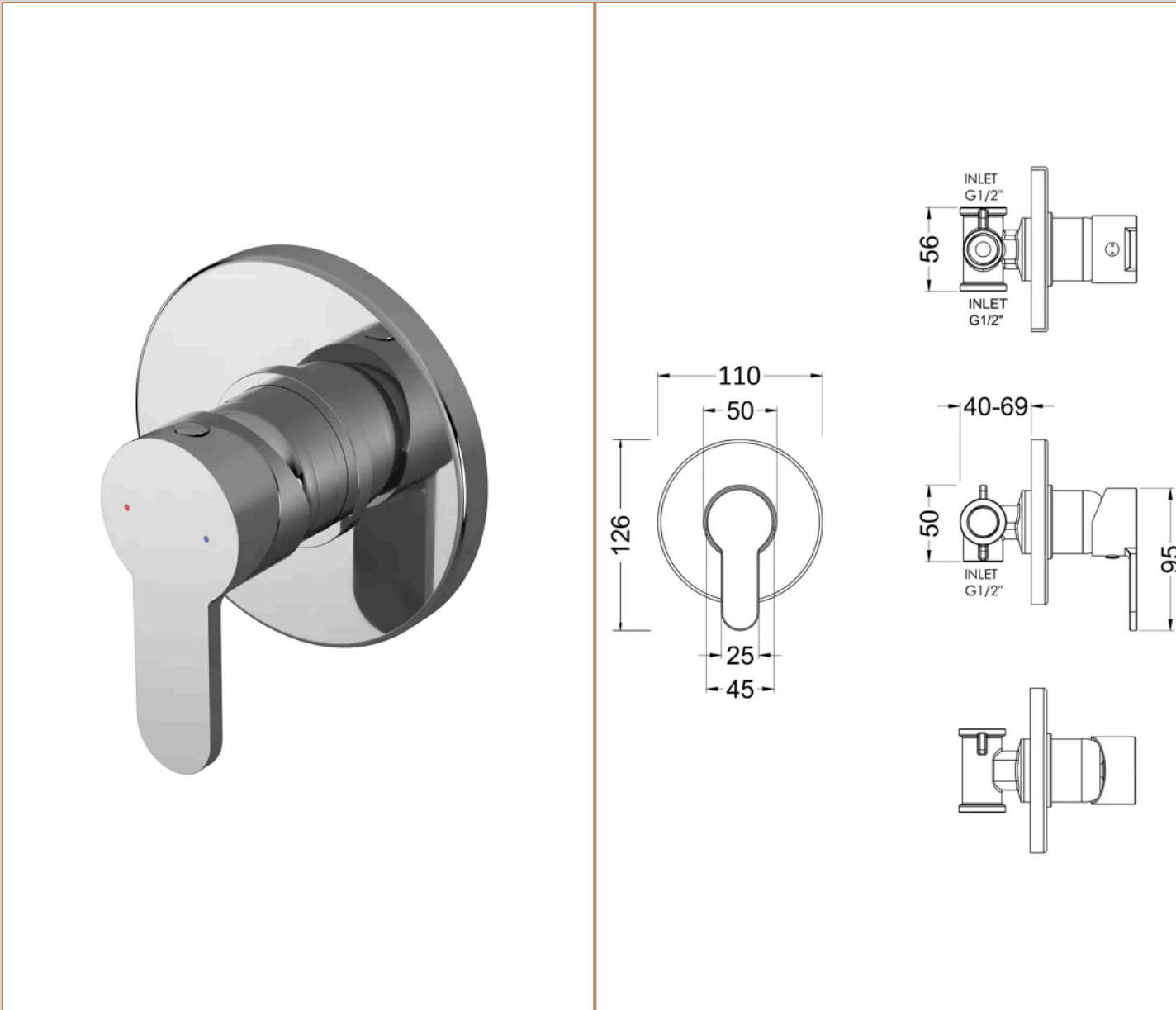
Country of Origin	China
Product Material	Brass Abs
Control Type	Manual
Valve/Cartridge Type	1/4 Turn
Colour/Finish	Chrome
Style	Contemporary
Min Operating Pressure	0.5 Bar
Minimum Operation Pressure	1 Bar
No. Of Body Jets	0.0000
Valve / Cartridge Type	1/4 Turn

Sales Code: ARVMV10

Barcode: 5056211898740

Brand: nuie

Description: nuie Arvan Chrome Manual Shower Valve



Product Dimensions

Product	110 x 110 x 113mm (H x W x D)
Packaged	170 x 205 x 150mm (H x W x D)
Outer Box	470 x 470 x 400mm (H x W x D)
Nett Weight	1.07 kg
Packaged Weight	1.07 kg

Packaging Details

Label Size (mm)	50 x 100
Label Colour	White
Label Qty	1.0000

Product Details

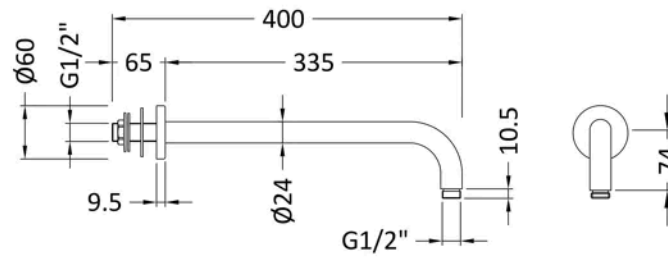
Country of Origin	China
Product Material	Brass Abs
Control Type	Manual
WRAS Approved	No
Valve/Cartridge Type	Single Lever Cartridge
Colour/Finish	Chrome
Mount Type	Recessed/Wall
Style	Contemporary
Handle Type	Lever/Round
TMV2 Approved	No
TMV3 Approved	No
Handset Included	No
Head Included	No
Min Operating Pressure	0.5 Bar
Minimum Operation Pressure	1 Bar
No. Outlets	1.0000
Outlet Elbow Supplied	No
Valve / Cartridge Type	Single Lever Cartridge

Sales Code: ARM01

Barcode: 5055146185604

Brand: nuie

Description: Chrome Wall-Mounted Shower Arm



Product Dimensions

Product	104 x 62 x 395mm (H x W x D)
Packaged	420 x 38 x 102mm (H x W x D)
Outer Box	385 x 220 x 430mm (H x W x D)
Nett Weight	0.32 kg
Packaged Weight	0.5 kg

Packaging Details

Label Size (mm)	50 x 100
Label Colour	White
Label Qty	2.0000

Product Details

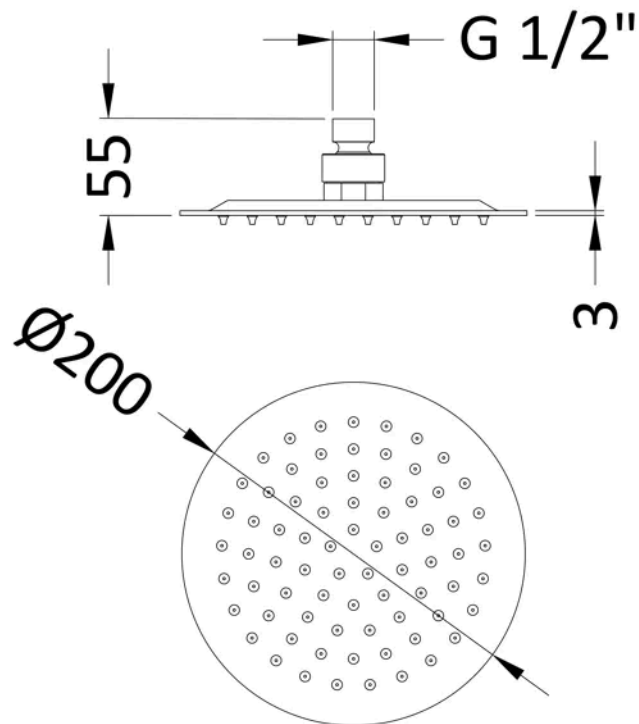
Country of Origin	China
Product Material	Brass
Colour/Finish	Chrome
Style	Contemporary

Sales Code: A3082

Barcode: 5055146179887

Brand: nuie

Description: Chrome Fixed Shower Head



Product Dimensions

Product	56 x 200 x 200mm (H x W x D)
Packaged	210 x 100 x 210mm (H x W x D)
Outer Box	430 x 500 x 230mm (H x W x D)
Nett Weight	0.92 kg
Packaged Weight	0.92 kg

Packaging Details

Label Size (mm)	50 x 100
Label Colour	White
Label Qty	2.0000

Product Details

Country of Origin	China
Product Material	Stainless Steel
Control Type	Not Applicable
WRAS Approved	No
Colour/Finish	Chrome
Mount Type	Surface/Wall
Style	Contemporary
TMV2 Approved	No
TMV3 Approved	No
Handset Included	No
Head Included	Yes
Min Operating Pressure	0.5 Bar
Minimum Operation Pressure	1 Bar
No. Outlets	1.0000
Outlet Elbow Supplied	No