

Sales Code: SBR09TW1

Barcode: 5056462601625

Brand: nuie

Description: nuie Chrome Concealed Twin Round Shower Kit Includes Valve, Shower Head & Arm



Technical Drawing Not Available

Product Dimensions

| | |
|-----------------|-------------------------------|
| Product | 215 x 120 x 135mm (H x W x D) |
| Nett Weight | 0.1 kg |
| Packaged Weight | 0.1 kg |

Product Details

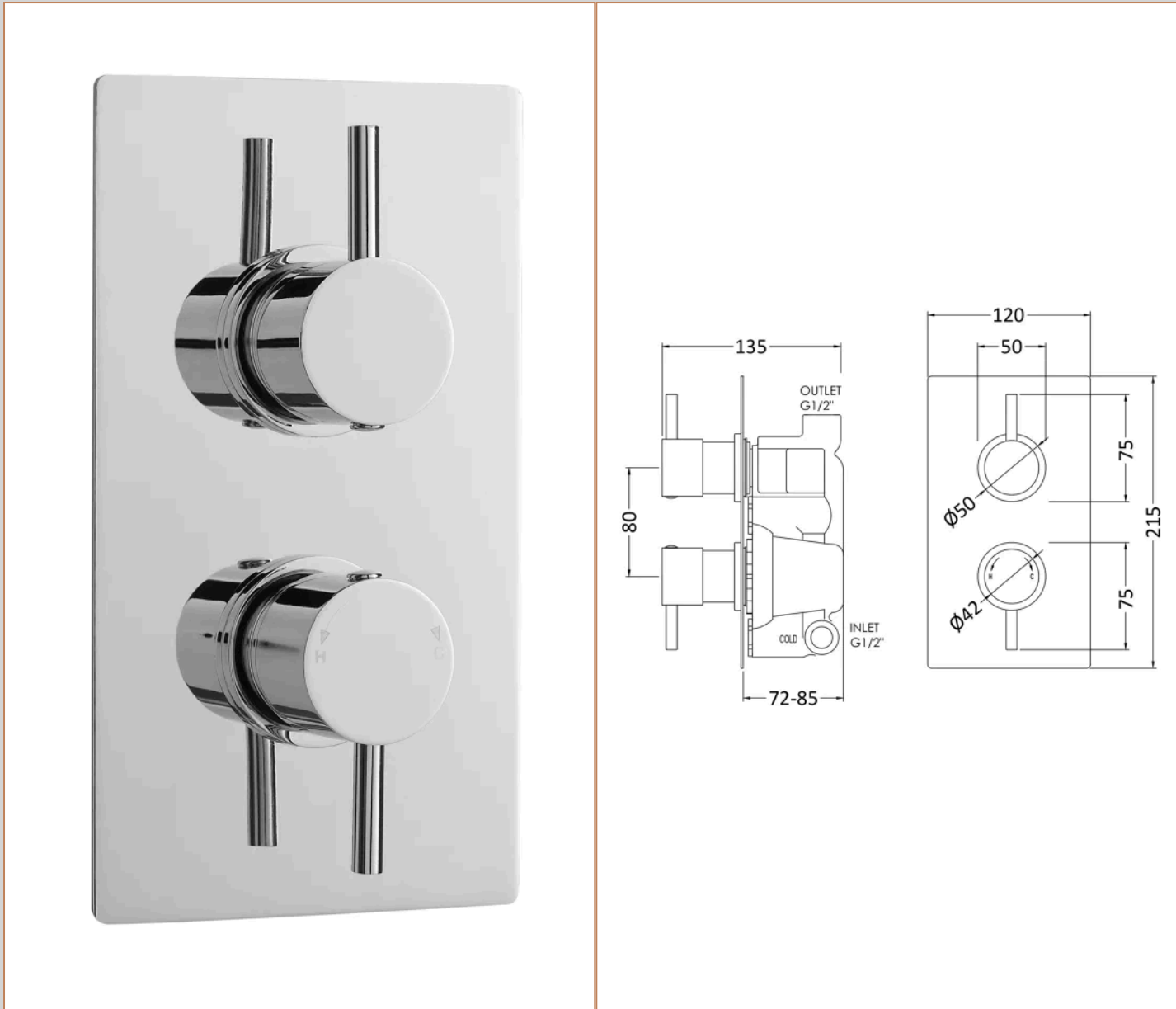
| | |
|----------------------------|--------------|
| Country of Origin | China |
| Product Material | Brass Abs |
| Control Type | Manual |
| WRAS Approved | Yes |
| Valve/Cartridge Type | 1/4 Turn |
| Colour/Finish | Chrome |
| Style | Contemporary |
| TMV2 Approved | Yes |
| Min Operating Pressure | 0.1 Bar |
| Minimum Operation Pressure | 0 Bar |
| No. Of Body Jets | 0.0000 |
| Tmv2 Approval Number | 2603035 |
| Valve / Cartridge Type | 1/4 Turn |
| Wras Approval No | 250602040 |

Sales Code: QUEV51

Barcode: 5055146197218

Brand: nuie

Description: nuie Chrome Thermostatic Shower Valve



Product Dimensions

| | |
|-----------------|-------------------------------|
| Product | 215 x 120 x 135mm (H x W x D) |
| Packaged | 110 x 240 x 250mm (H x W x D) |
| Outer Box | 370 x 500 x 270mm (H x W x D) |
| Nett Weight | 2.39 kg |
| Packaged Weight | 2.71 kg |

Packaging Details

| | |
|-----------------|----------|
| Label Size (mm) | 50 x 100 |
| Label Colour | White |
| Label Qty | 2.0000 |

Product Details

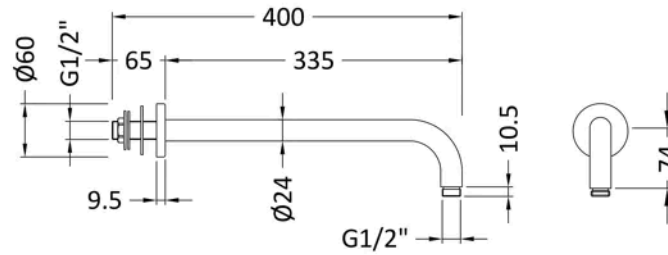
| | |
|----------------------------|----------------|
| Country of Origin | United Kingdom |
| Product Material | Brass Abs |
| Control Type | Manual |
| WRAS Approved | Yes |
| Valve/Cartridge Type | 1/4 Turn |
| Colour/Finish | Chrome |
| Mount Type | Recessed/Wall |
| Style | Contemporary |
| Handle Type | Lever/Round |
| TMV2 Approved | Yes |
| TMV3 Approved | No |
| Handset Included | No |
| Head Included | No |
| Min Operating Pressure | 0.1 Bar |
| Minimum Operation Pressure | 0 Bar |
| No. Outlets | 1.0000 |
| Outlet Elbow Supplied | No |
| Tmv2 Approval Number | 2603035 |
| Valve / Cartridge Type | 1/4 Turn |
| Wras Approval No | 250602040 |

Sales Code: ARM01

Barcode: 5055146185604

Brand: nuie

Description: Chrome Wall-Mounted Shower Arm



Product Dimensions

| | |
|-----------------|-------------------------------|
| Product | 104 x 62 x 395mm (H x W x D) |
| Packaged | 420 x 38 x 102mm (H x W x D) |
| Outer Box | 385 x 220 x 430mm (H x W x D) |
| Nett Weight | 0.32 kg |
| Packaged Weight | 0.5 kg |

Packaging Details

| | |
|-----------------|----------|
| Label Size (mm) | 50 x 100 |
| Label Colour | White |
| Label Qty | 2.0000 |

Product Details

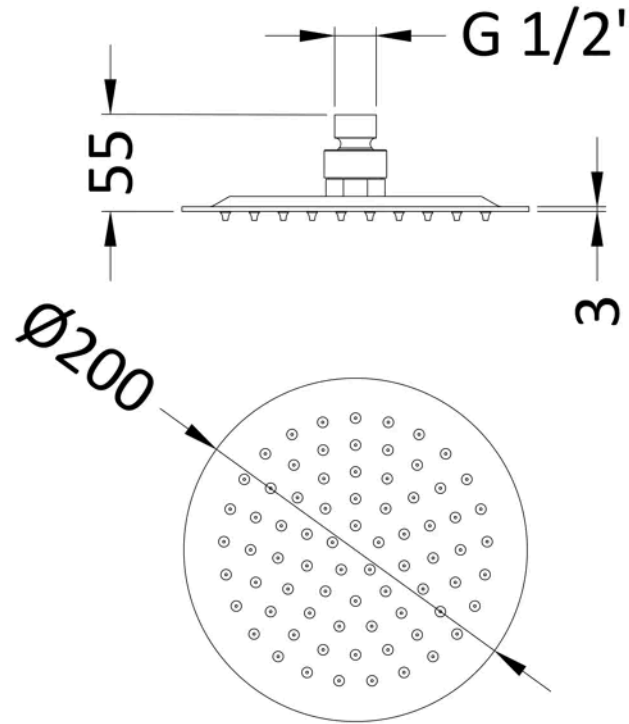
| | |
|-------------------|--------------|
| Country of Origin | China |
| Product Material | Brass |
| Colour/Finish | Chrome |
| Style | Contemporary |

Sales Code: A3082

Barcode: 5055146179887

Brand: nuie

Description: Chrome Fixed Shower Head



Product Dimensions

| | |
|-----------------|-------------------------------|
| Product | 56 x 200 x 200mm (H x W x D) |
| Packaged | 210 x 100 x 210mm (H x W x D) |
| Outer Box | 430 x 500 x 230mm (H x W x D) |
| Nett Weight | 0.92 kg |
| Packaged Weight | 0.92 kg |

Packaging Details

| | |
|-----------------|----------|
| Label Size (mm) | 50 x 100 |
| Label Colour | White |
| Label Qty | 2.0000 |

Product Details

| | |
|----------------------------|-----------------|
| Country of Origin | China |
| Product Material | Stainless Steel |
| Control Type | Not Applicable |
| WRAS Approved | No |
| Colour/Finish | Chrome |
| Mount Type | Surface/Wall |
| Style | Contemporary |
| TMV2 Approved | No |
| TMV3 Approved | No |
| Handset Included | No |
| Head Included | Yes |
| Min Operating Pressure | 0.5 Bar |
| Minimum Operation Pressure | 1 Bar |
| No. Outlets | 1.0000 |
| Outlet Elbow Supplied | No |