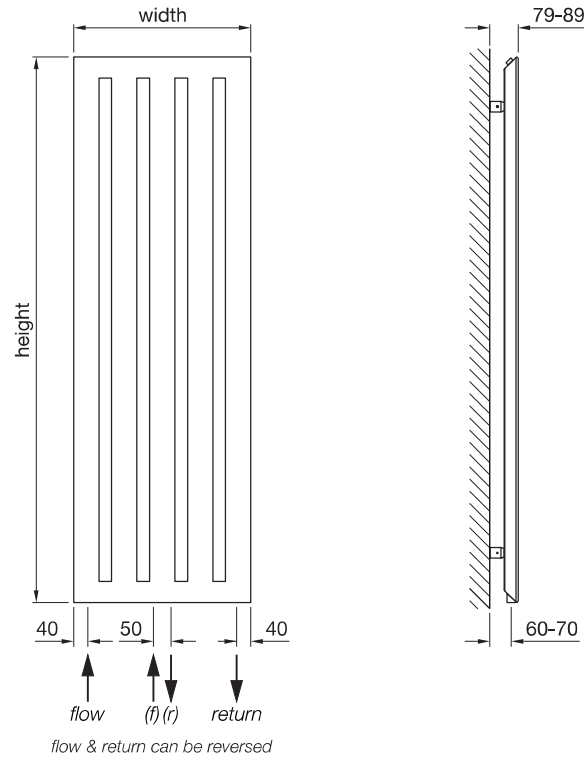


Zehnder Metropolitan - vertical

All dimensions shown are in millimetres

Test pressure: **6.8 BAR**
 Max working pressure: **4 BAR**
 Max working temperature: **110° C**
 All steel construction: **70mm x 39mm triangular tube frame**
70mm x 8mm flat tubes
 Connections: **½ inch BSP underside tapings**

Not suitable for use on domestic hot water system

Heat output determined in accordance with EN 442
 Test Laboratory: HLK Stuttgart, Test Lab No: 0626

Model	Height ± 2mm	Width ± 2mm	Finish	Pipe Centres ± 2mm	Output ΔT=50K		Output ΔT=30K		n	Weight kg	Water Content litres
					Watts	Btu	Watts	Btu			
MEV-150-030	1500	280	painted	50/200	405	1382	214	730	1.25	9.5	4.9
MEV-150-040	1500	385	painted	50/305	533	1819	281	959	1.25	12.3	5.6
MEV-150-050	1500	490	painted	50/410	655	2235	346	1181	1.25	15.1	6.4
MEV-150-060	1500	595	painted	50/515	773	2637	408	1392	1.25	17.9	7.1
MEV-180-030	1800	280	painted	50/200	490	1672	256	873	1.27	11.3	5.8
MEV-180-040	1800	385	painted	50/305	643	2194	336	1146	1.27	14.6	6.6
MEV-180-050	1800	490	painted	50/410	791	2699	413	1409	1.27	17.9	7.5
MEV-180-060	1800	595	painted	50/515	934	3187	491	1675	1.26	21.3	8.3
MEV-200-030	2000	280	painted	50/200	544	1856	286	976	1.26	12.5	6.4
MEV-200-040	2000	385	painted	50/305	714	2436	375	1280	1.26	16.1	7.3
MEV-200-050	2000	490	painted	50/410	878	2996	461	1573	1.26	19.8	8.2
MEV-200-060	2000	595	painted	50/515	1037	3538	545	1860	1.26	23.5	9.1



Zehnder Metropolitan - horizontal



Tools & Material Required

Suitable valves
 PTFE tape
 Silicone thread sealant
 Tape measure
 Allen key - 13mm & 12mm (when installing Zehnder valves)
 Spanner - 13mm & 14mm
 Screwdriver - crosshead
 Pliers
 Electric drill
 Masonry drill bit
 Spirit level
 Stepladder (for taller radiators)

Key	Component	Qty
A	Air Vent - 1/2"	1
B	Boss	4
C	Wall Plug	4
D	Bracket	4
E	Screw, 6mm dia x 50mm	4
F	Washer	4
G	Grub Screw	4
H	Allen Key	1

Assembly Instructions

Sufficient PTFE tape must be applied to valve-tail threads prior to their installation.
 Silicone thread sealant should be applied to all threaded components manufactured with 'O-rings'.

Fit valve tails, using correct size Allen key.

Fit air vent (A).

Screw bosses (B) to studs on the back of the radiator.

Accurately mark out bracket holes on wall using spirit level.

Drill four holes to a minimum depth of 65mm & insert wall plugs (C).

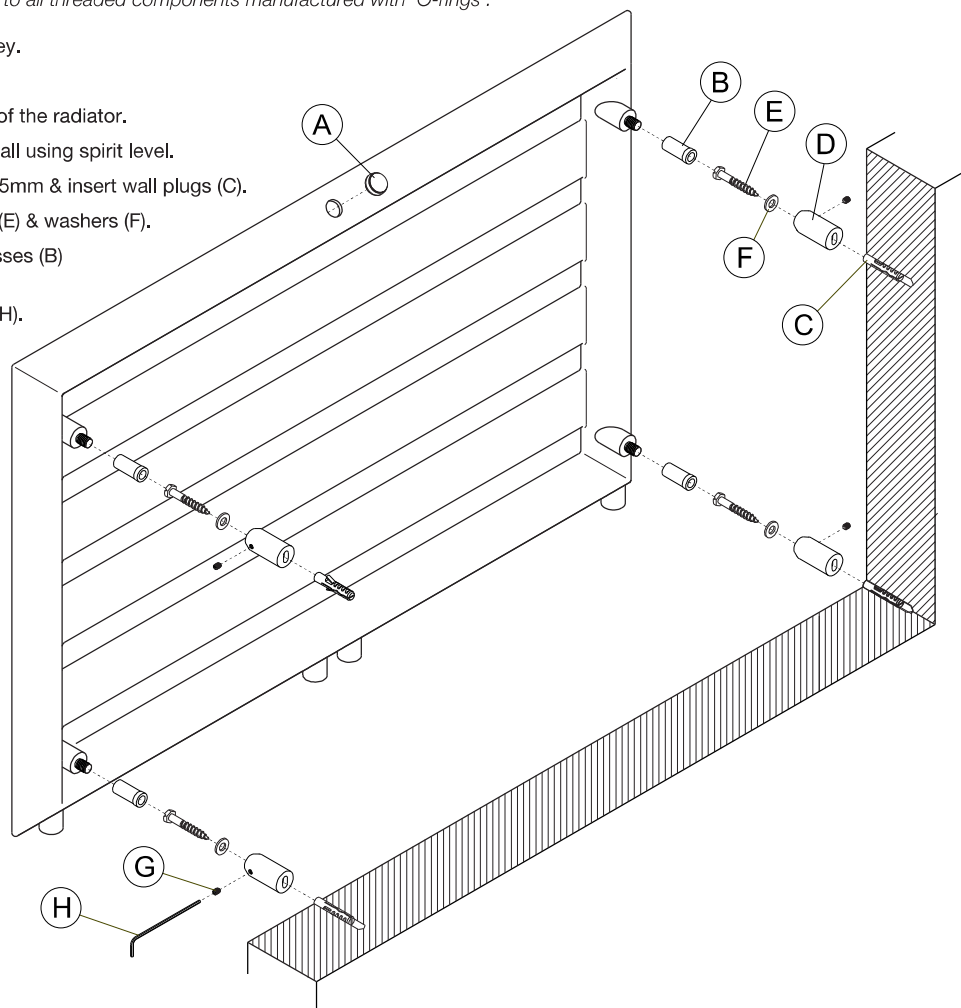
Attach brackets (D) to wall with screws (E) & washers (F).

Hang radiator onto wall by inserting bosses (B) into brackets (D).

Tighten grub screws (G) with Allen key (H).

Plumb radiator to heating circuit with flow opposite air vent.

This radiator should be installed onto a central heating system that has been cleaned/flushed and contains water treatment and inhibitors in accordance with BS7593.



Zehnder Metropolitan - vertical



Tools & Material Required

- Suitable valves
- PTFE tape
- Silicone thread sealant
- Tape measure
- Allen key - 13mm & 12mm (when installing Zehnder valves)
- Spanner - 13mm & 14mm
- Screwdriver - crosshead
- Pliers
- Electric drill
- Masonry drill bit
- Spirit level
- Stepladder (for taller radiators)

Key	Component	Qty
A	Air Vent - 1/2"	1
B	Boss	4
C	Wall Plug	4
D	Bracket	4
E	Screw, 6mm dia x 50mm	4
F	Washer	4
G	Grub Screw	4
H	Allen Key	1

Assembly Instructions

Sufficient PTFE tape must be applied to valve-tail threads prior to their installation.
Silicone thread sealant should be applied to all threaded components manufactured with 'O-rings'.

- Fit valve tails, using correct size Allen key.
- Fit air vent (A).
- Screw bosses (B) to studs on the back of the radiator.
- Accurately mark out bracket holes on wall using spirit level.
- Drill four holes to a minimum depth of 65mm & insert wall plugs (C).
- Attach brackets (D) to wall with screws (E) & washers (F).
- Hang radiator onto wall by inserting bosses (B) into brackets (D).
- Tighten grub screws (G) with Allen key (H).
- Plumb radiator to heating circuit with flow opposite air vent.

This radiator should be installed onto a central heating system that has been cleaned/flushed and contains water treatment and inhibitors in accordance with BS7593.

