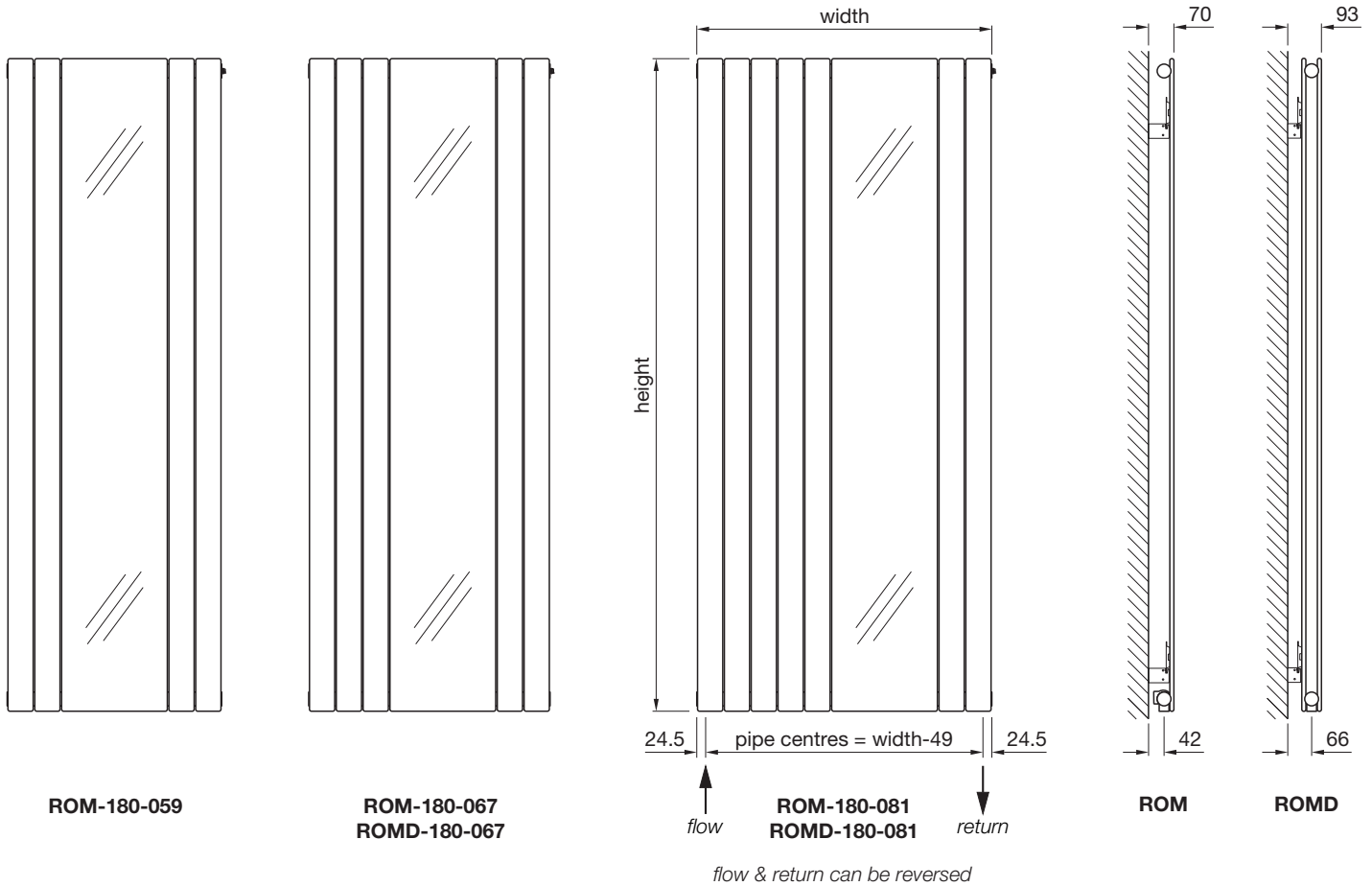


# Zehnder Roda Mirror

All dimensions shown are in millimetres

Test pressure: **6.8 BAR**  
 Max working pressure: **4 BAR**  
 Max working temperature: **110° C**  
 All steel construction: **70mm x 11mm vertical tubes  
 dia 38mm horizontal tubes**  
 Connections: **½ inch BSP underside tapings**

**Not suitable for use on domestic hot water system**

Heat output determined in accordance with EN 442  
 Test Laboratory: CETIAT, Test Lab Registration No: 1623

| Model        | Height<br>± 2mm | Width<br>± 2mm | Finish  | Pipe<br>Centres<br>± 2mm | Output<br>ΔT=50K |      | Output<br>ΔT=30K |      | n    | Weight<br>kg | Water<br>Content<br>litres |
|--------------|-----------------|----------------|---------|--------------------------|------------------|------|------------------|------|------|--------------|----------------------------|
|              |                 |                |         |                          | Watts            | Btu  | Watts            | Btu  |      |              |                            |
| ROM-180-059  | 1800            | 592            | painted | 543                      | 544              | 1856 | 279              | 952  | 1.31 | 21.5         | 5.1                        |
| ROM-180-067  | 1800            | 666            | painted | 617                      | 680              | 2320 | 348              | 1187 | 1.31 | 24.5         | 6.3                        |
| ROM-180-081  | 1800            | 814            | painted | 765                      | 952              | 3248 | 488              | 1665 | 1.31 | 30.5         | 8.6                        |
| ROMD-180-067 | 1800            | 666            | painted | 617                      | 1355             | 4623 | 690              | 2354 | 1.32 | 49.8         | 15.4                       |
| ROMD-180-081 | 1800            | 814            | painted | 765                      | 1527             | 5210 | 778              | 2655 | 1.32 | 61.4         | 19.7                       |



# Zehnder Roda Mirror



## Tools & Material Required

Wall plugs - to suit screws  
 Screws - Hex head, 7mm diameter x 55mm length  
 Suitable valves  
 PTFE tape  
 Silicone thread sealant  
 Tape measure  
 Allen key - 13mm & 12mm (when installing Zehnder valves)  
 Spanner - 14mm  
 Screwdriver  
 Electric drill  
 Masonry drill bit -to suit wall plugs  
 Spirit level  
 Stepladder (for taller radiators)

| Key | Component                         | Qty |
|-----|-----------------------------------|-----|
| A   | Air Vent - 1/8"                   | 1   |
| B   | Wall Plug*                        | 4   |
| C   | Bracket                           | 4   |
| D   | Screw - Hex Head, 7mm dia x 55mm* | 4   |

\* Wall Plugs & Screws not supplied

## Assembly Instructions

*Sufficient PTFE tape must be applied to valve-tail threads prior to their installation.  
 Silicone thread sealant should be applied to all threaded components manufactured with 'O-rings'.*

Fit valve tails, using correct size Allen key.

Fit air vent (A).

Accurately mark out four bracket holes on wall using spirit level.

Drill four holes & insert wall plugs (B).

Attach brackets (C) to wall with screws (D).

Hang radiator onto brackets (C).

Plumb radiator to heating circuit with flow opposite air vent.

This radiator should be installed onto a central heating system that has been cleaned/flushed and contains water treatment and inhibitors in accordance with BS7593.

