

**Sales Code:** SBR67BV1

**Barcode:** 5056462602202

**Brand:** nuie

**Description:** nuie Chrome Round Exposed Manual Bar Valve Single Outlet Shower Kit



*Technical Drawing Not Available*

**Product Dimensions**

Product	740 x 96mm (H x W)
Nett Weight	0.1 kg
Packaged Weight	0.1 kg

**Product Details**

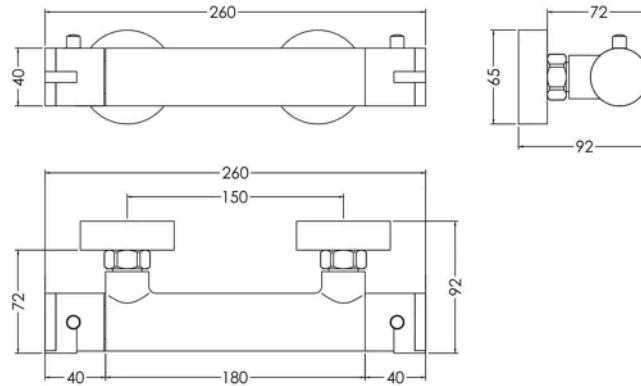
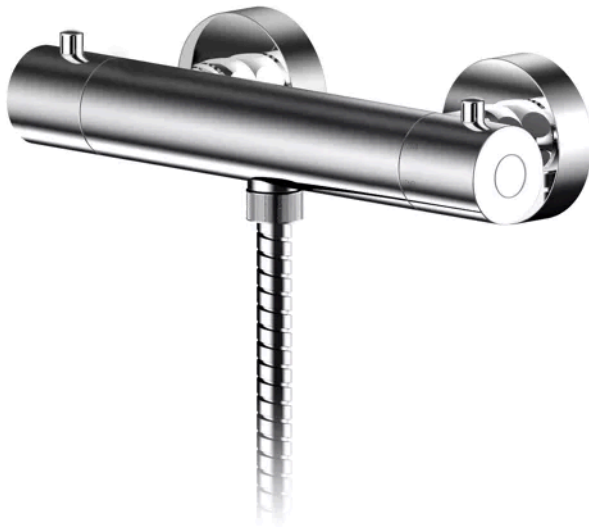
Country of Origin	China
Product Material	Brass Abs
Control Type	Manual
Valve/Cartridge Type	1/4 Turn
Colour/Finish	Chrome
Style	Contemporary
Hose Length	1500 mm
Min Operating Pressure	0.2 Bar
Minimum Operation Pressure	0 Bar
No. Of Body Jets	0.0000
Valve / Cartridge Type	1/4 Turn

**Sales Code:** BIN503

**Barcode:** 5056211898955

**Brand:** nuie

**Description:** nuie Chrome Thermostatic Bar Shower Valve



### Product Dimensions

Product	55 x 275 x 72mm (H x W x D)
Packaged	50 x 98 x 315mm (H x W x D)
Outer Box	440 x 420 x 360mm (H x W x D)
Nett Weight	1.41 kg
Packaged Weight	1.41 kg

### Packaging Details

Label Size (mm)	50 x 100
Label Colour	White
Label Qty	1.0000

### Product Details

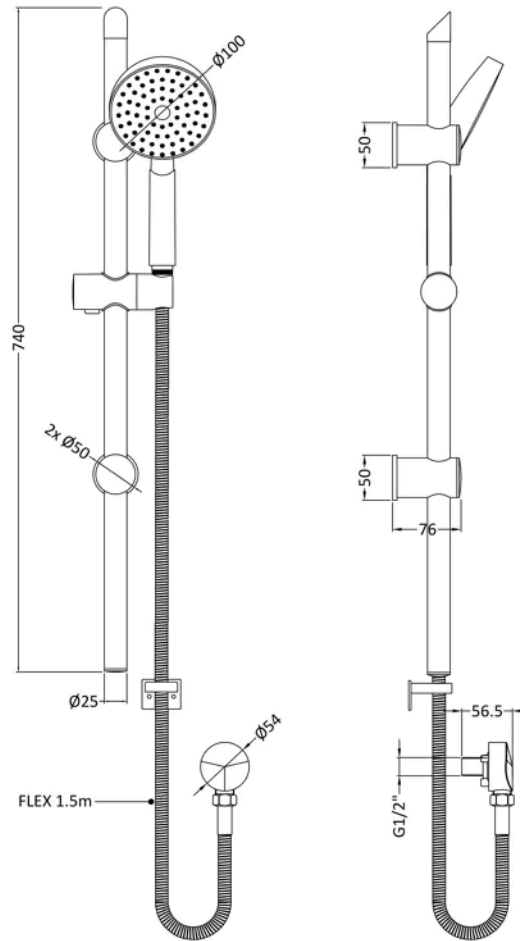
Country of Origin	China
Product Material	Brass Abs
Control Type	Manual
WRAS Approved	No
Valve/Cartridge Type	1/4 Turn
Colour/Finish	Chrome
Mount Type	Wall Hung
Style	Contemporary
Handle Type	Round
TMV2 Approved	No
TMV3 Approved	No
Pipe Centres	150
Handset Included	No
Head Included	No
Hose Included	No
Min Operating Pressure	0.2 Bar
Minimum Operation Pressure	0 Bar
No. Outlets	1.0000
Valve / Cartridge Type	1/4 Turn

**Sales Code:** JTY035

**Barcode:** 5055369044313

**Brand:** nuie

**Description:** nuie Chrome Shower Slide Rail Kit



### Product Dimensions

Product	740 x 96 x 76mm (H x W x D)
Packaged	83 x 160 x 790mm (H x W x D)
Outer Box	350 x 1090 x 430mm (H x W x D)
Nett Weight	1.42 kg
Packaged Weight	1.42 kg

### Packaging Details

Label Size (mm)	50 x 100
Label Colour	White
Label Qty	2.0000

### Product Details

Country of Origin	United Kingdom
Product Material	Brass Abs
Control Type	Not Applicable
WRAS Approved	No
Colour/Finish	Chrome
Mount Type	Surface/Wall
Style	Contemporary
Easy Clean	Yes
TMV2 Approved	No
TMV3 Approved	No
Handset Included	Yes
Head Included	No
Hose Included	Yes
Hose Length	1500 mm
Min Operating Pressure	0.5 Bar
Minimum Operation Pressure	1 Bar
No. Outlets	1.0000
Outlet Elbow Supplied	Yes