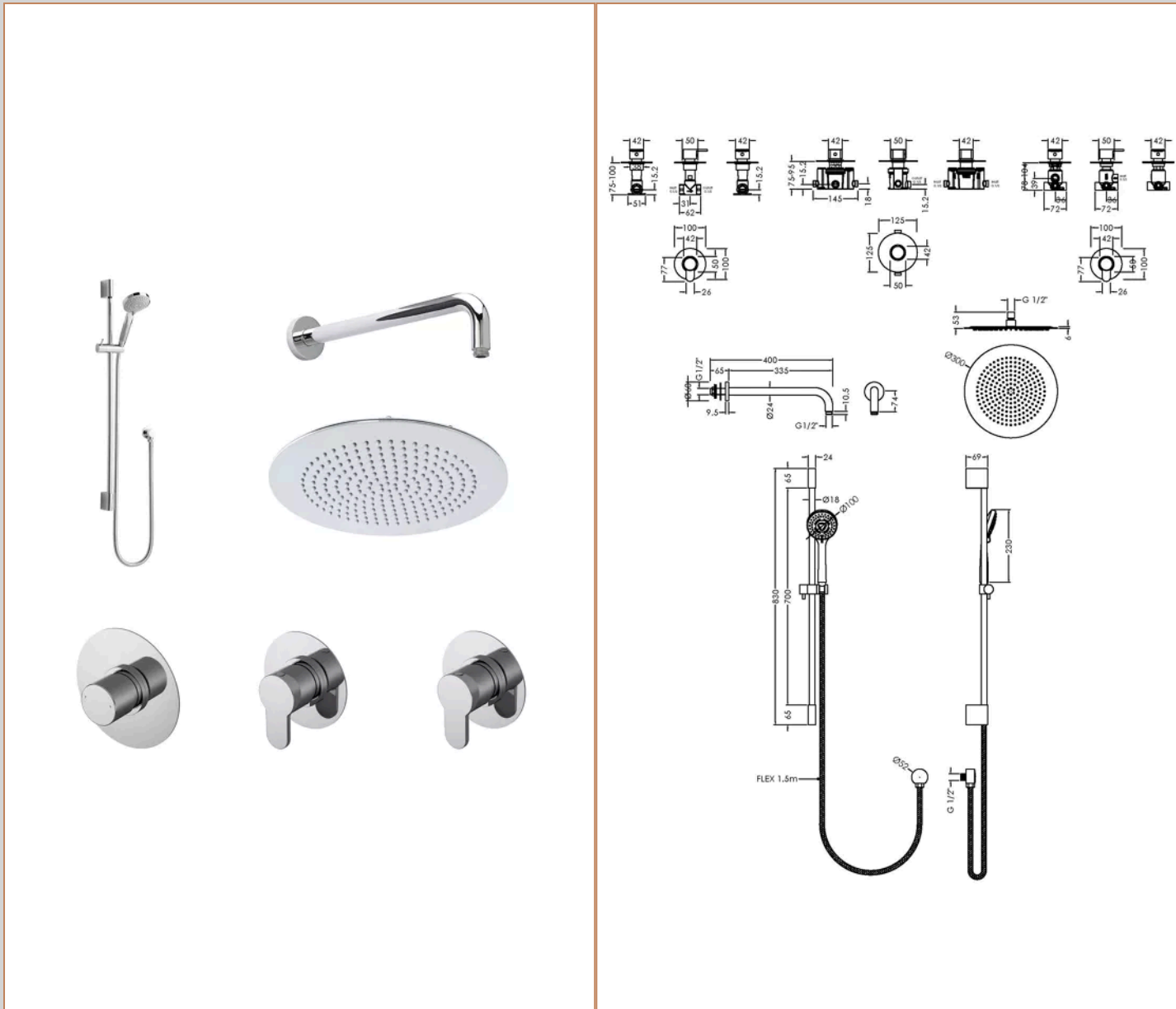


**Sales Code:** SBR128ST2

**Barcode:** 5056462648354

**Brand:** nuie

**Description:** nuie 2 Outlet Concealed Shower Valve With Stop Tap & Diverter



### Product Dimensions

Nett Weight	0 kg
Packaged Weight	0 kg

### Product Details

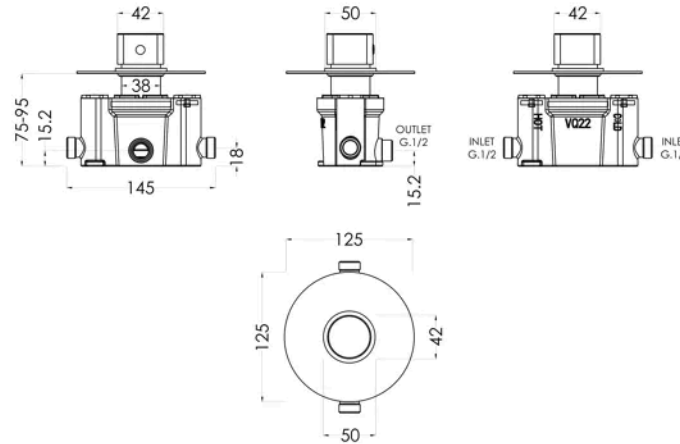
Country of Origin	China
Product Material	Brass Abs
Control Type	Manual
Valve/Cartridge Type	Single Lever Cartridge
Colour/Finish	Chrome
Style	Contemporary
Hose Length	1500 mm
Min Operating Pressure	0.2 Bar
Minimum Operation Pressure	0 Bar
No. Of Body Jets	0.0000
No. Outlets	2.0000
Valve / Cartridge Type	Single Lever Cartridge

**Sales Code:** ARVTC11

**Barcode:** 5056211898719

**Brand:** nuie

**Description:** nuie Arvan Chrome Thermostatic Shower Valve



### Product Dimensions

Product	125 x 125 x 135mm (H x W x D)
Packaged	121 x 181 x 246mm (H x W x D)
Outer Box	750 x 380 x 260mm (H x W x D)
Nett Weight	1 kg
Packaged Weight	1 kg

### Packaging Details

Label Size (mm)	50 x 100
Label Colour	White
Label Qty	1.0000

### Product Details

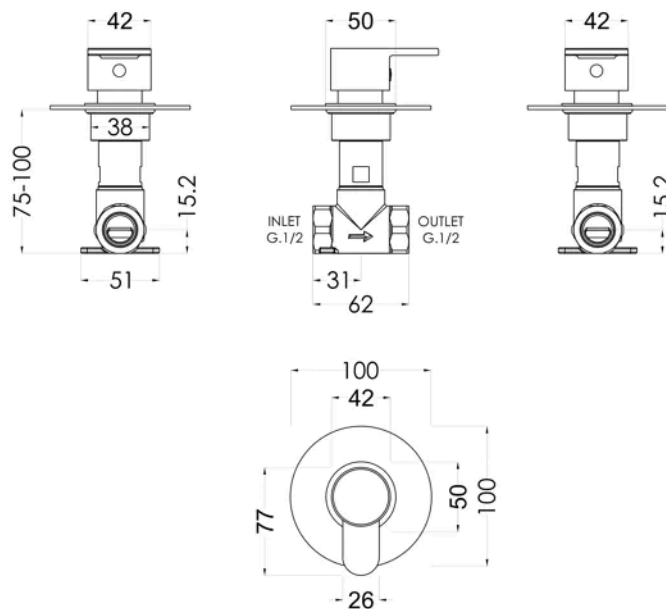
Country of Origin	China
Product Material	Brass Abs
Control Type	Manual
WRAS Approved	No
Colour/Finish	Chrome
Mount Type	Recessed/Wall
Style	Contemporary
Handle Type	Lever/Round
TMV2 Approved	No
TMV3 Approved	No
Handset Included	No
Head Included	No
Min Operating Pressure	0.1 Bar
Minimum Operation Pressure	0 Bar
No. Outlets	1.0000
Outlet Elbow Supplied	No

**Sales Code:** ARVST10

**Barcode:** 5056211898726

**Brand:** nuie

**Description:** nuie Arvan Chrome Concealed Shower Valve



**Product Dimensions**

Product	100 x 100 x 135mm (H x W x D)
Packaged	100 x 157 x 175mm (H x W x D)
Outer Box	560 x 330 x 195mm (H x W x D)
Nett Weight	0.77 kg
Packaged Weight	0.77 kg

**Packaging Details**

Label Size (mm)	50 x 100
Label Colour	White
Label Qty	1.0000

**Product Details**

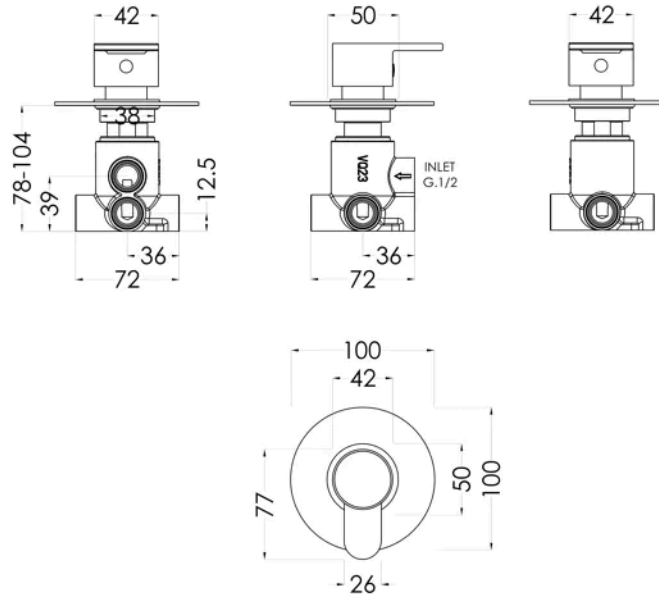
Country of Origin	China
Product Material	Brass
Control Type	Manual
WRAS Approved	No
Valve/Cartridge Type	1/4 Turn
Colour/Finish	Chrome
Mount Type	Recessed/Wall
Style	Contemporary
Handle Type	Lever/Round
TMV2 Approved	No
TMV3 Approved	No
Handset Included	No
Head Included	No
Min Operating Pressure	0.2 Bar
Minimum Operation Pressure	0 Bar
No. Outlets	1.0000
Outlet Elbow Supplied	No
Valve / Cartridge Type	1/4 Turn

**Sales Code:** ARVWD14

**Barcode:** 5056211898733

**Brand:** nuie

**Description:** nuie Arvan Chrome Triple Concealed Shower Valve With Diverter



### Product Dimensions

Product	100 x 100 x 135mm (H x W x D)
Packaged	124 x 175 x 189mm (H x W x D)
Outer Box	720 x 370 x 220mm (H x W x D)
Nett Weight	1.05 kg
Packaged Weight	1.05 kg

### Packaging Details

Label Size (mm)	50 x 100
Label Colour	White
Label Qty	1.0000

### Product Details

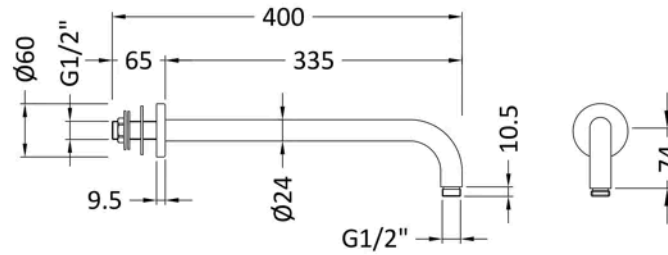
Country of Origin	China
Product Material	Brass
Control Type	Manual
WRAS Approved	No
Valve/Cartridge Type	1/4 Turn
Colour/Finish	Chrome
Mount Type	Recessed/Wall
Style	Contemporary
Handle Type	Lever/Round
TMV2 Approved	No
TMV3 Approved	No
Handset Included	No
Head Included	No
Min Operating Pressure	0.2 Bar
Minimum Operation Pressure	0 Bar
No. Outlets	4.0000
Outlet Elbow Supplied	No
Valve / Cartridge Type	1/4 Turn

**Sales Code:** ARM01

**Barcode:** 5055146185604

**Brand:** nuie

**Description:** Chrome Wall-Mounted Shower Arm



### Product Dimensions

Product	104 x 62 x 395mm (H x W x D)
Packaged	420 x 38 x 102mm (H x W x D)
Outer Box	385 x 220 x 430mm (H x W x D)
Nett Weight	0.32 kg
Packaged Weight	0.5 kg

### Packaging Details

Label Size (mm)	50 x 100
Label Colour	White
Label Qty	2.0000

### Product Details

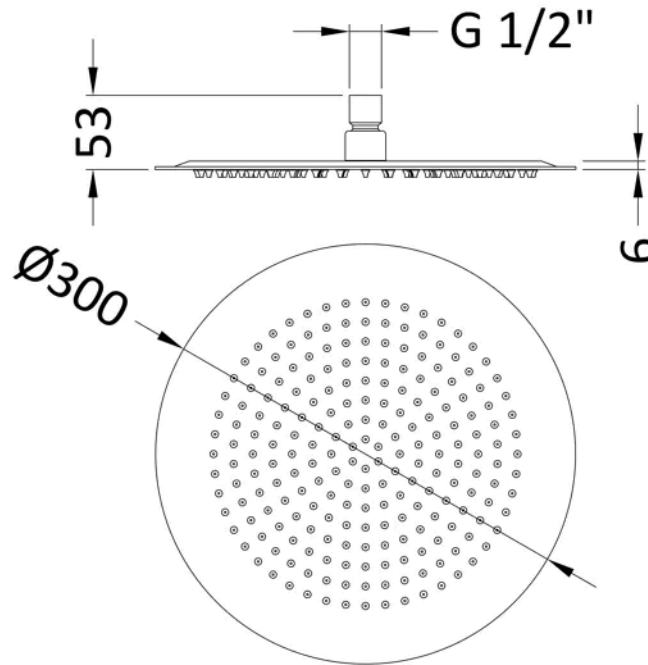
Country of Origin	China
Product Material	Brass
Colour/Finish	Chrome
Style	Contemporary

**Sales Code:** HEAD26

**Barcode:** 5055146185963

**Brand:** nuie

**Description:** Chrome Fixed Shower Head



**Product Dimensions**

Product	56 x 300 x 300mm (H x W x D)
Packaged	90 x 330 x 330mm (H x W x D)
Outer Box	320 x 335 x 650mm (H x W x D)
Nett Weight	1 kg
Packaged Weight	1.32 kg

**Packaging Details**

Label Size (mm)	50 x 100
Label Colour	White
Label Qty	2.0000

**Product Details**

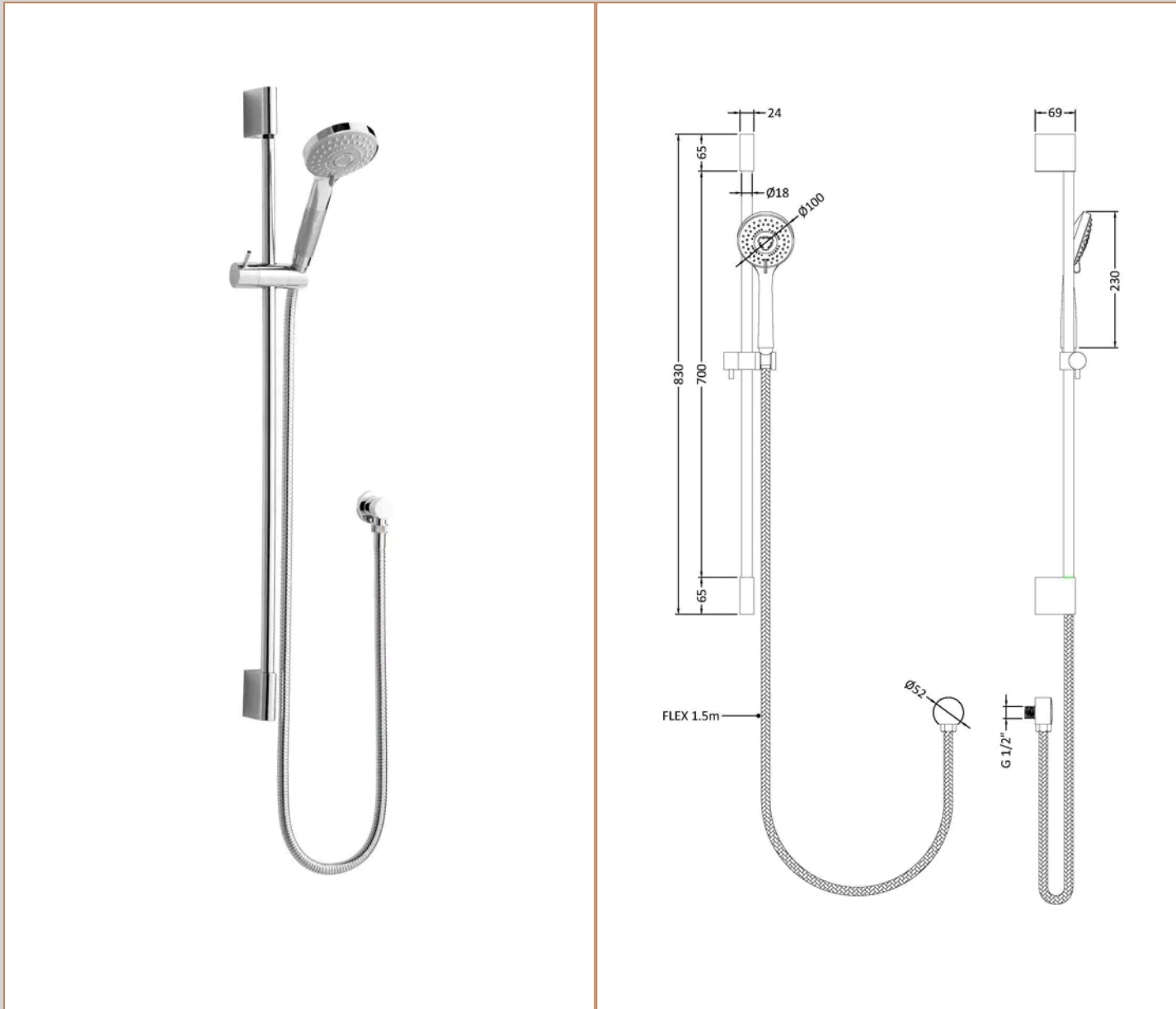
Country of Origin	China
Product Material	Stainless Steel
Control Type	Not Applicable
WRAS Approved	No
Colour/Finish	Chrome
Mount Type	Surface/Wall
Style	Contemporary
Easy Clean	Yes
TMV2 Approved	No
TMV3 Approved	No
Handset Included	No
Head Included	Yes
Min Operating Pressure	0.5 Bar
Minimum Operation Pressure	1 Bar
Outlet Elbow Supplied	No

**Sales Code:** A3041

**Barcode:** 5055146181132

**Brand:** nuie

**Description:** Chrome Shower Slide Rail Kit



### Product Dimensions

Product	830 x 10 x 70mm (H x W x D)
Packaged	95 x 154 x 725mm (H x W x D)
Outer Box	500 x 330 x 750mm (H x W x D)
Nett Weight	1.38 kg
Packaged Weight	1.5 kg

### Packaging Details

Label Size (mm)	50 x 100
Label Colour	White
Label Qty	2.0000

### Product Details

Country of Origin	China
Product Material	Brass Abs
Control Type	Not Applicable
WRAS Approved	No
Colour/Finish	Chrome
Mount Type	Surface/Wall
Style	Contemporary
Easy Clean	Yes
TMV2 Approved	No
TMV3 Approved	No
Handset Included	Yes
Head Included	No
Hose Included	Yes
Hose Length	1500 mm
Min Operating Pressure	0.5 Bar
Minimum Operation Pressure	1 Bar
No. Outlets	1.0000
Outlet Elbow Supplied	Yes