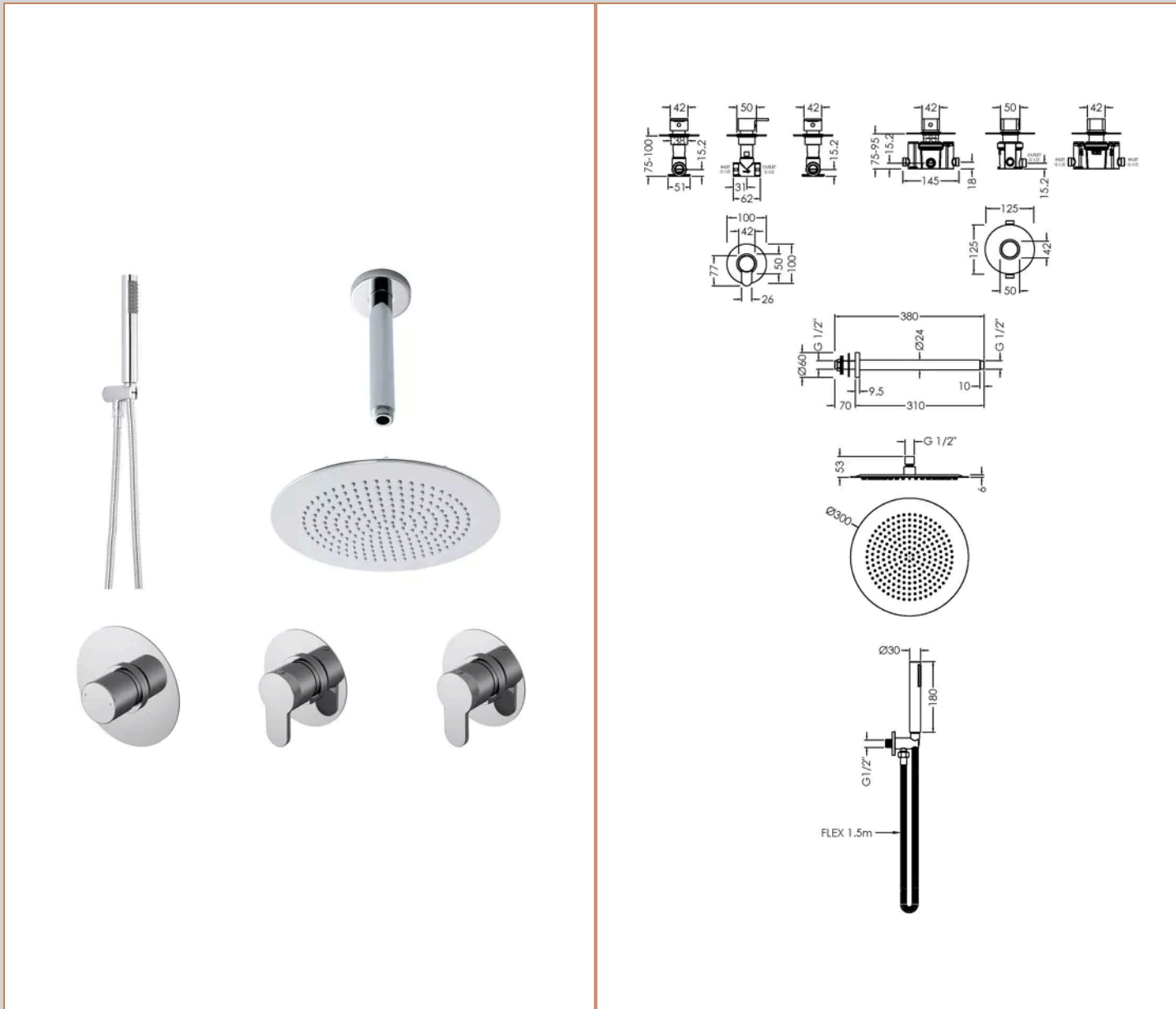


Sales Code: SBR131ST2

Barcode: 5056462648385

Brand: nuie

Description: nuie 2 Outlet Chrome Concealed Shower Valve With Stop Taps



Product Dimensions

| | |
|-----------------|------|
| Nett Weight | 0 kg |
| Packaged Weight | 0 kg |

Product Details

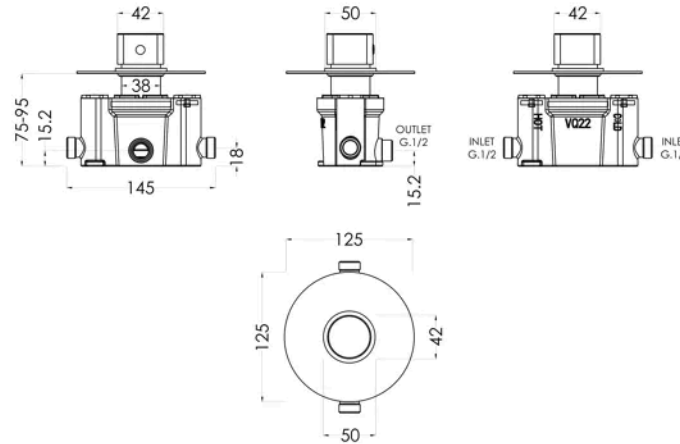
| | |
|----------------------------|------------------------|
| Country of Origin | China |
| Product Material | Brass Abs |
| Control Type | Manual |
| Valve/Cartridge Type | Single Lever Cartridge |
| Colour/Finish | Chrome |
| Style | Contemporary |
| Min Operating Pressure | 0.1 Bar |
| Minimum Operation Pressure | 0 Bar |
| No. Of Body Jets | 0.0000 |
| No. Outlets | 2.0000 |
| Valve / Cartridge Type | Single Lever Cartridge |

Sales Code: ARVTC11

Barcode: 5056211898719

Brand: nuie

Description: nuie Arvan Chrome Thermostatic Shower Valve



Product Dimensions

| | |
|-----------------|-------------------------------|
| Product | 125 x 125 x 135mm (H x W x D) |
| Packaged | 121 x 181 x 246mm (H x W x D) |
| Outer Box | 750 x 380 x 260mm (H x W x D) |
| Nett Weight | 1 kg |
| Packaged Weight | 1 kg |

Packaging Details

| | |
|-----------------|----------|
| Label Size (mm) | 50 x 100 |
| Label Colour | White |
| Label Qty | 1.0000 |

Product Details

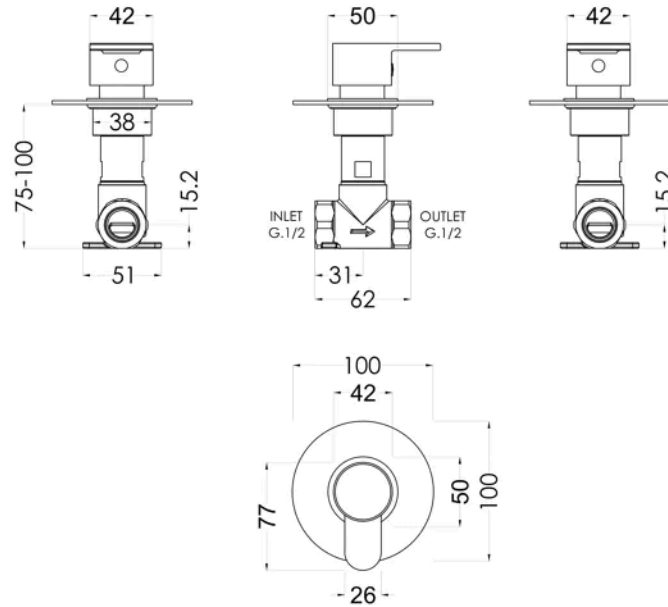
| | |
|----------------------------|---------------|
| Country of Origin | China |
| Product Material | Brass Abs |
| Control Type | Manual |
| WRAS Approved | No |
| Colour/Finish | Chrome |
| Mount Type | Recessed/Wall |
| Style | Contemporary |
| Handle Type | Lever/Round |
| TMV2 Approved | No |
| TMV3 Approved | No |
| Handset Included | No |
| Head Included | No |
| Min Operating Pressure | 0.1 Bar |
| Minimum Operation Pressure | 0 Bar |
| No. Outlets | 1.0000 |
| Outlet Elbow Supplied | No |

Sales Code: ARVST10

Barcode: 5056211898726

Brand: nuie

Description: nuie Arvan Chrome Concealed Shower Valve



Product Dimensions

| | |
|-----------------|-------------------------------|
| Product | 100 x 100 x 135mm (H x W x D) |
| Packaged | 100 x 157 x 175mm (H x W x D) |
| Outer Box | 560 x 330 x 195mm (H x W x D) |
| Nett Weight | 0.77 kg |
| Packaged Weight | 0.77 kg |

Packaging Details

| | |
|-----------------|----------|
| Label Size (mm) | 50 x 100 |
| Label Colour | White |
| Label Qty | 1.0000 |

Product Details

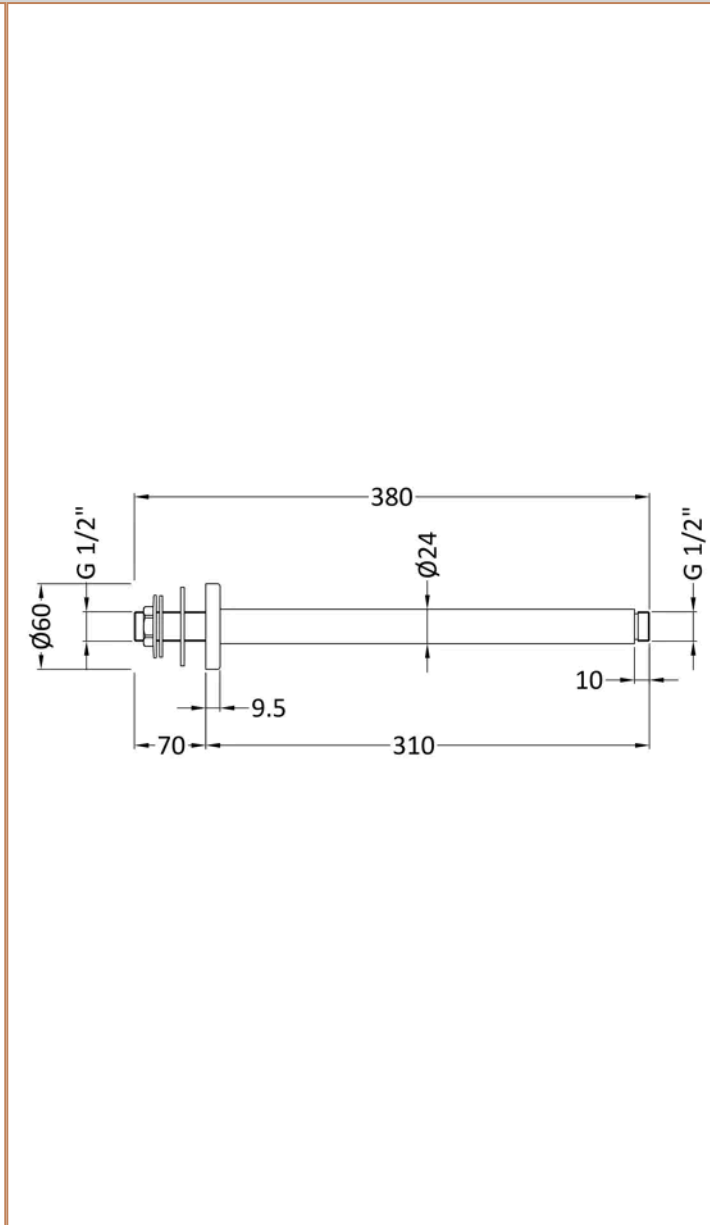
| | |
|----------------------------|---------------|
| Country of Origin | China |
| Product Material | Brass |
| Control Type | Manual |
| WRAS Approved | No |
| Valve/Cartridge Type | 1/4 Turn |
| Colour/Finish | Chrome |
| Mount Type | Recessed/Wall |
| Style | Contemporary |
| Handle Type | Lever/Round |
| TMV2 Approved | No |
| TMV3 Approved | No |
| Handset Included | No |
| Head Included | No |
| Min Operating Pressure | 0.2 Bar |
| Minimum Operation Pressure | 0 Bar |
| No. Outlets | 1.0000 |
| Outlet Elbow Supplied | No |
| Valve / Cartridge Type | 1/4 Turn |

Sales Code: ARM16

Barcode: 5055369013296

Brand: nuie

Description: Chrome Ceiling-Mounted Shower Arm



Product Dimensions

| | |
|-----------------|-------------------------------|
| Product | 300 x 60 x 60mm (H x W x D) |
| Packaged | 70 x 115 x 410mm (H x W x D) |
| Outer Box | 430 x 490 x 380mm (H x W x D) |
| Nett Weight | 0.55 kg |
| Packaged Weight | 0.57 kg |

Packaging Details

| | |
|-----------------|----------|
| Label Size (mm) | 50 x 100 |
| Label Colour | White |
| Label Qty | 2.0000 |

Product Details

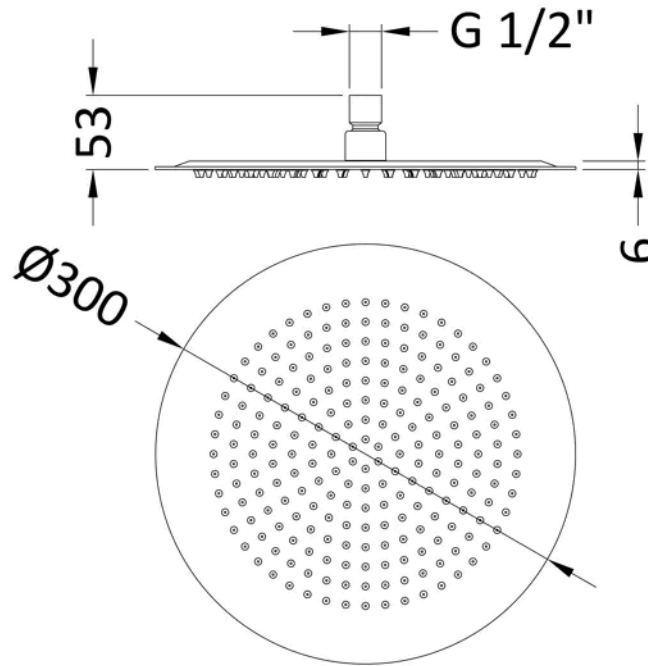
| | |
|-------------------|--------------|
| Country of Origin | China |
| Product Material | Brass |
| Colour/Finish | Chrome |
| Style | Contemporary |

Sales Code: HEAD26

Barcode: 5055146185963

Brand: nuie

Description: Chrome Fixed Shower Head



Product Dimensions

| | |
|-----------------|-------------------------------|
| Product | 56 x 300 x 300mm (H x W x D) |
| Packaged | 90 x 330 x 330mm (H x W x D) |
| Outer Box | 320 x 335 x 650mm (H x W x D) |
| Nett Weight | 1 kg |
| Packaged Weight | 1.32 kg |

Packaging Details

| | |
|-----------------|----------|
| Label Size (mm) | 50 x 100 |
| Label Colour | White |
| Label Qty | 2.0000 |

Product Details

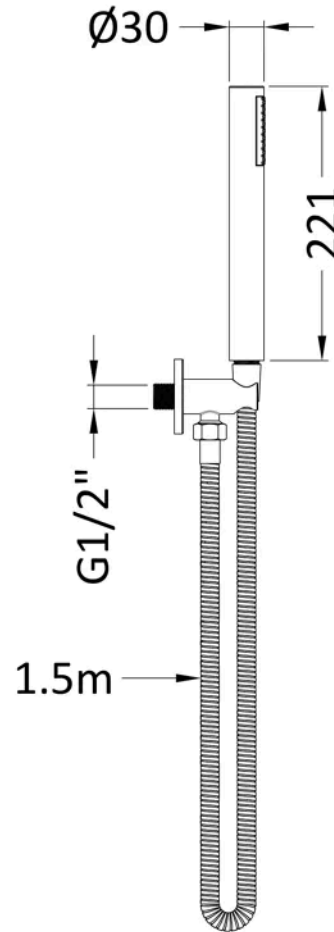
| | |
|----------------------------|-----------------|
| Country of Origin | China |
| Product Material | Stainless Steel |
| Control Type | Not Applicable |
| WRAS Approved | No |
| Colour/Finish | Chrome |
| Mount Type | Surface/Wall |
| Style | Contemporary |
| Easy Clean | Yes |
| TMV2 Approved | No |
| TMV3 Approved | No |
| Handset Included | No |
| Head Included | Yes |
| Min Operating Pressure | 0.5 Bar |
| Minimum Operation Pressure | 1 Bar |
| Outlet Elbow Supplied | No |

Sales Code: A3263

Barcode: 5055369016969

Brand: nuie

Description: Chrome Shower Handset Kit Parking Bracket Kit Outlet Elbow



Product Dimensions

| | |
|-----------------|-------------------------------|
| Product | 1230 x 30 x 55mm (H x W x D) |
| Packaged | 130 x 185 x 275mm (H x W x D) |
| Nett Weight | 0.62 kg |
| Packaged Weight | 0.62 kg |

Packaging Details

| | |
|-----------------|----------|
| Label Size (mm) | 50 x 100 |
| Label Colour | White |
| Label Qty | 2.0000 |

Product Details

| | |
|----------------------------|----------------|
| Country of Origin | United Kingdom |
| Product Material | Brass Abs |
| Control Type | Not Applicable |
| WRAS Approved | No |
| Colour/Finish | Chrome |
| Mount Type | Surface/Wall |
| Style | Contemporary |
| TMV2 Approved | No |
| TMV3 Approved | No |
| Handset Included | Yes |
| Head Included | No |
| Hose Included | Yes |
| Hose Length | 1500 mm |
| Min Operating Pressure | 0.1 Bar |
| Minimum Operation Pressure | 0 Bar |
| Outlet Elbow Supplied | Yes |