

**Sales Code:** ENZW005

**Barcode:** 5056678428832

**Brand:** nuie

**Description:** nuie 800mm Frameless Walk-In Chrome Wetroom Screen Set With Tray



*Technical Drawing Not Available*

**Product Dimensions**

Product	1950 x 800 x 40mm (H x W x D)
Nett Weight	91.74 kg
Packaged Weight	91.8 kg

**Product Details**

Country of Origin	China
Product Material	Acrylic Capped Abs Caco3 And Pu,Aluminium,Glass
Colour/Finish	Chrome
Style	Contemporary
Ce Certified	Yes
Enclosure Design	Frameless
Glass Thickness	8 mm
Waste Included	No

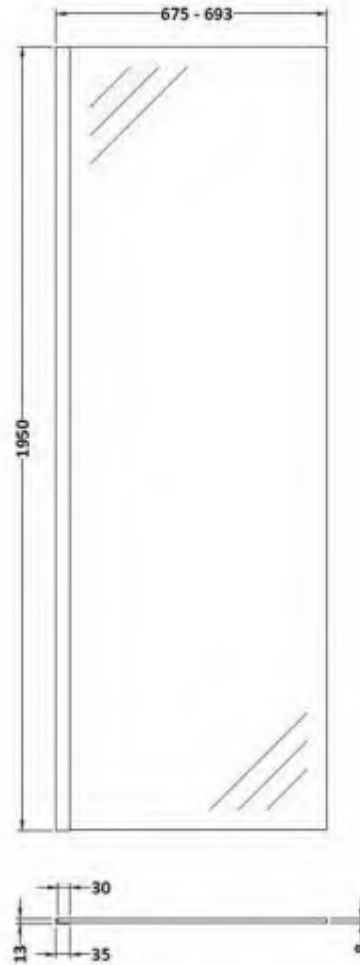
**Sales Code:** WRSB700G

**Barcode:** 5056462620718

**Brand:** Hudson  
Reed

**Description:** Wetroom Screen 700 X1950mm

Product Image Not Available



**Product Dimensions**

Product	1950 x 700 x 40mm (H x W x D)
Packaged	2070 x 750 x 60mm (H x W x D)
Nett Weight	29.44 kg
Packaged Weight	29.44 kg

**Packaging Details**

Label Size (mm)	50 x 100
-----------------	----------

**Product Details**

Country of Origin	China
Product Material	Aluminium
Colour/Finish	Chrome
Style	Contemporary
Easy Clean	Yes
Adjustment Max	693
Adjustment Min	675
Ce Certified	Yes
Declaration Of Performance	Yes
Easy Fit	No
Enclosure Design	Semi-Frameless
Frame Finish	Chrome
Glass Thickness	8 mm
Handles Included	No
Support Bar Included	No
Ukca Certified	Yes

**Sales Code:** WRSB800G

**Barcode:** 5056460000000

**Brand:** OEM

**Description:** Missing title



**Product Dimensions**

Product	1950 x 800 x 8mm (H x W x D)
Packaged	65 x 830 x 2010mm (H x W x D)
Nett Weight	35.9 kg
Packaged Weight	35.9 kg

**Product Details**

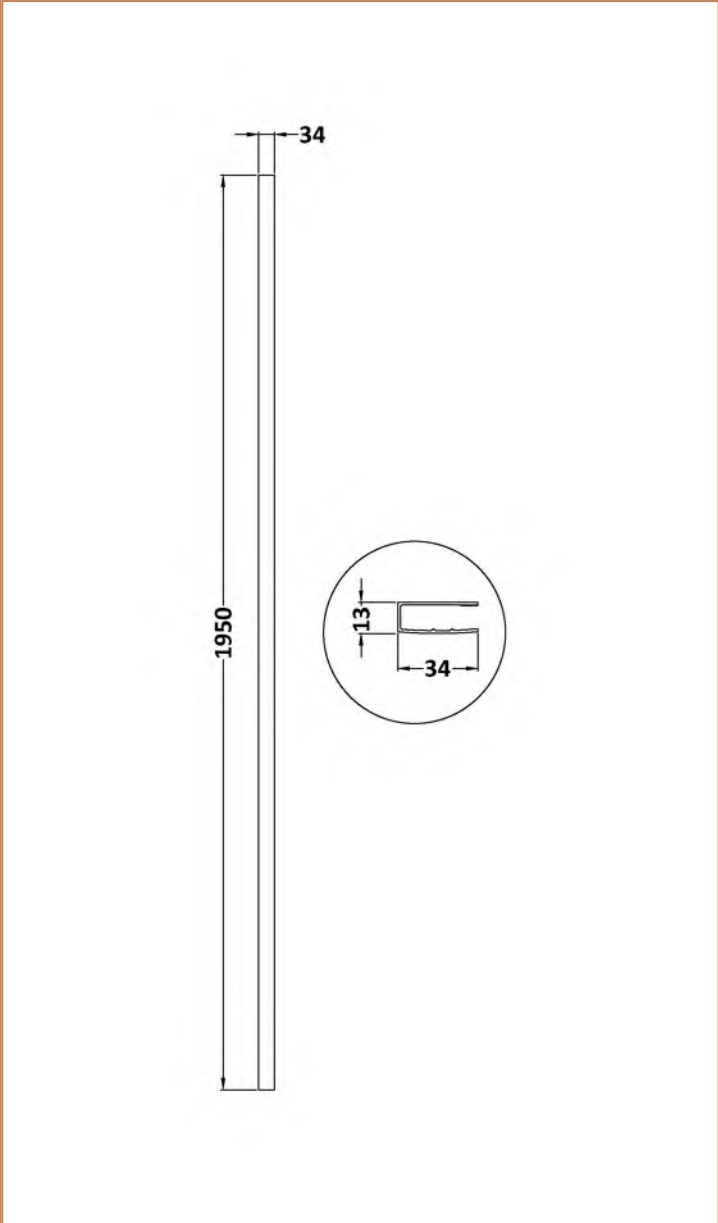
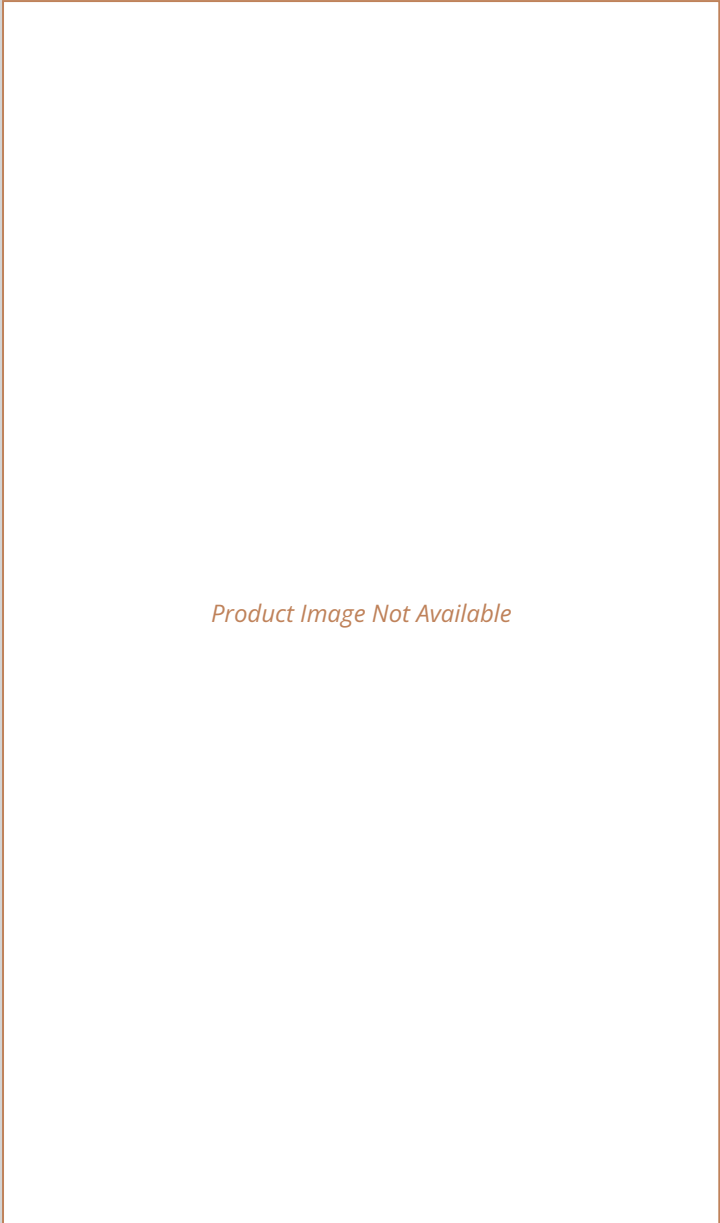
Country of Origin	China
Easy Clean	No
Ce Certified	Yes
Easy Fit	No
Enclosure Design	Frameless
Glass Thickness	8 mm

**Sales Code:** WRSF018

**Barcode:** 5056462620695

**Brand:** Hudson Reed

**Description:** Hudson Reed Chrome Wetroom Screen



**Product Dimensions**

Product	1950mm (H)
Packaged	45 x 185 x 1970mm (H x W x D)
Nett Weight	0.8 kg
Packaged Weight	0.8 kg

**Product Details**

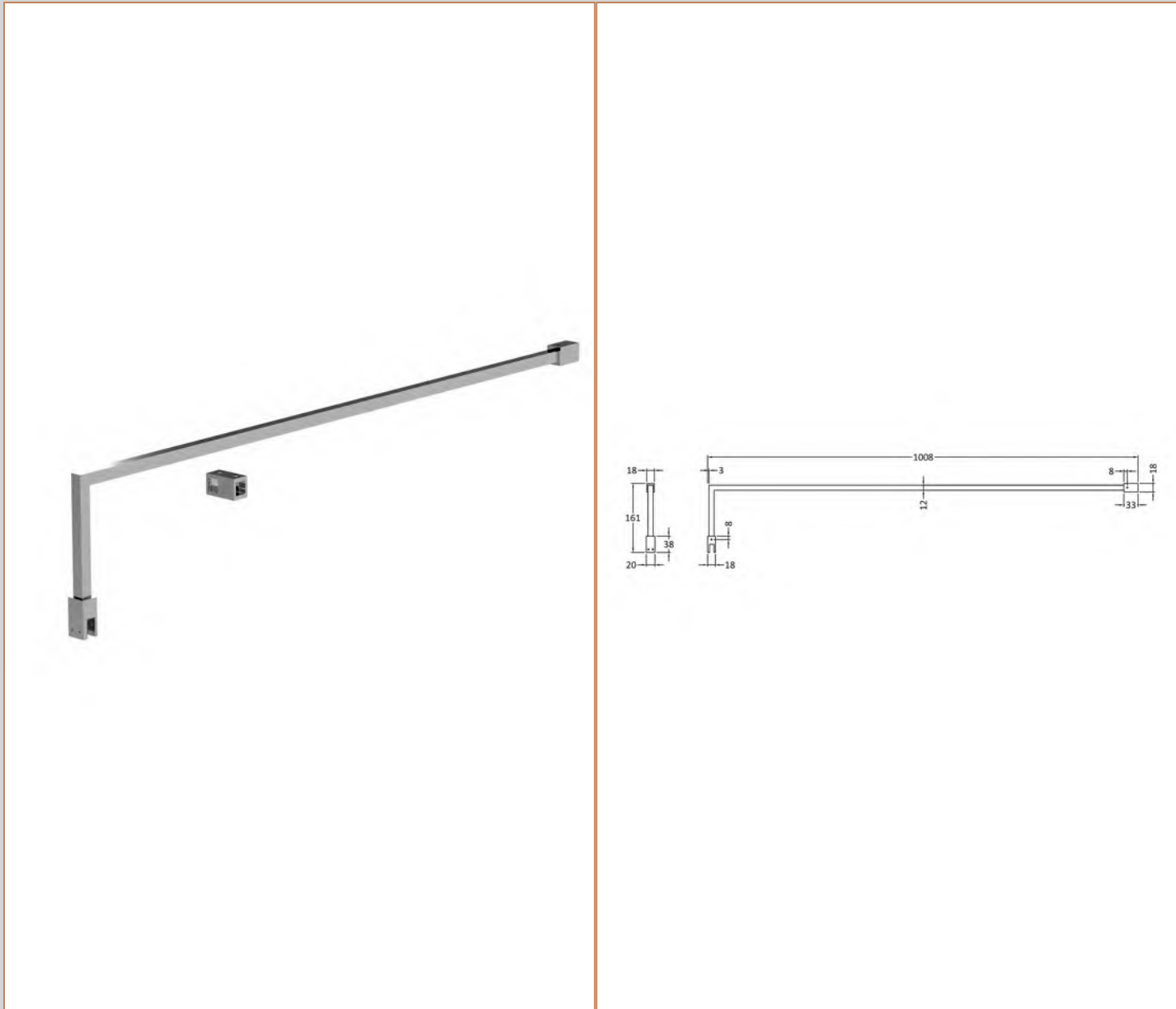
Country of Origin	China
Colour/Finish	Chrome
Ce Certified	Yes
Frame Finish	Chrome

**Sales Code:** FIX023

**Barcode:** 5056211800002

**Brand:** nuie

**Description:** nuie Chrome Wetroom Screen Support Arm



**Product Dimensions**

Product	150 x 15 x 1000mm (H x W x D)
Packaged	1020 x 160 x 35mm (H x W x D)
Nett Weight	0.67 kg
Packaged Weight	0.7 kg

**Product Details**

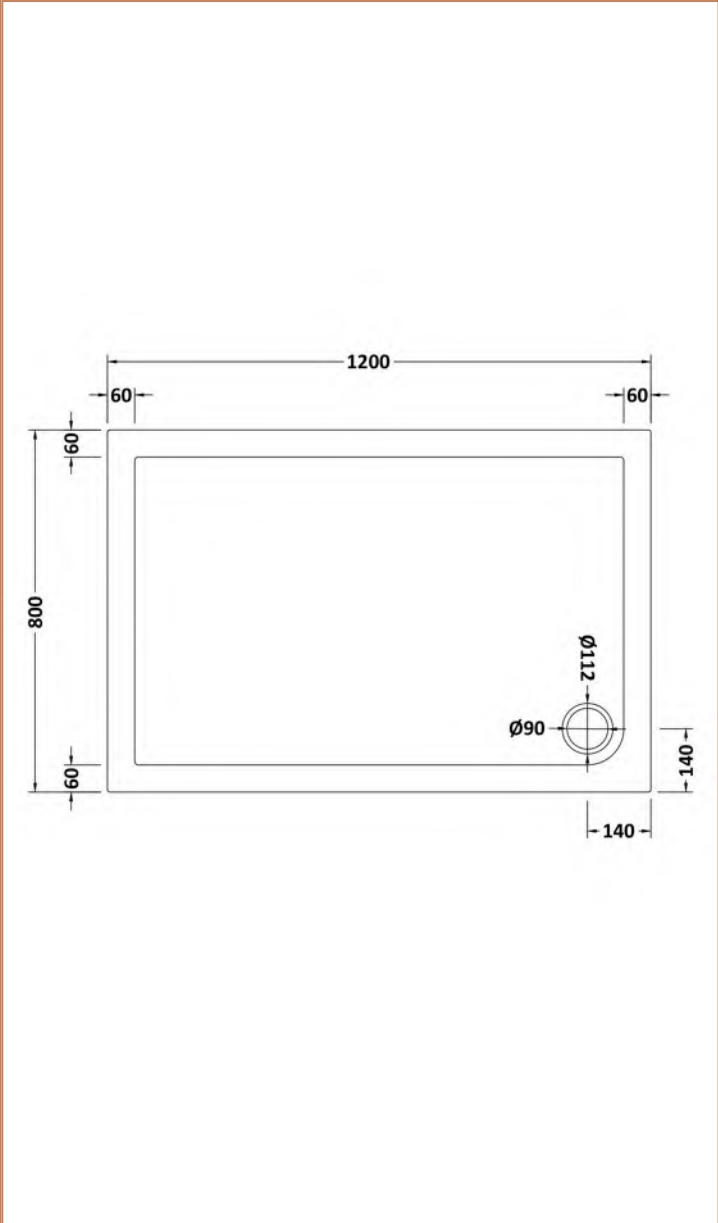
Country of Origin	China
Product Material	Stainless Steel
Colour/Finish	Chrome
Style	Contemporary

**Sales Code:** NTP023

**Barcode:** 5055369006311

**Brand:** nuie

**Description:** nuie 1200 x 800mm Rectangular Shower Tray



**Product Dimensions**

Product	40 x 800 x 1200mm (H x W x L)
Packaged	80 x 840 x 1240mm (H x W x D)
Nett Weight	29.8 kg
Packaged Weight	30.1 kg

**Product Details**

Country of Origin	United Kingdom
Product Material	Acrylic Capped Abs Caco3 And Pu
Colour/Finish	White
Style	Contemporary
Fixings Included	No
Ce Certified	Yes
Leg Set Included	No
Legs Included	No
Raised Edge	Yes
Slip Resistant	No
Waste Included	No
Waste Size Required	90mm