

Sales Code: ENZW017

Barcode: 5056678428719

Brand: nuie

Description: nuie 900mm Frameless Walk-In Chrome Wetroom Screen Set With Tray



Technical Drawing Not Available

Product Dimensions

Product	1950 x 900 x 40mm (H x W x D)
Nett Weight	109.54 kg
Packaged Weight	109.6 kg

Product Details

Country of Origin	China
Product Material	Acrylic Capped Abs Caco3 And Pu,Aluminium,Glass
Colour/Finish	Chrome
Style	Contemporary
Ce Certified	Yes
Enclosure Design	Frameless
Glass Thickness	8 mm
Waste Included	No

Sales Code: WRSB900G

Barcode: 5056460000000

Brand: OEM

Description: Missing title



Product Dimensions

Product	1950 x 900 x 8mm (H x W x D)
Packaged	65 x 930 x 2010mm (H x W x D)
Nett Weight	40.3 kg
Packaged Weight	40.3 kg

Product Details

Country of Origin	China
Easy Clean	No
Ce Certified	Yes
Easy Fit	No
Enclosure Design	Frameless
Glass Thickness	8 mm

Sales Code: WRSB800G

Barcode: 5056460000000

Brand: OEM

Description: Missing title



Product Dimensions

Product	1950 x 800 x 8mm (H x W x D)
Packaged	65 x 830 x 2010mm (H x W x D)
Nett Weight	35.9 kg
Packaged Weight	35.9 kg

Product Details

Country of Origin	China
Easy Clean	No
Ce Certified	Yes
Easy Fit	No
Enclosure Design	Frameless
Glass Thickness	8 mm

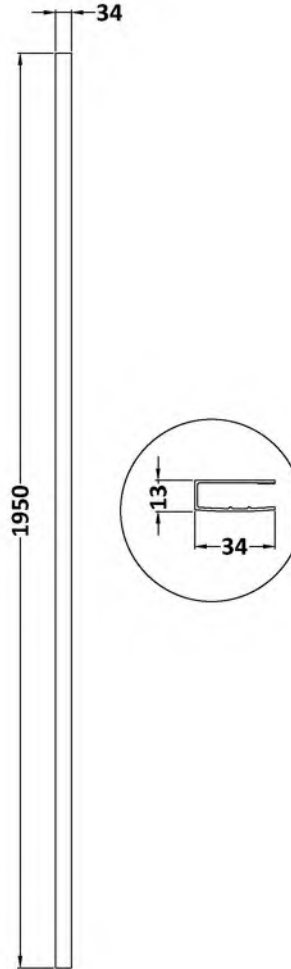
Sales Code: WRSF018

Barcode: 5056462620695

Brand: Hudson Reed

Description: Hudson Reed Chrome Wetroom Screen

Product Image Not Available



Product Dimensions

Product	1950mm (H)
Packaged	45 x 185 x 1970mm (H x W x D)
Nett Weight	0.8 kg
Packaged Weight	0.8 kg

Product Details

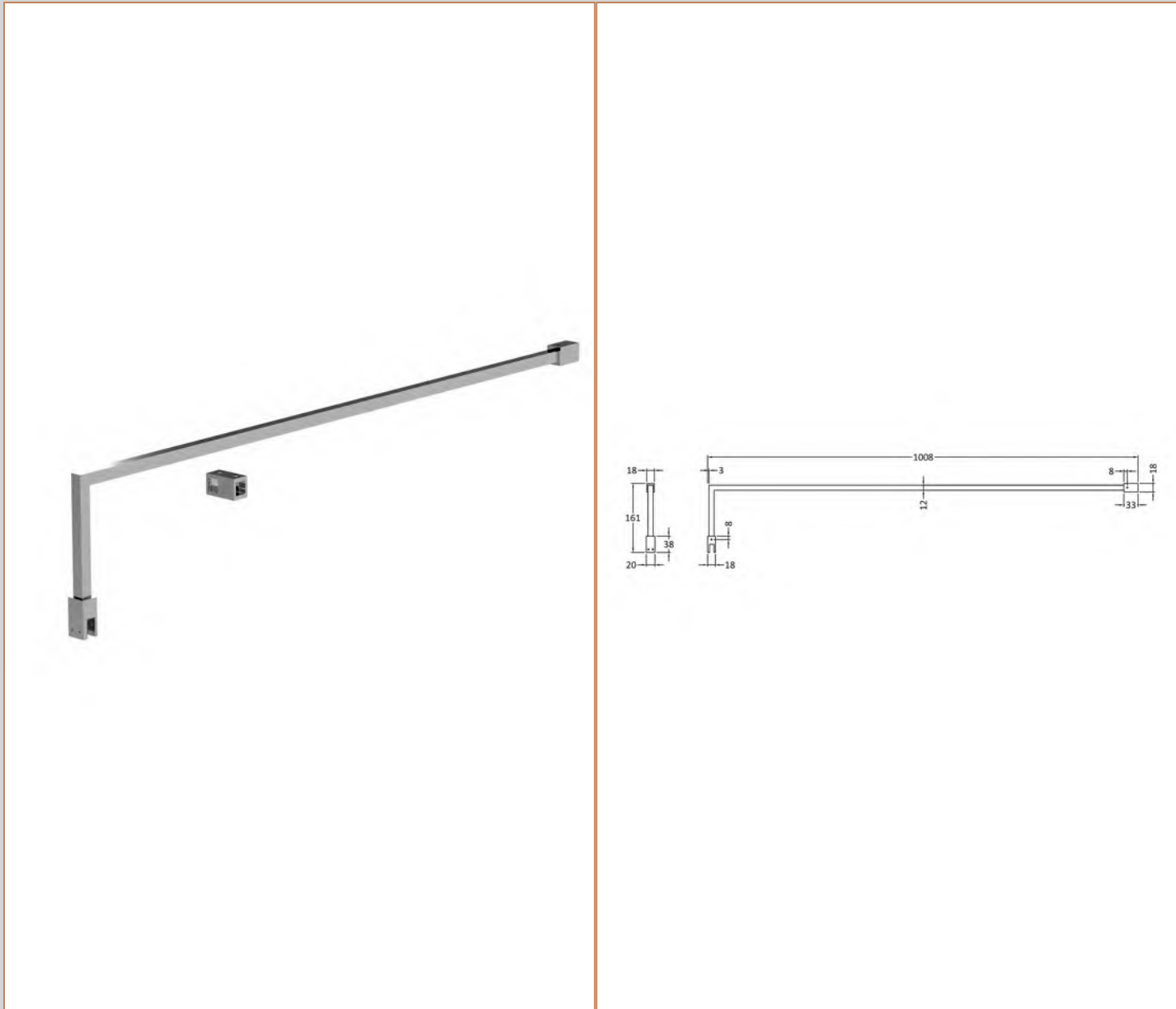
Country of Origin	China
Colour/Finish	Chrome
Ce Certified	Yes
Frame Finish	Chrome

Sales Code: FIX023

Barcode: 5056211800002

Brand: nuie

Description: Chrome Wetroom Screen Support Arm



Product Dimensions

Product	150 x 15 x 1000mm (H x W x D)
Packaged	1020 x 160 x 35mm (H x W x D)
Nett Weight	0.67 kg
Packaged Weight	0.7 kg

Product Details

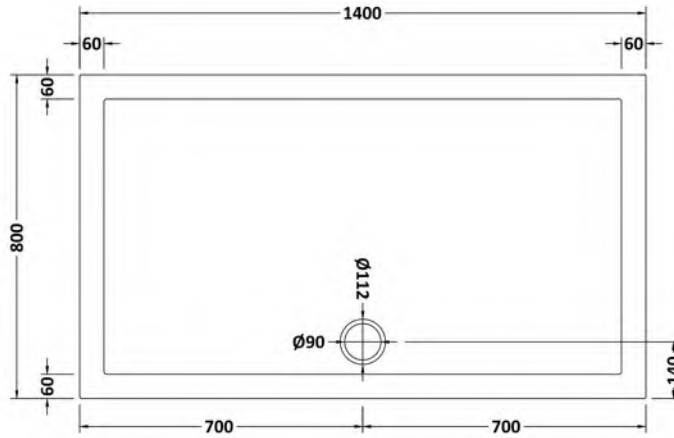
Country of Origin	China
Product Material	Stainless Steel
Colour/Finish	Chrome
Style	Contemporary

Sales Code: NTP033

Barcode: 5055369006335

Brand: nuie

Description: 1400 x 800mm Rectangular Slimline Shower Tray



Product Dimensions

Product	40 x 800 x 1400mm (H x W x L)
Packaged	80 x 840 x 1440mm (H x W x D)
Nett Weight	36.6 kg
Packaged Weight	36.9 kg

Product Details

Country of Origin	United Kingdom
Product Material	Acrylic Capped Abs Caco3 And Pu
Colour/Finish	White
Style	Contemporary
Fixings Included	No
Ce Certified	Yes
Leg Set Included	No
Legs Included	No
Raised Edge	Yes
Slip Resistant	No
Waste Included	No
Waste Size Required	90mm