

**Sales Code:** ENZW043

**Barcode:** 5056678428450

**Brand:** nuie

**Description:** nuie 700mm Frameless Walk-In Chrome Wetroom Screen Set With Slate Grey Tray



Technical Drawing Not Available

**Product Dimensions**

Product	1950 x 700 x 40mm (H x W x D)
Nett Weight	92.2 kg
Packaged Weight	92.28 kg

**Product Details**

Country of Origin	China
Product Material	Acrylic Capped Abs Caco3 And Pu,Aluminium,Glass
Colour/Finish	Chrome
Style	Contemporary
Ce Certified	Yes
Enclosure Design	Frameless
Glass Thickness	8 mm
Waste Included	No

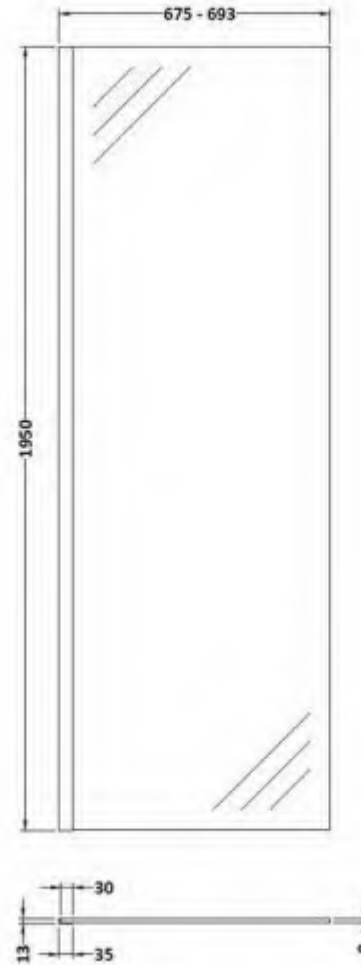
**Sales Code:**  
WRSB700G

**Barcode:** 5056462620718

**Brand:** Hudson  
Reed

**Description:** Wetroom Screen 700 X1950mm

Product Image Not Available



**Product Dimensions**

Product	1950 x 700 x 40mm (H x W x D)
Packaged	2070 x 750 x 60mm (H x W x D)
Nett Weight	29.44 kg
Packaged Weight	29.44 kg

**Packaging Details**

Label Size (mm)	50 x 100
-----------------	----------

**Product Details**

Country of Origin	China
Product Material	Aluminium
Colour/Finish	Chrome
Style	Contemporary
Easy Clean	Yes
Adjustment Max	693
Adjustment Min	675
Ce Certified	Yes
Declaration Of Performance	Yes
Easy Fit	No
Enclosure Design	Semi-Frameless
Frame Finish	Chrome
Glass Thickness	8 mm
Handles Included	No
Support Bar Included	No
Ukca Certified	Yes

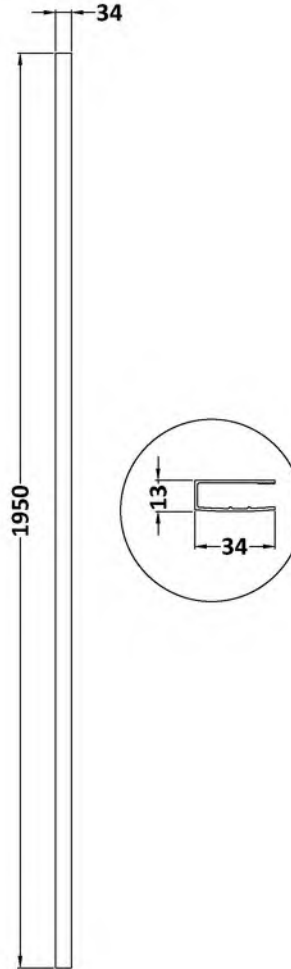
**Sales Code:** WRSF018

**Barcode:** 5056462620695

**Brand:** Hudson Reed

**Description:** Hudson Reed Chrome Wetroom Screen

*Product Image Not Available*



**Product Dimensions**

Product	1950mm (H)
Packaged	45 x 185 x 1970mm (H x W x D)
Nett Weight	0.8 kg
Packaged Weight	0.8 kg

**Product Details**

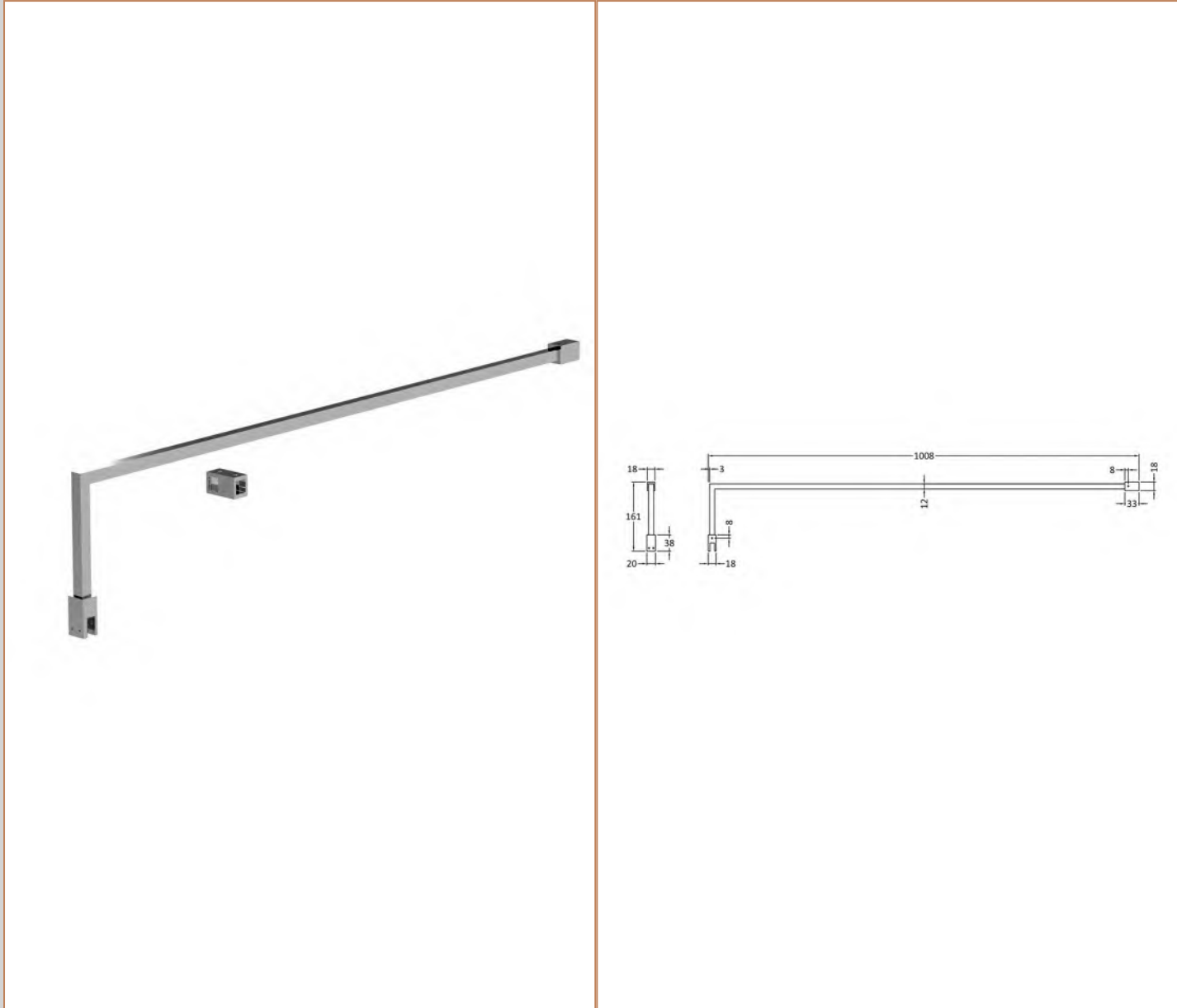
Country of Origin	China
Colour/Finish	Chrome
Ce Certified	Yes
Frame Finish	Chrome

**Sales Code:** FIX023

**Barcode:** 5056211800002

**Brand:** nuie

**Description:** Chrome Wetroom Screen Support Arm



**Product Dimensions**

Product	150 x 15 x 1000mm (H x W x D)
Packaged	1020 x 160 x 35mm (H x W x D)
Nett Weight	0.67 kg
Packaged Weight	0.7 kg

**Product Details**

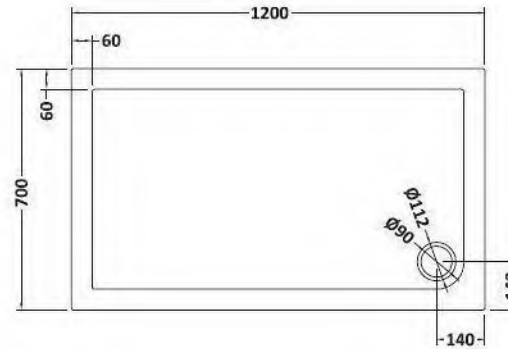
Country of Origin	China
Product Material	Stainless Steel
Colour/Finish	Chrome
Style	Contemporary

**Sales Code:** TR71011

**Barcode:** 5056211813217

**Brand:** nuie

**Description:** 1200 x 700mm Grey Slate Rectangular Shower Tray



### Product Dimensions

Product	40 x 700 x 1200mm (H x W x L)
Packaged	85 x 740 x 1240mm (H x W x D)
Nett Weight	26.1 kg
Packaged Weight	26.4 kg

### Product Details

Country of Origin	United Kingdom
Product Material	Acrylic Capped Abs Caco3 And Pu
Colour/Finish	Grey Slate
Style	Contemporary
Fixings Included	No
Ce Certified	Yes
Leg Set Included	No
Legs Included	No
Raised Edge	Yes
Slip Resistant	No
Waste Included	No
Waste Size Required	90mm