

Sales Code: ENZW077

Barcode: 5056678428115

Brand: nuie

Description: nuie 1198mm Frameless Walk-In Wetroom Screen Set With Slate Grey Tray



Technical Drawing Not Available

Product Dimensions

Product	1950 x 1198 x 14mm (H x W x D)
Nett Weight	132.57 kg
Packaged Weight	132.65 kg

Product Details

Country of Origin	China
Product Material	Acrylic Capped Abs Caco3 And Pu,Aluminium,Glass
Colour/Finish	Chrome
Style	Contemporary
Ce Certified	Yes
Enclosure Design	Frameless
Glass Thickness	8 mm
Waste Included	No

Sales Code: WRSB1200G

Barcode: 5056460000000

Brand: OEM

Description: Missing title



Product Dimensions

Product	1950 x 1200 x 8mm (H x W x D)
Packaged	65 x 1250 x 2010mm (H x W x D)
Nett Weight	53.2 kg
Packaged Weight	53.2 kg

Product Details

Country of Origin	China
Easy Clean	No
Ce Certified	Yes
Easy Fit	No
Enclosure Design	Frameless
Glass Thickness	8 mm

Sales Code: WRSB800G

Barcode: 5056460000000

Brand: OEM

Description: Missing title



Product Image Not Available



Technical Drawing Not Available

Product Dimensions

Product	1950 x 800 x 8mm (H x W x D)
Packaged	65 x 830 x 2010mm (H x W x D)
Nett Weight	35.9 kg
Packaged Weight	35.9 kg

Product Details

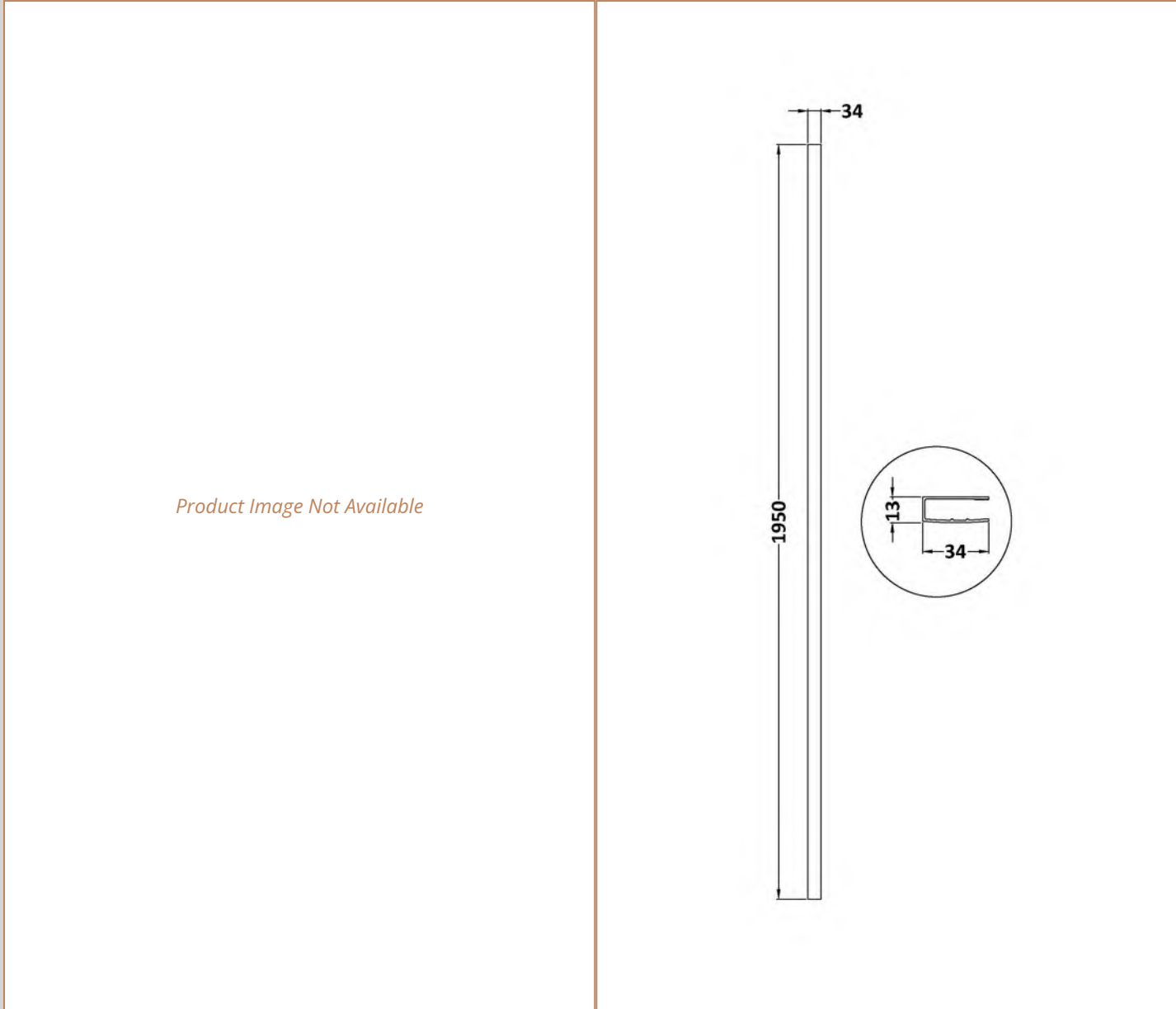
Country of Origin	China
Easy Clean	No
Ce Certified	Yes
Easy Fit	No
Enclosure Design	Frameless
Glass Thickness	8 mm

Sales Code: WRSF018

Barcode: 5056462620695

Brand: Hudson Reed

Description: Hudson Reed Chrome Wetroom Screen



Product Image Not Available

Product Dimensions

Product	1950mm (H)
Packaged	45 x 185 x 1970mm (H x W x D)
Nett Weight	0.8 kg
Packaged Weight	0.8 kg

Product Details

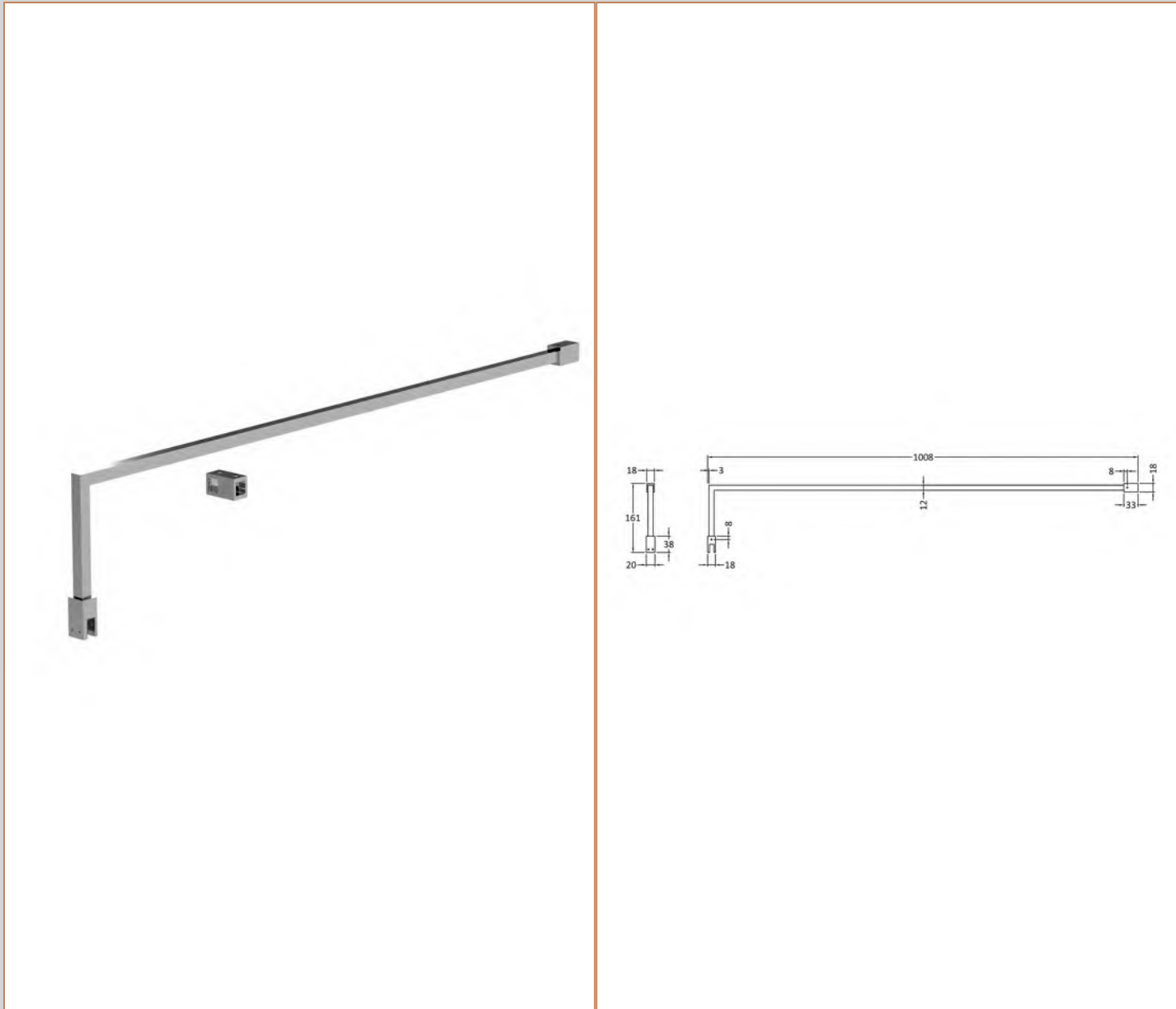
Country of Origin	China
Colour/Finish	Chrome
Ce Certified	Yes
Frame Finish	Chrome

Sales Code: FIX023

Barcode: 5056211800002

Brand: nuie

Description: Chrome Wetroom Screen Support Arm



Product Dimensions

Product	150 x 15 x 1000mm (H x W x D)
Packaged	1020 x 160 x 35mm (H x W x D)
Nett Weight	0.67 kg
Packaged Weight	0.7 kg

Product Details

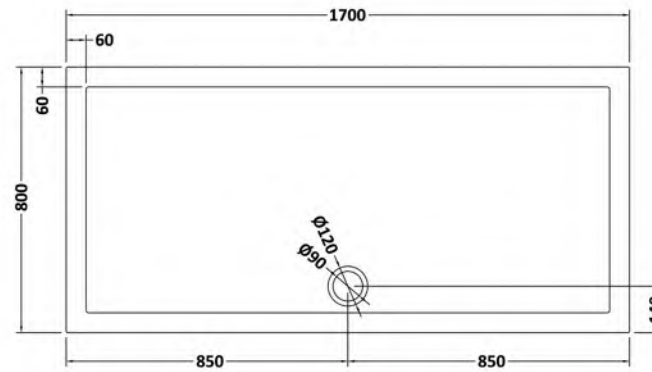
Country of Origin	China
Product Material	Stainless Steel
Colour/Finish	Chrome
Style	Contemporary

Sales Code: TR71063

Barcode: 5056211813330

Brand: nuie

Description: 1700 x 800mm Grey Slate Rectangular Slimline Shower Tray



Product Dimensions

Product	40 x 800 x 1700mm (H x W x L)
Packaged	85 x 840 x 1740mm (H x W x D)
Nett Weight	48.5 kg
Packaged Weight	48.8 kg

Product Details

Country of Origin	United Kingdom
Product Material	Acrylic Capped Abs Caco3 And Pu
Colour/Finish	Grey Slate
Style	Contemporary
Fixings Included	No
Ce Certified	Yes
Leg Set Included	No
Legs Included	No
Raised Edge	Yes
Slip Resistant	No
Waste Included	No
Waste Size Required	90mm