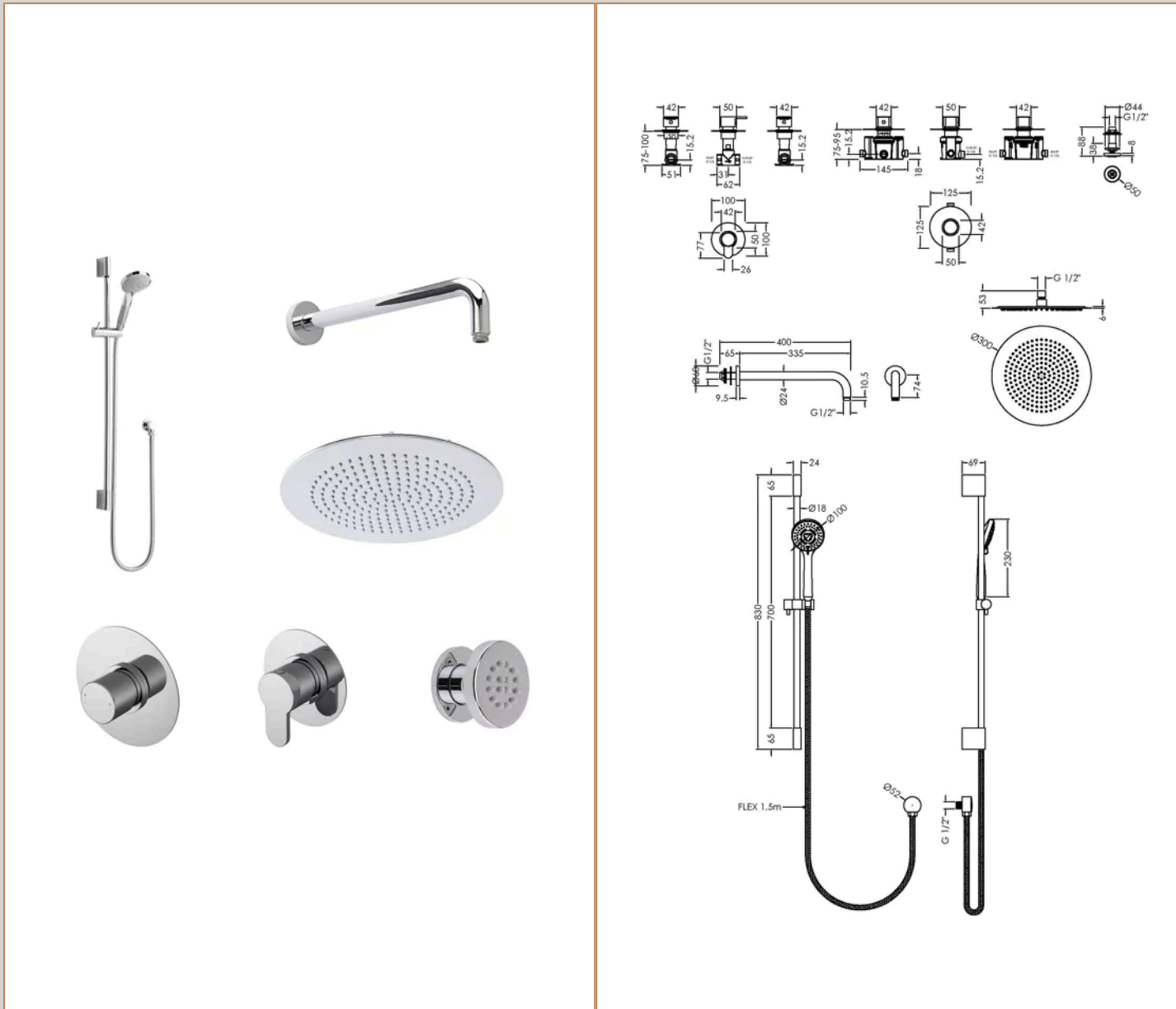


Sales Code: SBR134ST3

Barcode: 5056462648415

Brand: nuie

Description: nuie 3 Outlet Concealed Shower Valve With 3 Body Jets



Product Dimensions

Nett Weight	0 kg
Packaged Weight	0 kg

Product Details

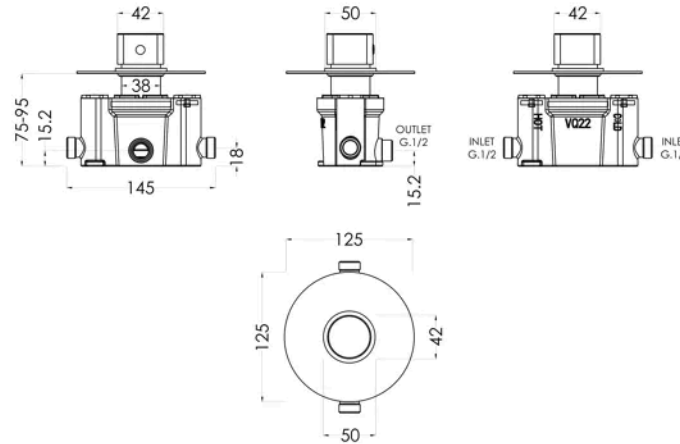
Country of Origin	China
Product Material	Brass Abs
Control Type	Manual
Valve/Cartridge Type	Single Lever Cartridge
Colour/Finish	Chrome
Style	Contemporary
Min Operating Pressure	0.2 Bar
Minimum Operation Pressure	0 Bar
No. Of Body Jets	3.0000
No. Outlets	3.0000
Valve / Cartridge Type	Single Lever Cartridge

Sales Code: ARVTC11

Barcode: 5056211898719

Brand: nuie

Description: nuie Arvan Chrome Thermostatic Shower Valve



Product Dimensions

Product	125 x 125 x 135mm (H x W x D)
Packaged	121 x 181 x 246mm (H x W x D)
Outer Box	750 x 380 x 260mm (H x W x D)
Nett Weight	1 kg
Packaged Weight	1 kg

Packaging Details

Label Size (mm)	50 x 100
Label Colour	White
Label Qty	1.0000

Product Details

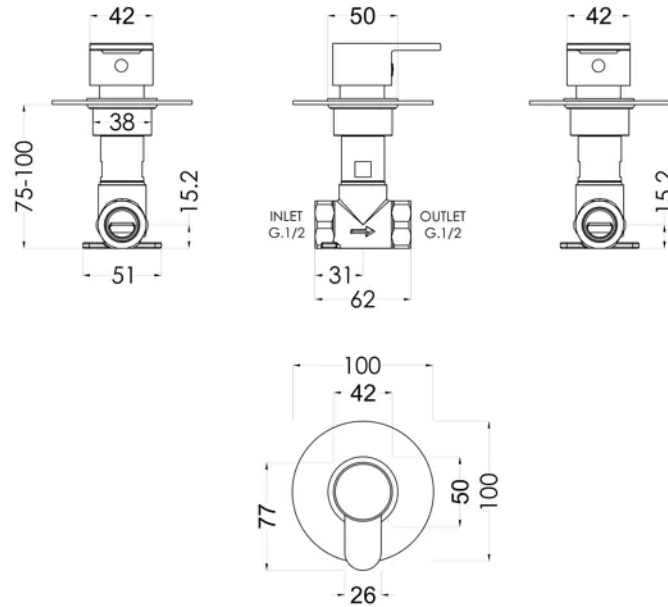
Country of Origin	China
Product Material	Brass Abs
Control Type	Manual
WRAS Approved	No
Colour/Finish	Chrome
Mount Type	Recessed/Wall
Style	Contemporary
Handle Type	Lever/Round
TMV2 Approved	No
TMV3 Approved	No
Handset Included	No
Head Included	No
Min Operating Pressure	0.1 Bar
Minimum Operation Pressure	0 Bar
No. Outlets	1.0000
Outlet Elbow Supplied	No

Sales Code: ARVST10

Barcode: 5056211898726

Brand: nuie

Description: nuie Arvan Chrome Concealed Shower Valve



Product Dimensions

Product	100 x 100 x 135mm (H x W x D)
Packaged	100 x 157 x 175mm (H x W x D)
Outer Box	560 x 330 x 195mm (H x W x D)
Nett Weight	0.77 kg
Packaged Weight	0.77 kg

Packaging Details

Label Size (mm)	50 x 100
Label Colour	White
Label Qty	1.0000

Product Details

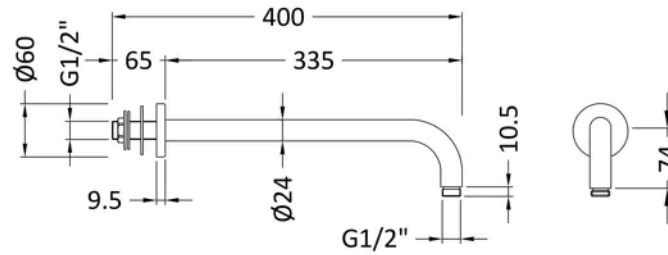
Country of Origin	China
Product Material	Brass
Control Type	Manual
WRAS Approved	No
Valve/Cartridge Type	1/4 Turn
Colour/Finish	Chrome
Mount Type	Recessed/Wall
Style	Contemporary
Handle Type	Lever/Round
TMV2 Approved	No
TMV3 Approved	No
Handset Included	No
Head Included	No
Min Operating Pressure	0.2 Bar
Minimum Operation Pressure	0 Bar
No. Outlets	1.0000
Outlet Elbow Supplied	No
Valve / Cartridge Type	1/4 Turn

Sales Code: ARM01

Barcode: 5055146185604

Brand: nuie

Description: Chrome Wall-Mounted Shower Arm



Product Dimensions

Product	104 x 62 x 395mm (H x W x D)
Packaged	420 x 38 x 102mm (H x W x D)
Outer Box	385 x 220 x 430mm (H x W x D)
Nett Weight	0.32 kg
Packaged Weight	0.5 kg

Packaging Details

Label Size (mm)	50 x 100
Label Colour	White
Label Qty	2.0000

Product Details

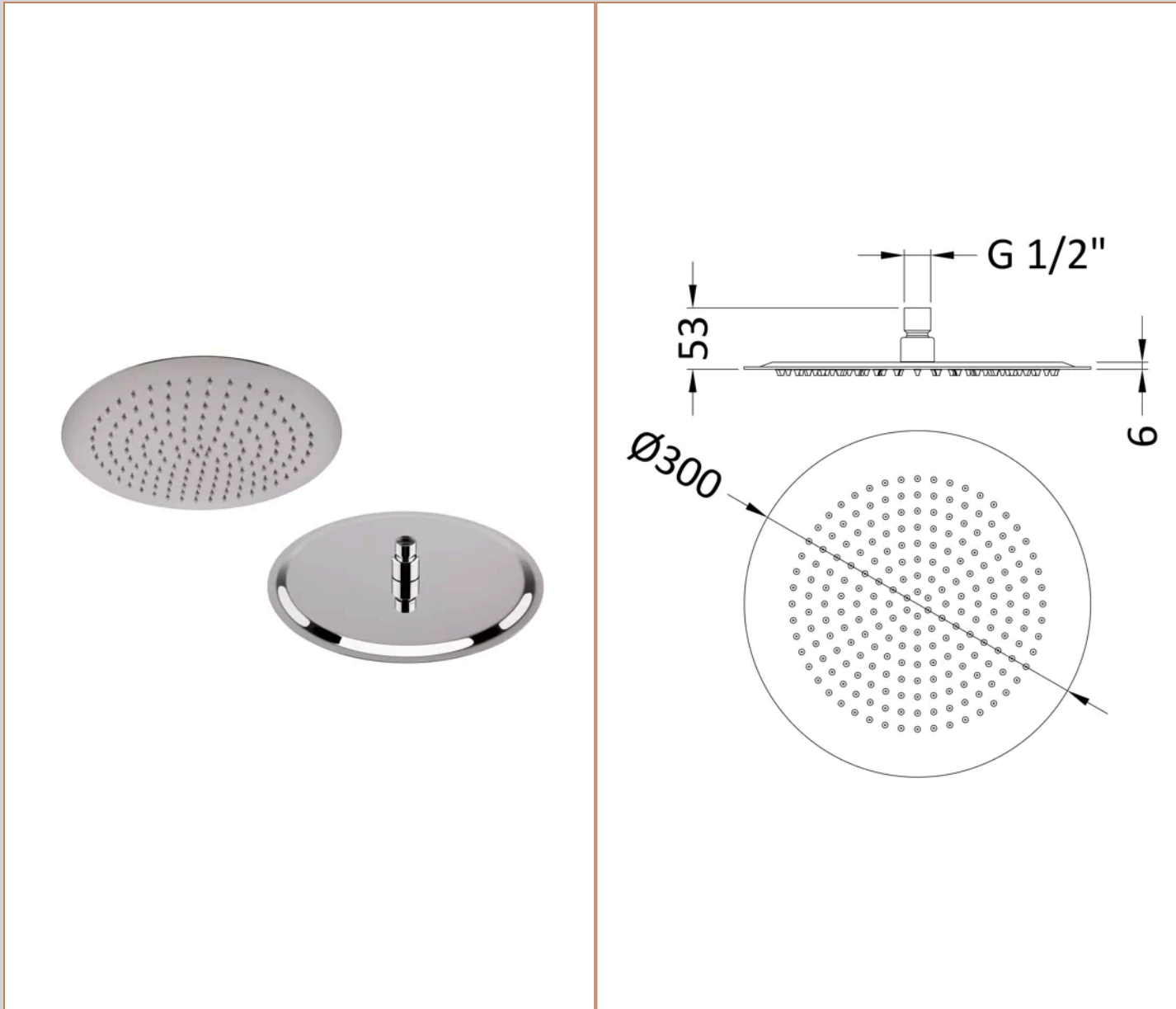
Country of Origin	China
Product Material	Brass
Colour/Finish	Chrome
Style	Contemporary

Sales Code: HEAD26

Barcode: 5055146185963

Brand: nuie

Description: Chrome Fixed Shower Head



Product Dimensions

Product	56 x 300 x 300mm (H x W x D)
Packaged	90 x 330 x 330mm (H x W x D)
Outer Box	320 x 335 x 650mm (H x W x D)
Nett Weight	1 kg
Packaged Weight	1.32 kg

Packaging Details

Label Size (mm)	50 x 100
Label Colour	White
Label Qty	2.0000

Product Details

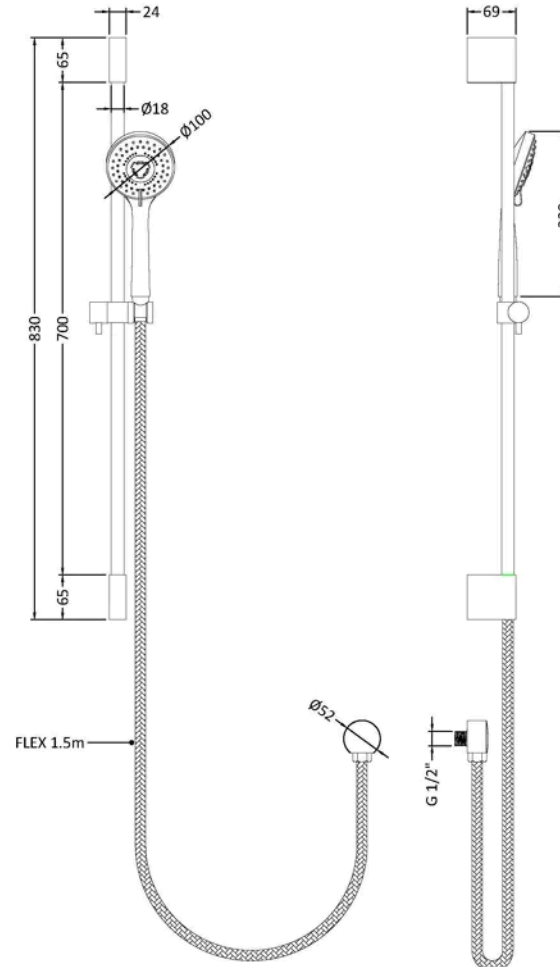
Country of Origin	China
Product Material	Stainless Steel
Control Type	Not Applicable
WRAS Approved	No
Colour/Finish	Chrome
Mount Type	Surface/Wall
Style	Contemporary
Easy Clean	Yes
TMV2 Approved	No
TMV3 Approved	No
Handset Included	No
Head Included	Yes
Min Operating Pressure	0.5 Bar
Minimum Operation Pressure	1 Bar
Outlet Elbow Supplied	No

Sales Code: A3041

Barcode: 5055146181132

Brand: nuie

Description: Chrome Shower Slide Rail Kit



Product Dimensions

Product	830 x 10 x 70mm (H x W x D)
Packaged	95 x 154 x 725mm (H x W x D)
Outer Box	500 x 330 x 750mm (H x W x D)
Nett Weight	1.38 kg
Packaged Weight	1.5 kg

Packaging Details

Label Size (mm)	50 x 100
Label Colour	White
Label Qty	2.0000

Product Details

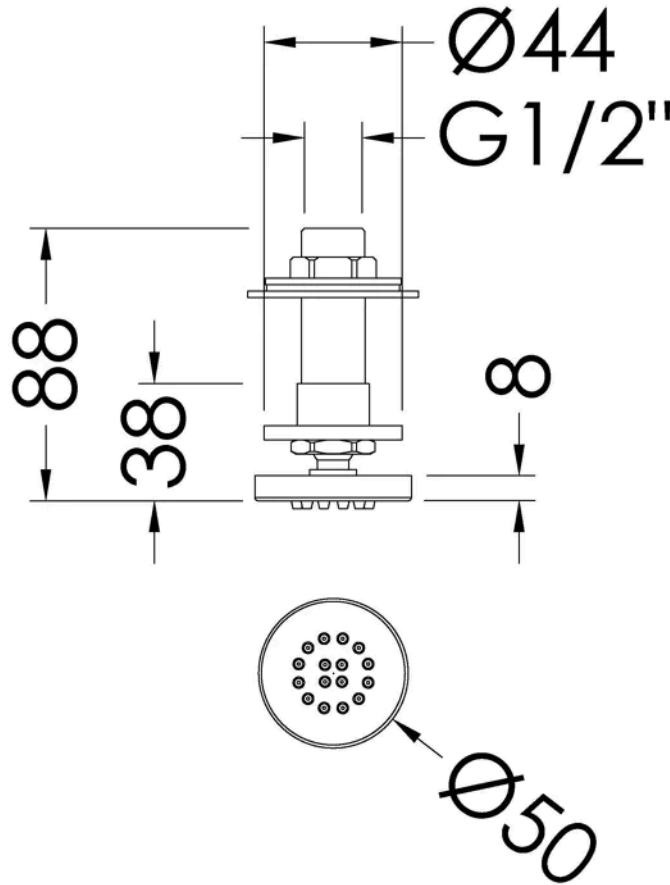
Country of Origin	China
Product Material	Brass Abs
Control Type	Not Applicable
WRAS Approved	No
Colour/Finish	Chrome
Mount Type	Surface/Wall
Style	Contemporary
Easy Clean	Yes
TMV2 Approved	No
TMV3 Approved	No
Handset Included	Yes
Head Included	No
Hose Included	Yes
Hose Length	1500 mm
Min Operating Pressure	0.5 Bar
Minimum Operation Pressure	1 Bar
No. Outlets	1.0000
Outlet Elbow Supplied	Yes

Sales Code: A355

Barcode: 5055146167662

Brand: nuie

Description: Chrome Round Body Jet



Product Dimensions

Product	55 x 50 x 50mm (H x W x D)
Packaged	110 x 70 x 80mm (H x W x D)
Outer Box	390 x 440 x 250mm (H x W x D)
Nett Weight	0.42 kg
Packaged Weight	0.42 kg

Packaging Details

Label Size (mm)	50 x 100
Label Colour	White
Label Qty	2.0000

Product Details

Country of Origin	China
Product Material	Brass
Control Type	Manual
WRAS Approved	No
Colour/Finish	Chrome
Mount Type	Surface/Wall
Style	Contemporary
Easy Clean	No
TMV2 Approved	No
TMV3 Approved	No
Head Included	No
Min Operating Pressure	0.5 Bar
Minimum Operation Pressure	1 Bar
No. Of Body Jets	1.0000
Outlet Elbow Supplied	No