

**Sales Code:** SBS38MV2

**Barcode:** 5056462601915

**Brand:** nuie

**Description:** nuie Manual Concealed Square Shower Kit Double Outlet



*Technical Drawing Not Available*

**Product Dimensions**

Product	700 x 660 x 70mm (H x W x D)
Nett Weight	0.1 kg
Packaged Weight	0.1 kg

**Product Details**

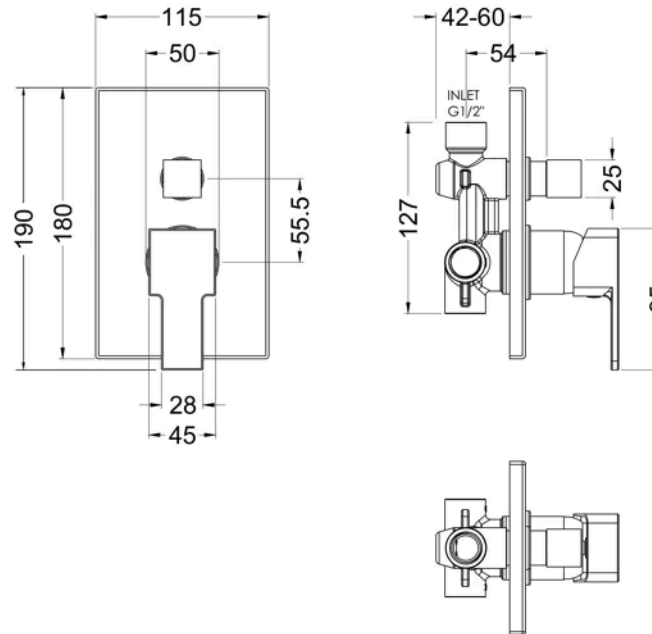
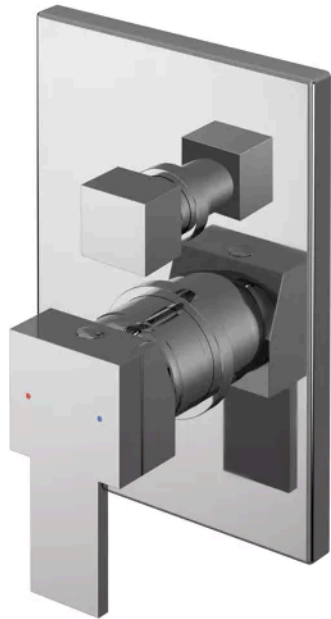
Country of Origin	China
Product Material	Brass Abs
Control Type	Manual
WRAS Approved	Yes
Valve/Cartridge Type	1/4 Turn
Colour/Finish	Chrome
Style	Contemporary
TMV2 Approved	Yes
Min Operating Pressure	0.5 Bar
Minimum Operation Pressure	1 Bar
No. Of Body Jets	0.0000
Tmv2 Approval Number	2603035
Valve / Cartridge Type	1/4 Turn
Wras Approval No	250602040

**Sales Code:** SANMV12

**Barcode:** 5056211898177

**Brand:** nuie

**Description:** nuie Chrome Manual Dual Shower Valve With Diverter



### Product Dimensions

Product	180 x 115 x 110 x 180mm (H x W x D x L)
Packaged	150 x 205 x 170mm (H x W x D)
Outer Box	490 x 470 x 400mm (H x W x D)
Nett Weight	1.12 kg
Packaged Weight	1.12 kg

### Packaging Details

Label Size (mm)	50 x 100
Label Colour	White
Label Qty	1.0000

### Product Details

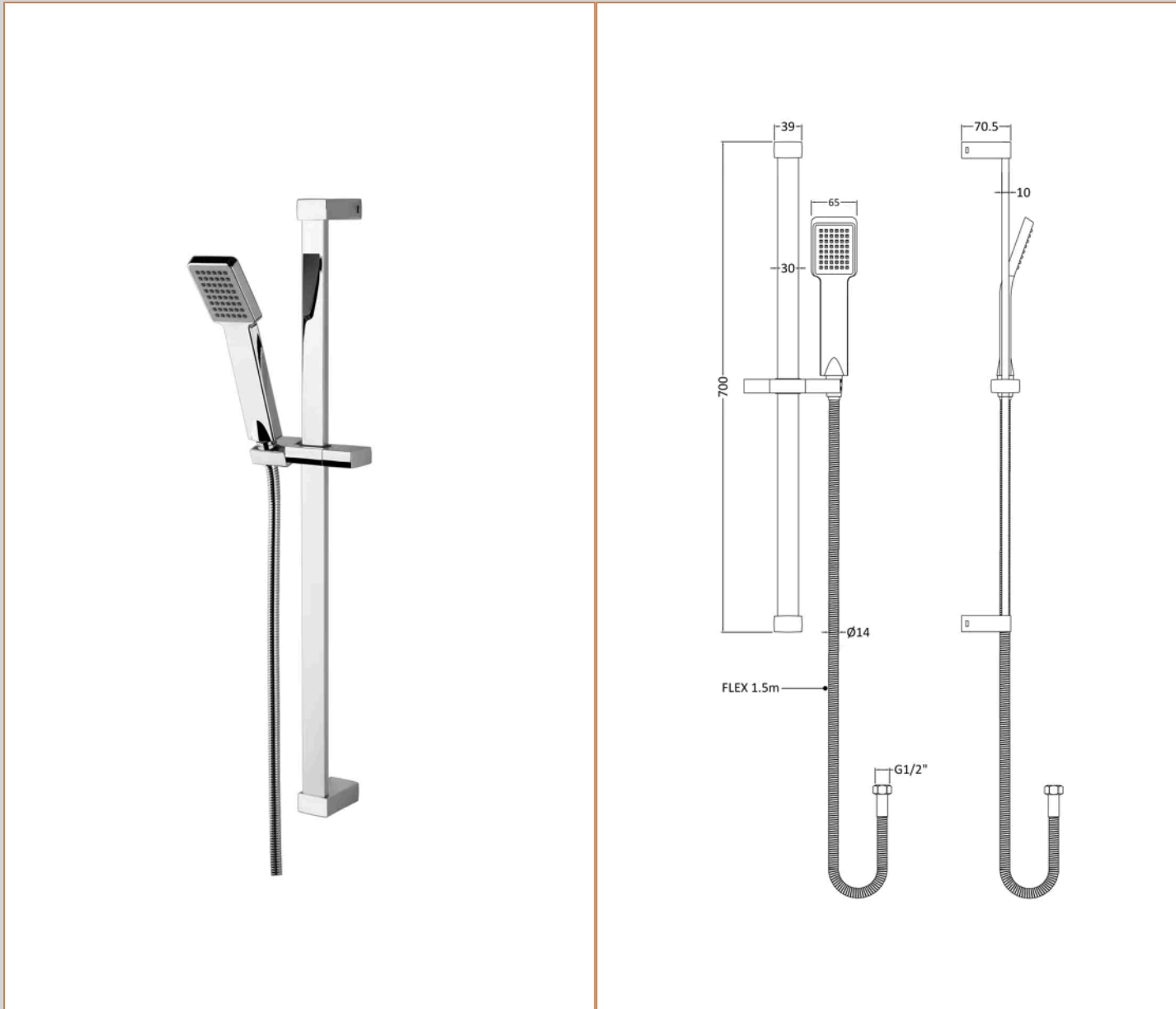
Country of Origin	China
Product Material	Brass Abs
Control Type	Manual
WRAS Approved	No
Valve/Cartridge Type	Single Lever Cartridge
Colour/Finish	Chrome
Mount Type	Recessed/Wall
Style	Contemporary
Handle Type	Lever
TMV2 Approved	No
TMV3 Approved	No
Handset Included	No
Head Included	No
Min Operating Pressure	0.5 Bar
Minimum Operation Pressure	1 Bar
No. Outlets	2.0000
Outlet Elbow Supplied	No
Valve / Cartridge Type	Single Lever Cartridge

**Sales Code:** STY059

**Barcode:** 5055369015870

**Brand:** nuie

**Description:** nuie Chrome Shower Slide Rail Kit



**Product Dimensions**

Product	700 x 660 x 70mm (H x W x D)
Packaged	50 x 153 x 668mm (H x W x D)
Nett Weight	0.9 kg
Packaged Weight	0.9 kg

**Packaging Details**

Label Size (mm)	50 x 100
Label Colour	White
Label Qty	2.0000

**Product Details**

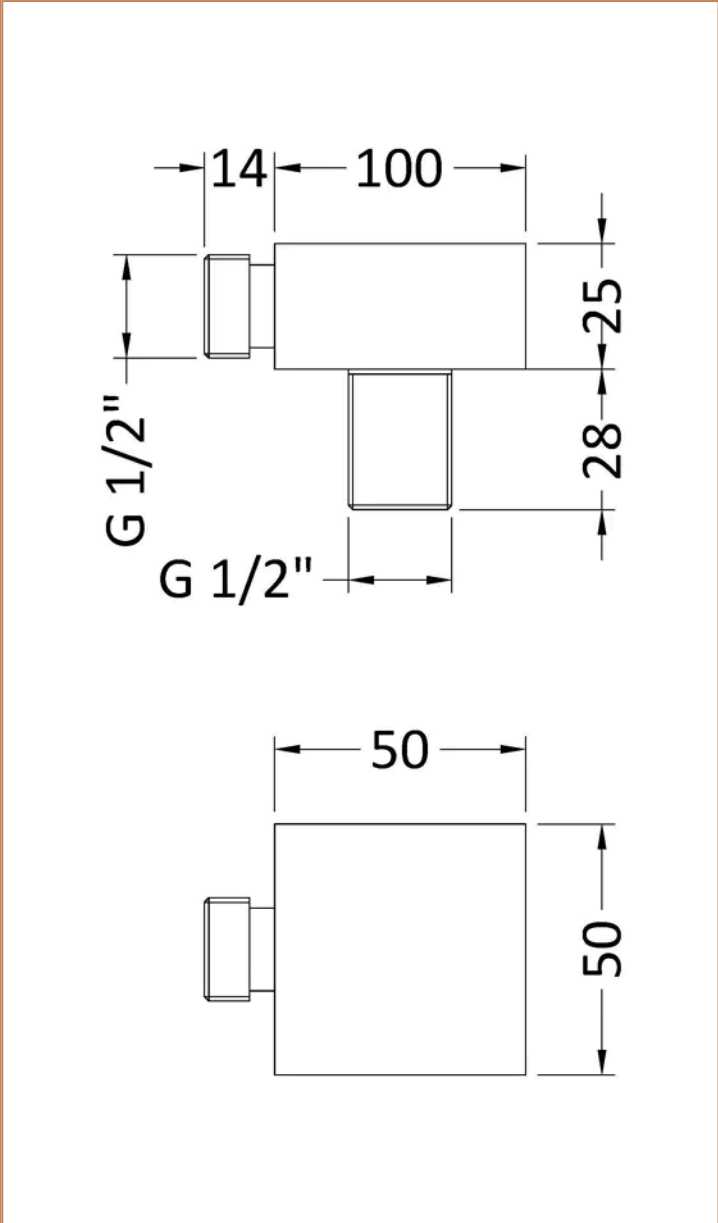
Country of Origin	China
Product Material	Brass Abs
Control Type	Not Applicable
WRAS Approved	No
Colour/Finish	Chrome
Mount Type	Surface/Wall
Style	Contemporary
Easy Clean	Yes
TMV2 Approved	No
TMV3 Approved	No
Handset Included	Yes
Head Included	No
Hose Included	Yes
Hose Length	1500 mm
Min Operating Pressure	0.1 Bar
Minimum Operation Pressure	0 Bar
No. Outlets	1.0000
Outlet Elbow Supplied	No

**Sales Code:** A3245

**Barcode:** 5055146169529

**Brand:** nuie

**Description:** Chrome Shower Outlet Elbow Kit



**Product Dimensions**

Product	53 x 36 x 36mm (H x W x D)
Packaged	55 x 65 x 65mm (H x W x D)
Outer Box	305 x 355 x 355mm (H x W x D)
Nett Weight	0.24 kg
Packaged Weight	0.24 kg

**Packaging Details**

Label Size (mm)	50 x 100
Label Colour	White
Label Qty	2.0000

**Product Details**

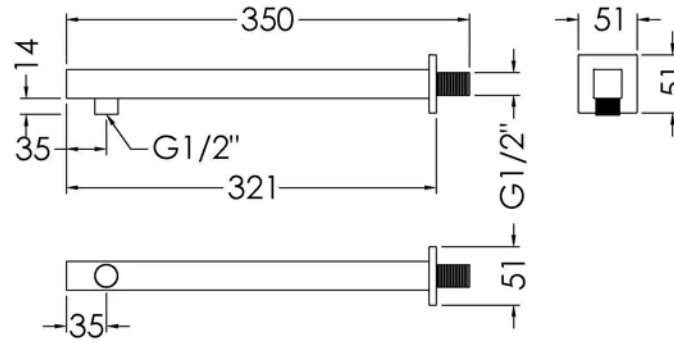
Country of Origin	China
Product Material	Brass Abs
Colour/Finish	Chrome
Style	Contemporary

**Sales Code:** ARM19

**Barcode:** 5055369029754

**Brand:** nuie

**Description:** nuie Square Chrome Wall-Mounted Shower Arm



**Product Dimensions**

Product	51 x 51 x 350mm (H x W x D)
Packaged	60 x 70 x 400mm (H x W x D)
Outer Box	290 x 410 x 507mm (H x W x D)
Nett Weight	0.5 kg
Packaged Weight	0.6 kg

**Packaging Details**

Label Size (mm)	50 x 100
Label Colour	White
Label Qty	2.0000

**Product Details**

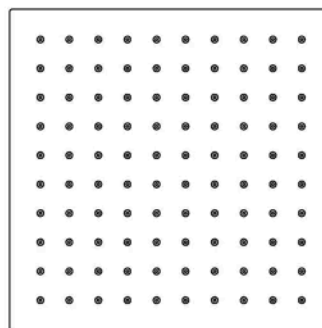
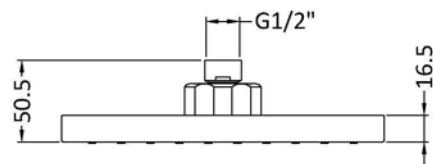
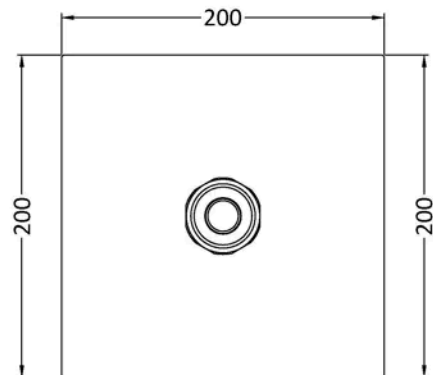
Country of Origin	China
Product Material	Brass
Colour/Finish	Chrome
Style	Contemporary

**Sales Code:** HEAD50

**Barcode:** 5055369016020

**Brand:** nuie

**Description:** nuie Chrome Fixed Shower Head



**Product Dimensions**

Product	60 x 200 x 200mm (H x W x D)
Packaged	50 x 210 x 210mm (H x W x D)
Outer Box	430 x 225 x 265mm (H x W x D)
Nett Weight	0.72 kg
Packaged Weight	0.72 kg

**Packaging Details**

Label Size (mm)	50 x 100
Label Colour	White
Label Qty	2.0000

**Product Details**

Country of Origin	China
Product Material	Brass Abs
Control Type	Not Applicable
WRAS Approved	No
Colour/Finish	Chrome
Mount Type	Surface/Wall
Style	Contemporary
Easy Clean	Yes
TMV2 Approved	No
TMV3 Approved	No
Handset Included	No
Head Included	Yes
Min Operating Pressure	0.2 Bar
Minimum Operation Pressure	0 Bar
Outlet Elbow Supplied	No