

Sales Code: SBS42TW2

Barcode: 5056462601953

Brand: nuie

Description: nuie Chrome Square Twin Outlet Concealed Shower System With Fixed Head & Handset



Technical Drawing Not Available

Product Dimensions

Product	700 x 660 x 70mm (H x W x D)
Nett Weight	0.1 kg
Packaged Weight	0.1 kg

Product Details

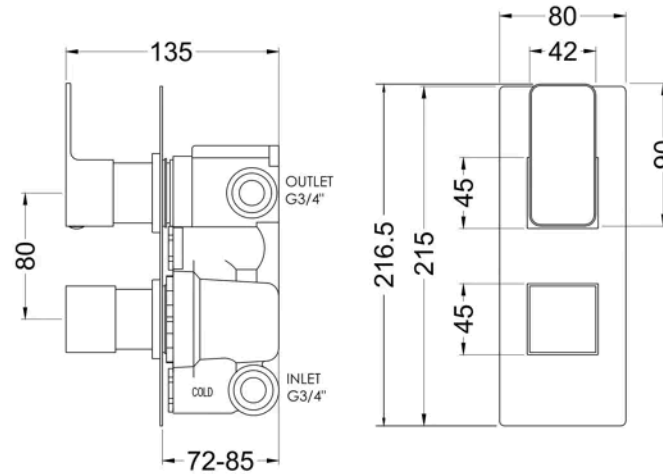
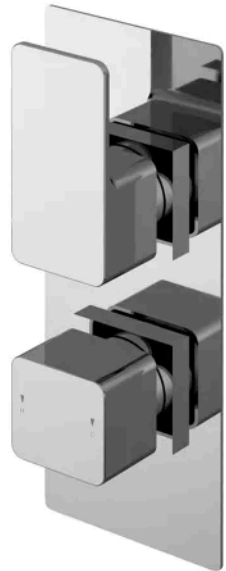
Country of Origin	China
Product Material	Brass Abs
Control Type	Manual
WRAS Approved	Yes
Valve/Cartridge Type	1/4 Turn
Colour/Finish	Chrome
Style	Contemporary
TMV2 Approved	Yes
Min Operating Pressure	0.5 Bar
Minimum Operation Pressure	1 Bar
No. Of Body Jets	0.0000
Tmv2 Approval Number	2603035
Valve / Cartridge Type	1/4 Turn
Wras Approval No	250602040

Sales Code: WINTW02

Barcode: 5056211898399

Brand: nuie

Description: nuie Windon Chrome Dual Thermostatic Shower Valve With Diverter



Product Dimensions

Product	215 x 120 x 135mm (H x W x D)
Packaged	110 x 240 x 250mm (H x W x D)
Outer Box	500 x 420 x 270mm (H x W x D)
Nett Weight	2.9 kg
Packaged Weight	2.9 kg

Packaging Details

Label Size (mm)	50 x 100
Label Colour	White
Label Qty	1.0000

Product Details

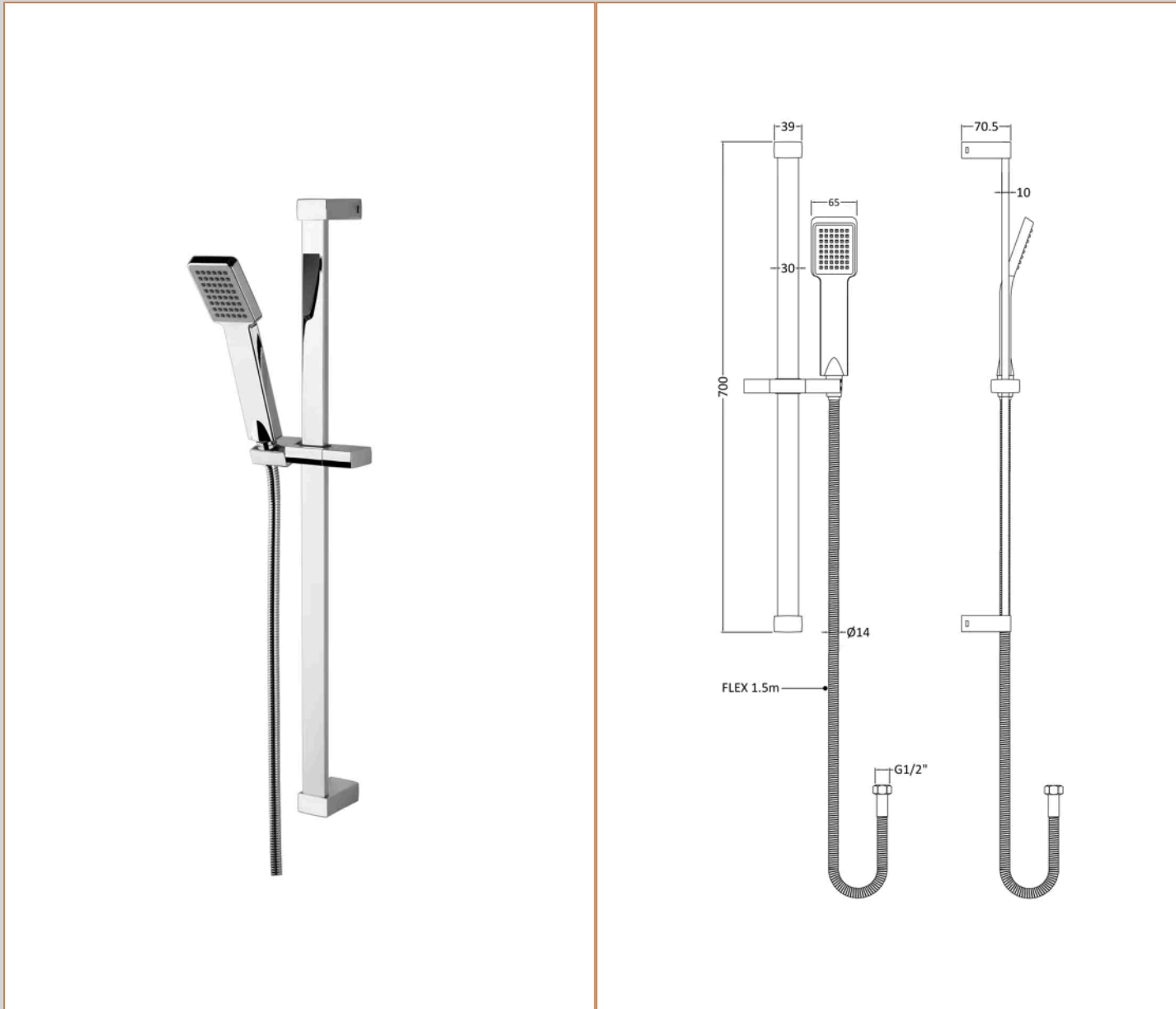
Country of Origin	China
Product Material	Brass Abs
Control Type	Manual
WRAS Approved	Yes
Valve/Cartridge Type	1/4 Turn
Colour/Finish	Chrome
Mount Type	Recessed/Wall
Style	Contemporary
Handle Type	Lever/Square
TMV2 Approved	Yes
TMV3 Approved	No
Pipe Size	22 mm (3/4" BSP)
Handset Included	No
Head Included	No
Min Operating Pressure	0.5 Bar
Minimum Operation Pressure	1 Bar
No. Outlets	2.0000
Outlet Elbow Supplied	No
Tmv2 Approval Number	2603035
Valve / Cartridge Type	1/4 Turn
Wras Approval No	250602040

Sales Code: STY059

Barcode: 5055369015870

Brand: nuie

Description: nuie Chrome Shower Slide Rail Kit



Product Dimensions

Product	700 x 660 x 70mm (H x W x D)
Packaged	50 x 153 x 668mm (H x W x D)
Nett Weight	0.9 kg
Packaged Weight	0.9 kg

Packaging Details

Label Size (mm)	50 x 100
Label Colour	White
Label Qty	2.0000

Product Details

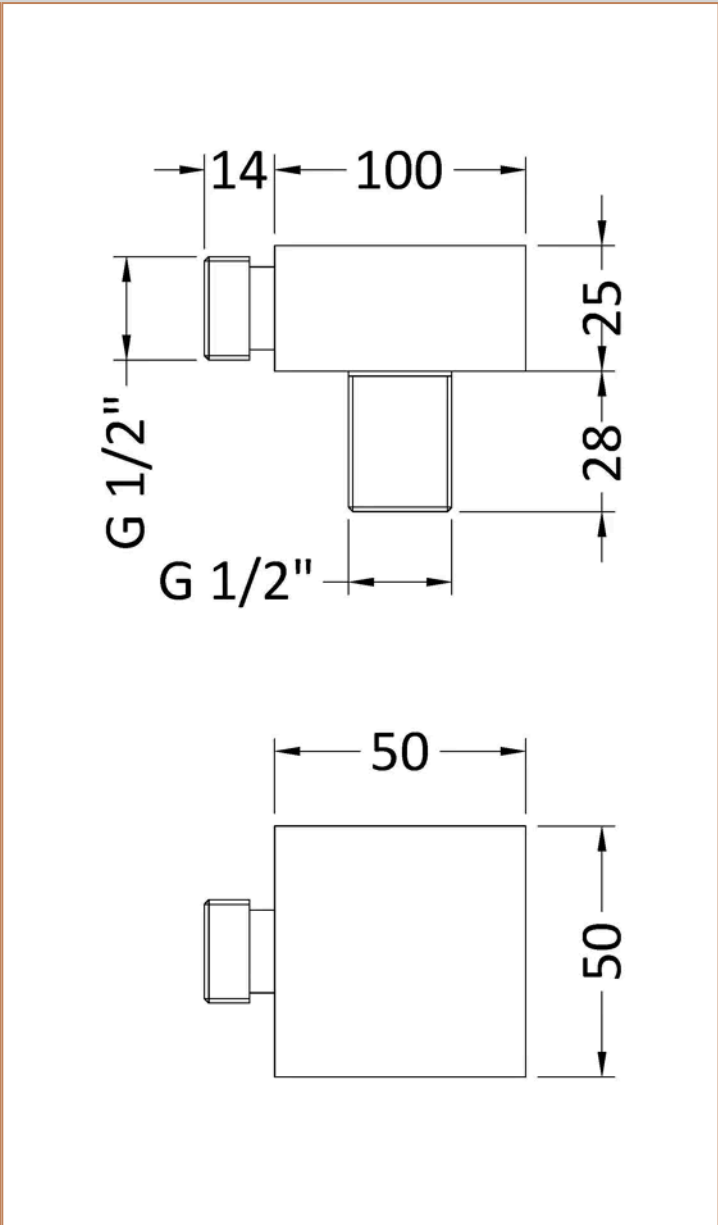
Country of Origin	China
Product Material	Brass Abs
Control Type	Not Applicable
WRAS Approved	No
Colour/Finish	Chrome
Mount Type	Surface/Wall
Style	Contemporary
Easy Clean	Yes
TMV2 Approved	No
TMV3 Approved	No
Handset Included	Yes
Head Included	No
Hose Included	Yes
Hose Length	1500 mm
Min Operating Pressure	0.1 Bar
Minimum Operation Pressure	0 Bar
No. Outlets	1.0000
Outlet Elbow Supplied	No

Sales Code: A3245

Barcode: 5055146169529

Brand: nuie

Description: Chrome Shower Outlet Elbow Kit



Product Dimensions

Product	53 x 36 x 36mm (H x W x D)
Packaged	55 x 65 x 65mm (H x W x D)
Outer Box	305 x 355 x 355mm (H x W x D)
Nett Weight	0.24 kg
Packaged Weight	0.24 kg

Packaging Details

Label Size (mm)	50 x 100
Label Colour	White
Label Qty	2.0000

Product Details

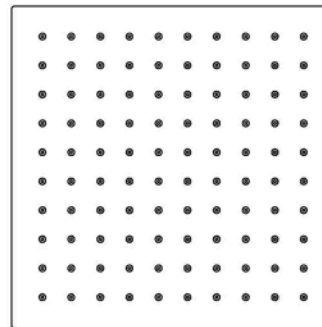
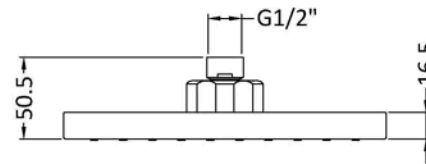
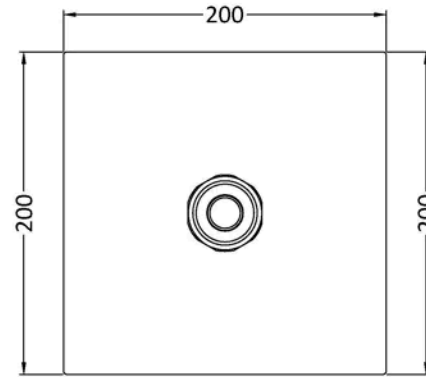
Country of Origin	China
Product Material	Brass Abs
Colour/Finish	Chrome
Style	Contemporary

Sales Code: HEAD50

Barcode: 5055369016020

Brand: nuie

Description: nuie Chrome Fixed Shower Head



Product Dimensions

Product	60 x 200 x 200mm (H x W x D)
Packaged	50 x 210 x 210mm (H x W x D)
Outer Box	430 x 225 x 265mm (H x W x D)
Nett Weight	0.72 kg
Packaged Weight	0.72 kg

Packaging Details

Label Size (mm)	50 x 100
Label Colour	White
Label Qty	2.0000

Product Details

Country of Origin	China
Product Material	Brass Abs
Control Type	Not Applicable
WRAS Approved	No
Colour/Finish	Chrome
Mount Type	Surface/Wall
Style	Contemporary
Easy Clean	Yes
TMV2 Approved	No
TMV3 Approved	No
Handset Included	No
Head Included	Yes
Min Operating Pressure	0.2 Bar
Minimum Operation Pressure	0 Bar
Outlet Elbow Supplied	No