

**Sales Code:** SBT50MV1

**Barcode:** 5056462602035

**Brand:** nuie

**Description:** nuie Traditional Exposed Manual 1 Outlet Shower Kit



**Product Dimensions**

Product	750 x 70 x 150mm (H x W x D)
Nett Weight	0.1 kg
Packaged Weight	0.1 kg

**Product Details**

Country of Origin	China
Product Material	Brass Abs
Control Type	Manual
Valve/Cartridge Type	1/4 Turn
Colour/Finish	Chrome
Style	Traditional
Min Operating Pressure	0.2 Bar
Minimum Operation Pressure	0 Bar
No. Of Body Jets	0.0000
Valve / Cartridge Type	1/4 Turn

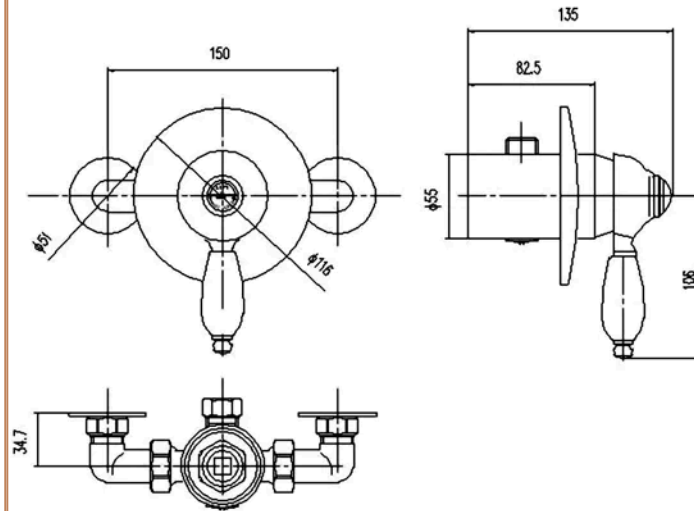
*Technical Drawing Not Available*

**Sales Code:** A3201

**Barcode:** 5055146110248

**Brand:** nuie

**Description:** nuie Edwardian Chrome Exposed Shower Valve



### Product Dimensions

Product	35 x 150 x 135mm (H x W x D)
Packaged	135 x 120 x 205mm (H x W x D)
Outer Box	285 x 215 x 500mm (H x W x D)
Nett Weight	1.76 kg
Packaged Weight	1.76 kg

### Packaging Details

Label Size (mm)	50 x 100
Label Colour	White
Label Qty	2.0000

### Product Details

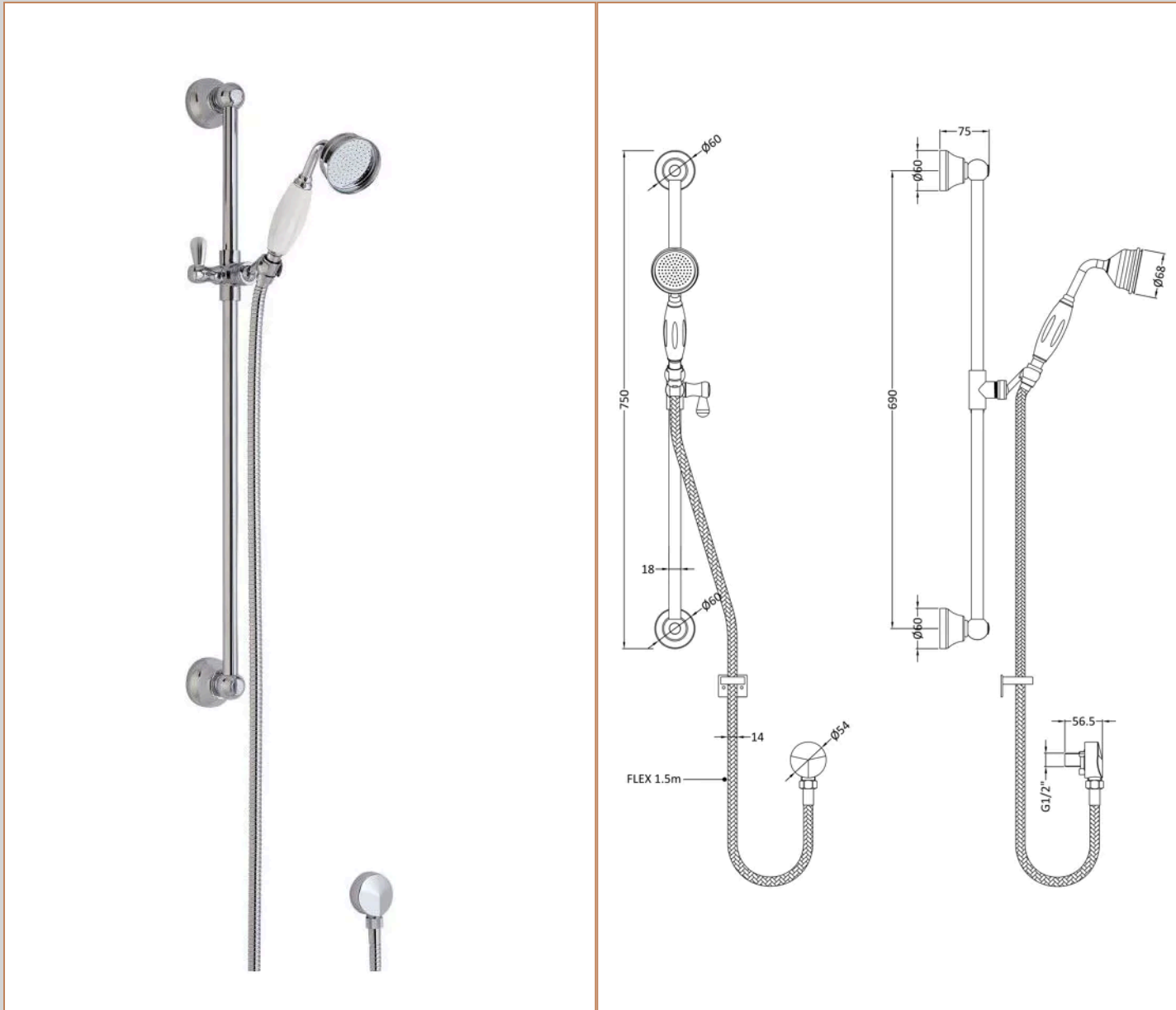
Country of Origin	China
Product Material	Brass
Control Type	Manual
WRAS Approved	No
Valve/Cartridge Type	Single Lever Cartridge
Colour/Finish	Chrome
Mount Type	Surface/Wall
Style	Traditional
Handle Type	Lever
TMV2 Approved	No
TMV3 Approved	No
Pipe Centres	150
Handset Included	No
Head Included	No
Min Operating Pressure	0.2 Bar
Minimum Operation Pressure	0 Bar
No. Outlets	1.0000
Outlet Elbow Supplied	No
Valve / Cartridge Type	Single Lever Cartridge

**Sales Code:** A3211

**Barcode:** 5055146101079

**Brand:** nuie

**Description:** Chrome Shower Slide Rail Kit Slider Rail Kit



### Product Dimensions

Product	750 x 70 x 150mm (H x W x D)
Packaged	80 x 125 x 785mm (H x W x D)
Outer Box	340 x 400 x 800mm (H x W x D)
Nett Weight	1.47 kg
Packaged Weight	1.97 kg

### Packaging Details

Label Size (mm)	50 x 100
Label Colour	White
Label Qty	2.0000

### Product Details

Country of Origin	China
Product Material	Brass Abs
Control Type	Not Applicable
WRAS Approved	No
Colour/Finish	Chrome
Mount Type	Surface/Wall
Style	Traditional
Easy Clean	No
TMV2 Approved	No
TMV3 Approved	No
Handset Included	Yes
Head Included	No
Hose Included	Yes
Hose Length	1500 mm
Min Operating Pressure	0.1 Bar
Minimum Operation Pressure	0 Bar
No. Outlets	1.0000
Outlet Elbow Supplied	Yes