

**Sales Code:** SBT54TW1

**Barcode:** 5056462602073

**Brand:** nuie

**Description:** nuie Traditional Chrome Exposed Single Outlet Slider Rail Kit Including Valve



*Technical Drawing Not Available*

### Product Dimensions

Product	750 x 70 x 150mm (H x W x D)
Nett Weight	0.1 kg
Packaged Weight	0.1 kg

### Product Details

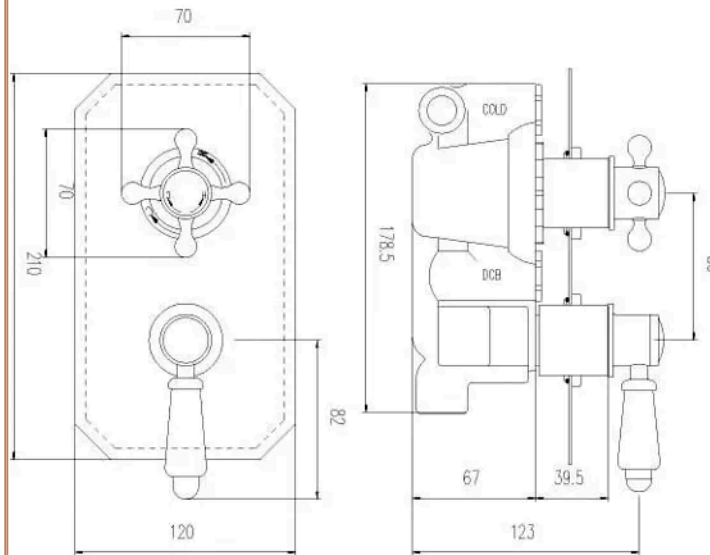
Country of Origin	China
Product Material	Brass Abs
Control Type	Manual
Valve/Cartridge Type	1/4 Turn
Colour/Finish	Chrome
Style	Traditional
Min Operating Pressure	0.1 Bar
Minimum Operation Pressure	0 Bar
No. Of Body Jets	0.0000
Valve / Cartridge Type	1/4 Turn

**Sales Code:** ITY316

**Barcode:** 5055146196686

**Brand:** nuie

**Description:** nuie Ascott Chrome Thermostatic Shower Valve



### Product Dimensions

Product	210 x 120 x 135mm (H x W x D)
Packaged	110 x 240 x 250mm (H x W x D)
Outer Box	180 x 340 x 370mm (H x W x D)
Nett Weight	2.74 kg
Packaged Weight	2.74 kg

### Packaging Details

Label Size (mm)	50 x 100
Label Colour	White
Label Qty	2.0000

### Product Details

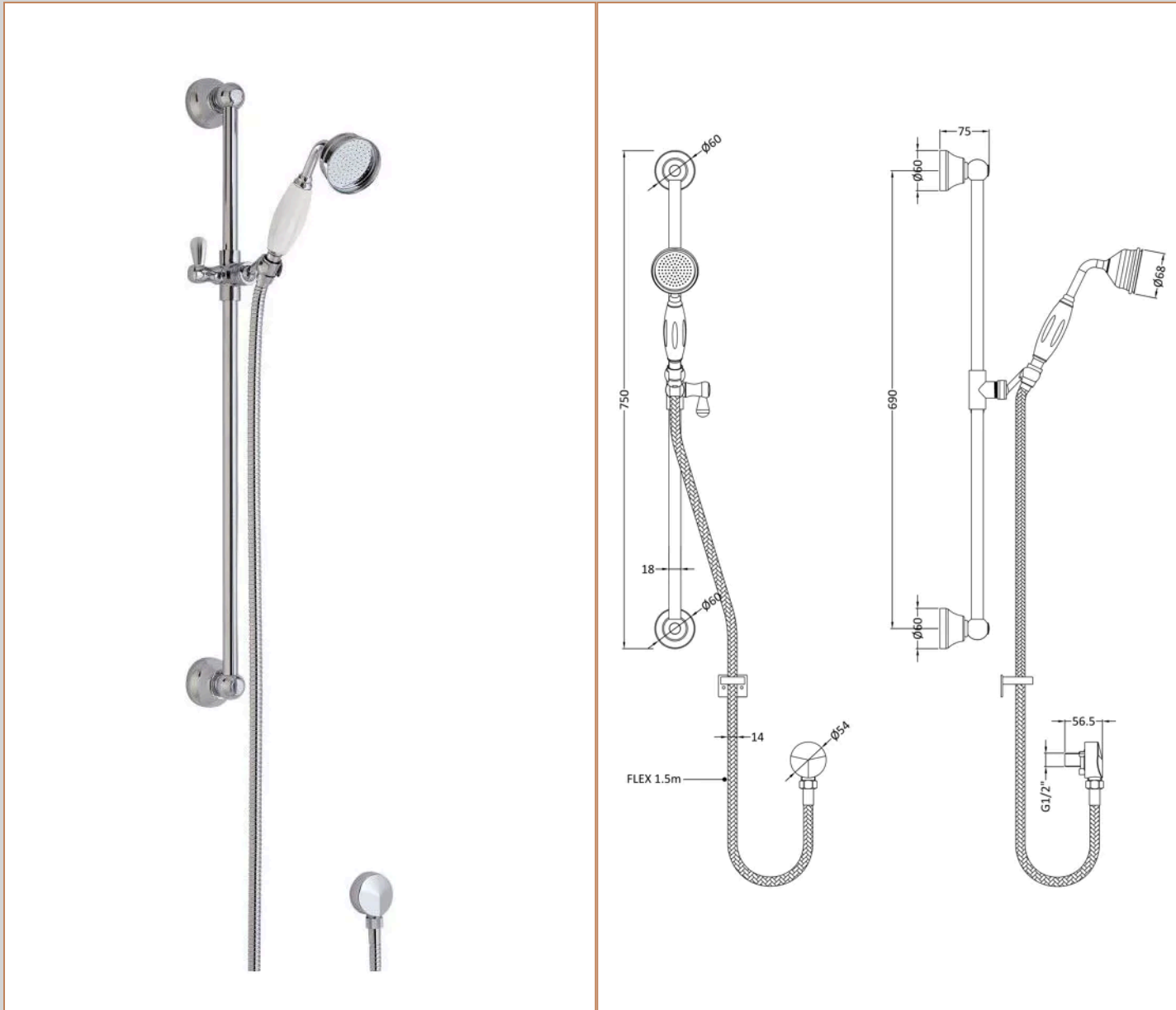
Country of Origin	United Kingdom
Product Material	Brass Abs
Control Type	Manual
WRAS Approved	Yes
Valve/Cartridge Type	1/4 Turn
Colour/Finish	Chrome
Mount Type	Recessed/Wall
Style	Traditional
Handle Type	Crosshead/Lever
TMV2 Approved	Yes
TMV3 Approved	No
Handset Included	No
Head Included	No
Min Operating Pressure	0.1 Bar
Minimum Operation Pressure	0 Bar
No. Outlets	1.0000
Outlet Elbow Supplied	No
Tmv2 Approval Number	2603035
Valve / Cartridge Type	1/4 Turn
Wras Approval No	250602040

**Sales Code:** A3211

**Barcode:** 5055146101079

**Brand:** nuie

**Description:** Chrome Shower Slide Rail Kit Slider Rail Kit



### Product Dimensions

Product	750 x 70 x 150mm (H x W x D)
Packaged	80 x 125 x 785mm (H x W x D)
Outer Box	340 x 400 x 800mm (H x W x D)
Nett Weight	1.47 kg
Packaged Weight	1.97 kg

### Packaging Details

Label Size (mm)	50 x 100
Label Colour	White
Label Qty	2.0000

### Product Details

Country of Origin	China
Product Material	Brass Abs
Control Type	Not Applicable
WRAS Approved	No
Colour/Finish	Chrome
Mount Type	Surface/Wall
Style	Traditional
Easy Clean	No
TMV2 Approved	No
TMV3 Approved	No
Handset Included	Yes
Head Included	No
Hose Included	Yes
Hose Length	1500 mm
Min Operating Pressure	0.1 Bar
Minimum Operation Pressure	0 Bar
No. Outlets	1.0000
Outlet Elbow Supplied	Yes