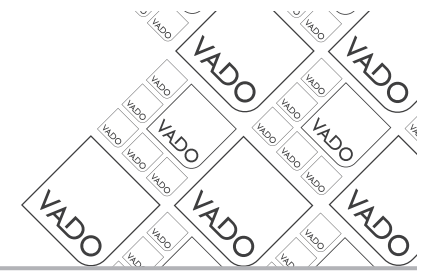




where inspiration flows

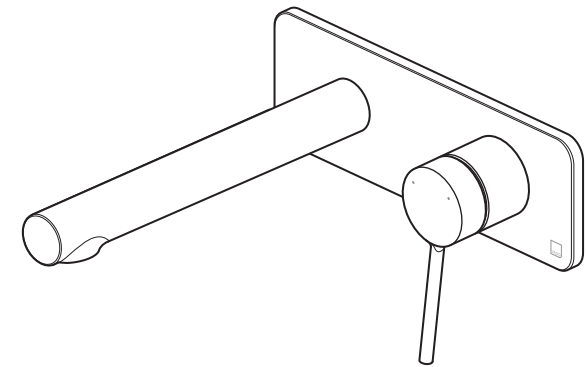
# SAFARI



Wall mounted basin mixer  
Installation Guide

This instruction booklet covers models:  
SAF-109S-SQ

SAF-109S-SQ



Vado  
Wedmore Road, Cheddar, Somerset, England BS27 3EB  
tel 01934 744466. fax 01934 744345  
aftersales@vado.com  
www.vado.com



## Important - please read

Please read these instructions carefully before starting installation and keep for future reference.

Remove all packaging and check the product for missing parts or damage before starting installation.

Any alterations made to this product and fittings may infringe water regulations and will invalidate the guarantee.

The installation must comply with all Local/National Water Supply Authority Regulations/Byelaws and Building and Plumbing Regulations.

To be installed in accordance with BS EN806.

We strongly recommend that you use a qualified and registered plumber.

## General installation

This fitting is a mixing device and therefore water supplies should be reasonably balanced.

When installed, the fitting must comply with the requirements of the Water Supply (Water Fittings) Regulations 1999 and Scottish Byelaws 2004.

For further information, contact the Water Regulations department of your local water supplier (see the WRAS website [www.wras.co.uk](http://www.wras.co.uk) for details) or the Water Regulations Advisory Scheme by email ([info@wras.co.uk](mailto:info@wras.co.uk)) or telephone: 01495848454.

Before making any inlet pipe connections, all supply pipes MUST be thoroughly flushed to remove debris. Failure to do so could result in damage or low flow from the mixer unit. Water Supply (Water Fittings) Regulations 1999 Schedule 2 Section 13.

The fitting of isolating valves to the inlet feeds is advised for ease of maintenance.

Please take great care when installing this mixer not to damage its surface.

Please note if installing in an enclosed environment, access should be left for servicing and maintenance. No costs relating to inadequate access can be accepted.

## Operating Specifications

### Operating Pressure

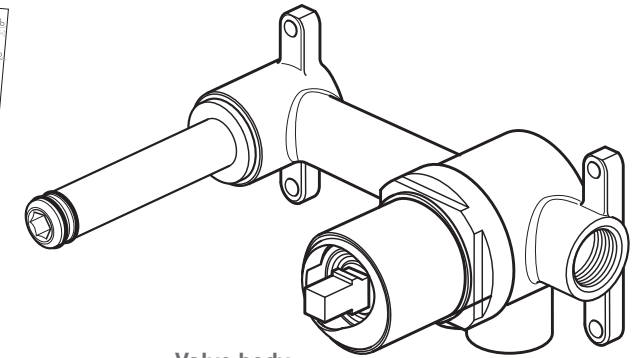
Minimum operating pressure **0.2 bar**

Maximum operating pressure **5 bar**

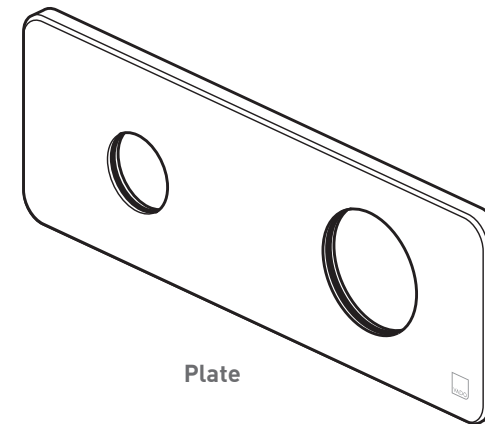
## Contents of Packaging



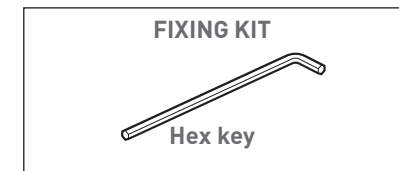
Installation Guide &  
User Manual



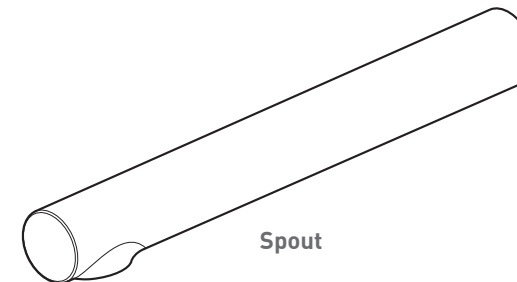
Valve body



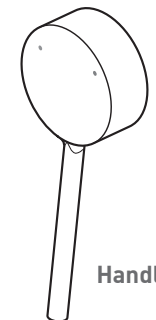
Plate



Hex key

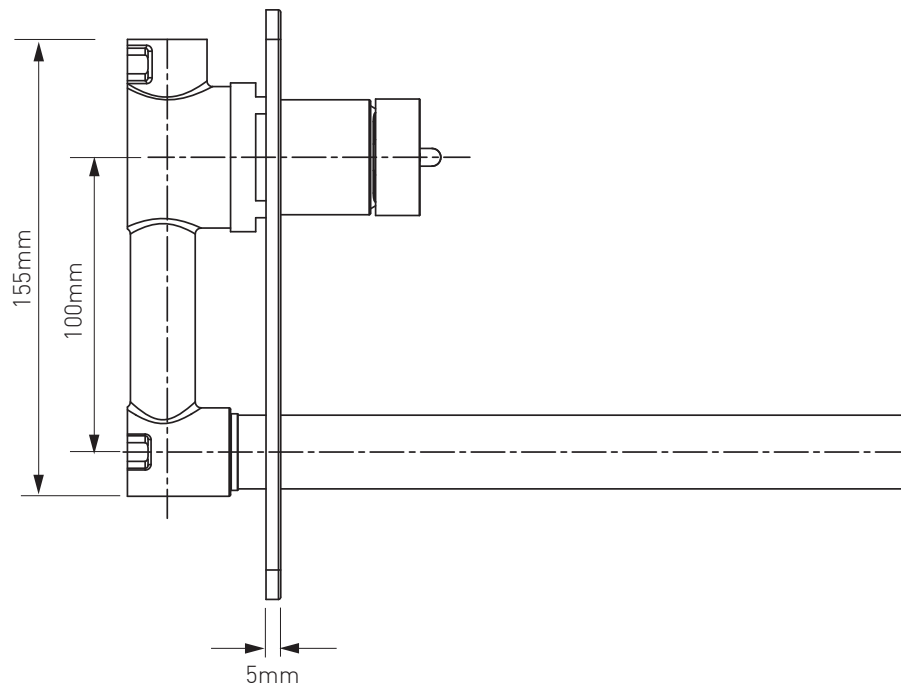
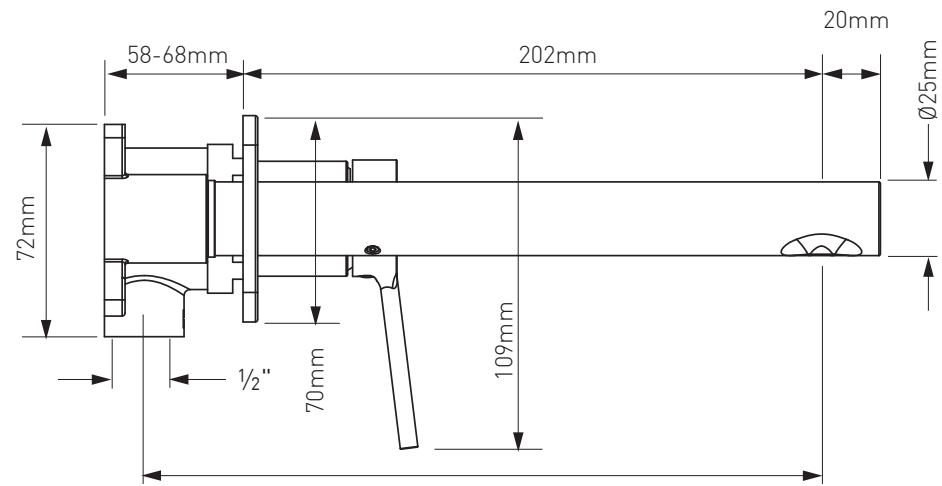


Spout

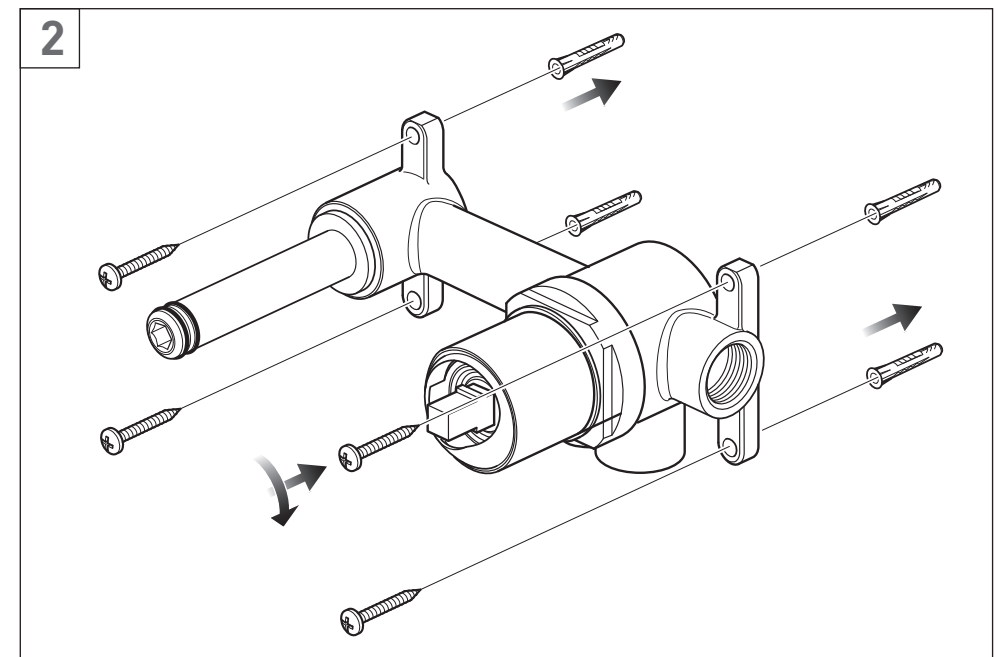
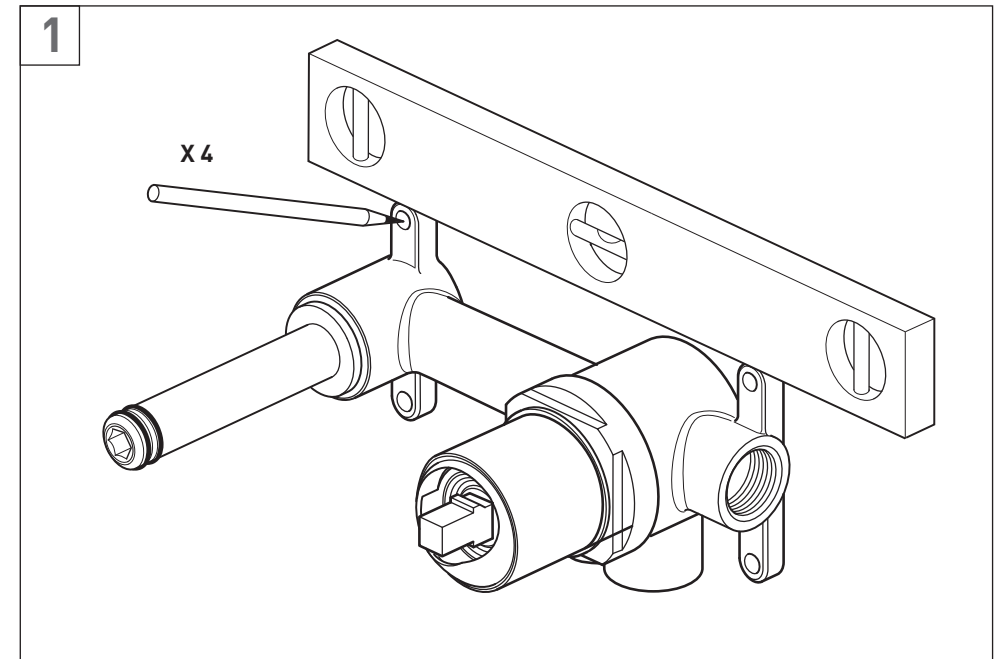


Handle

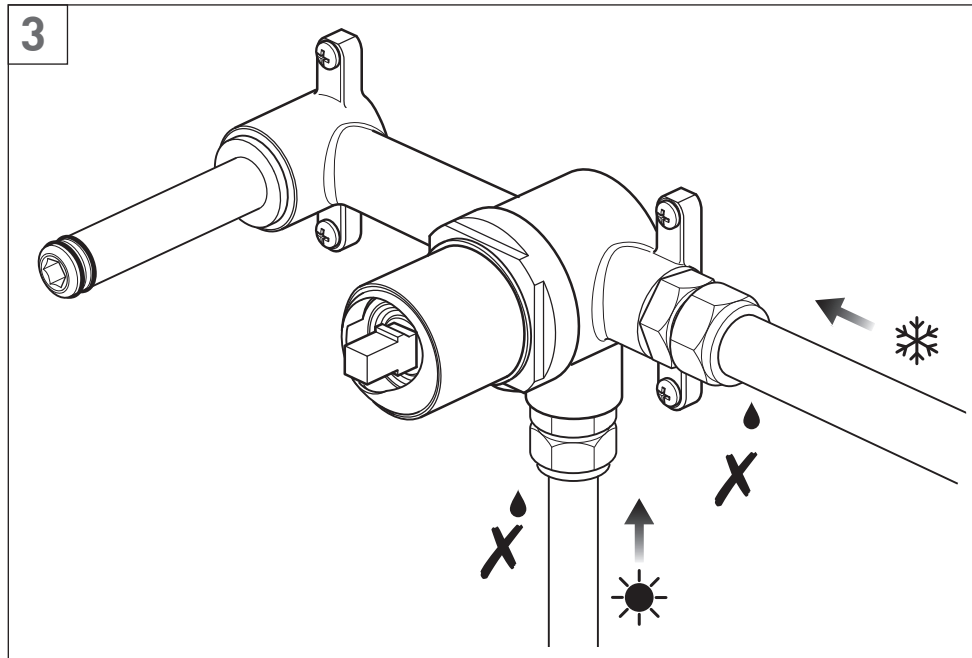
## Dimensions



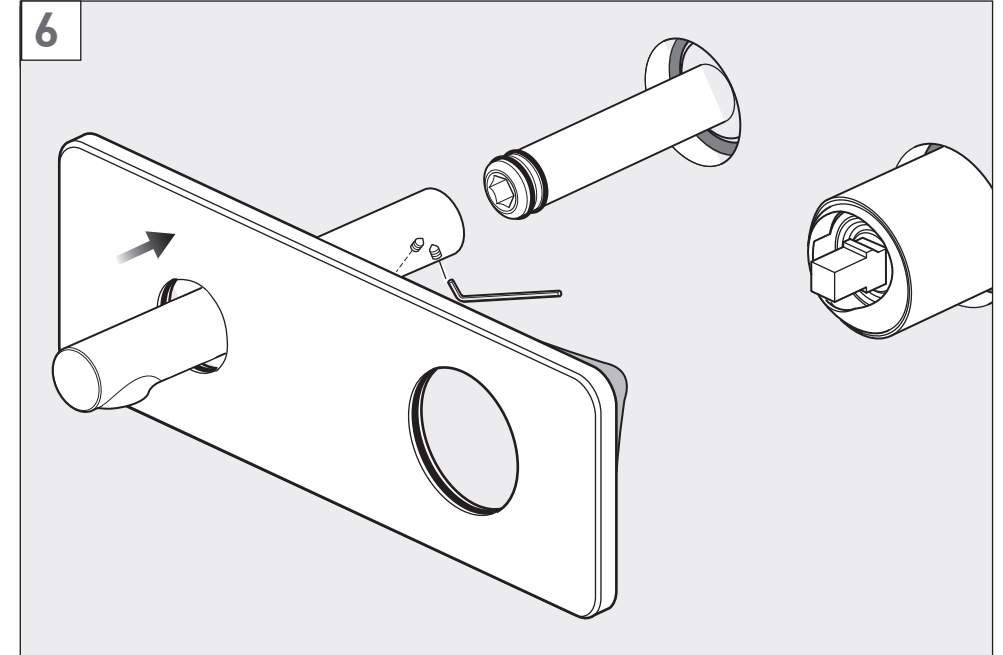
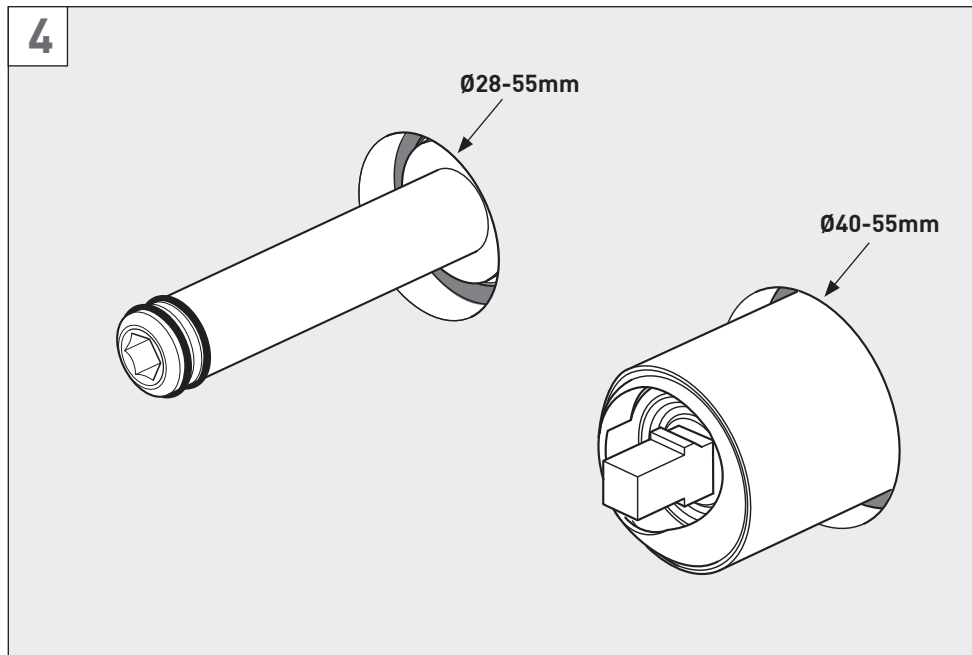
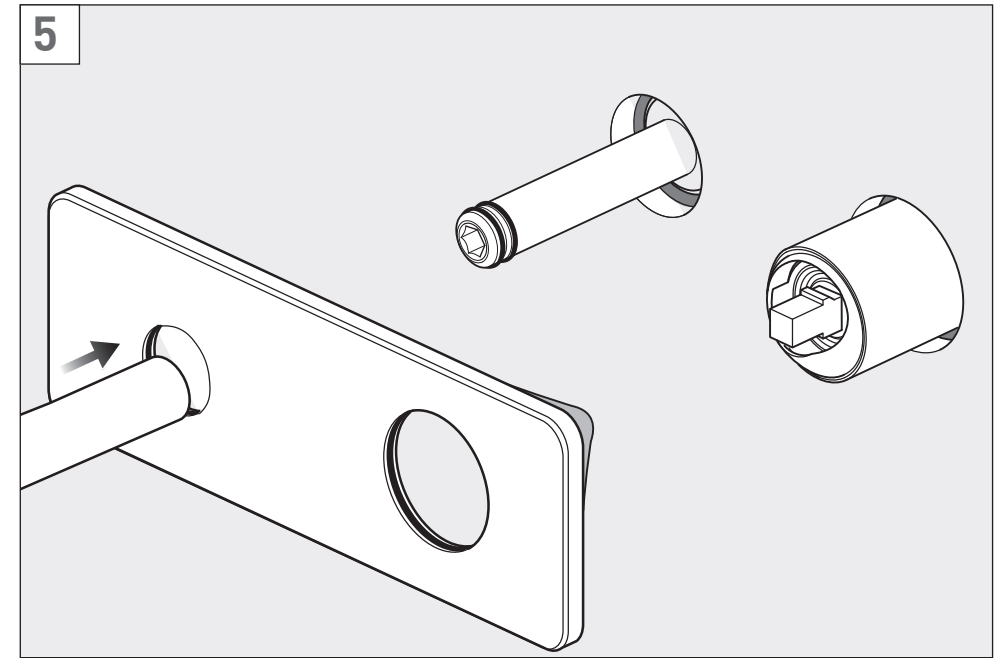
## Installation - Quick guide



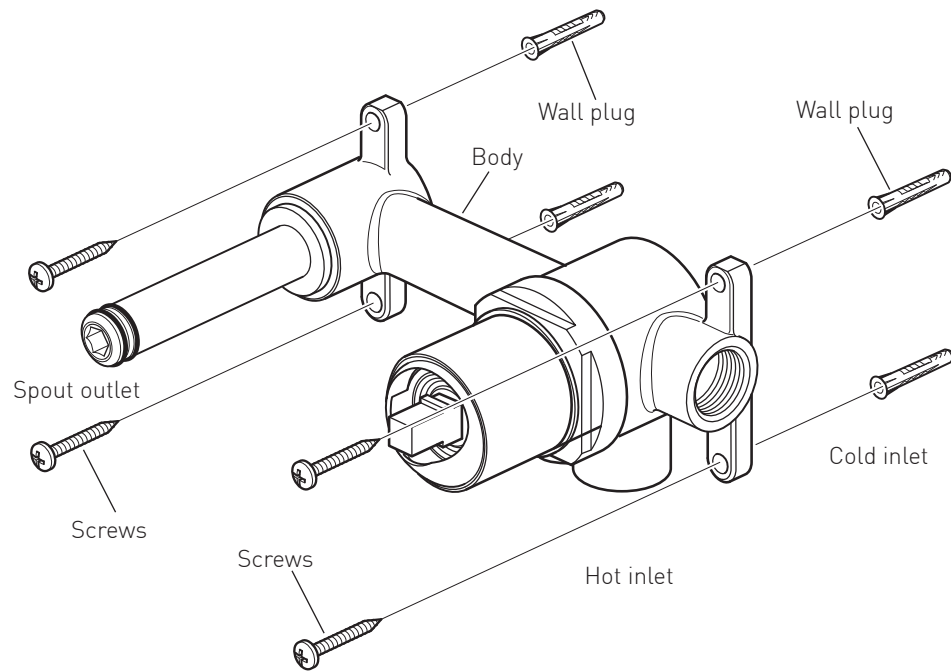
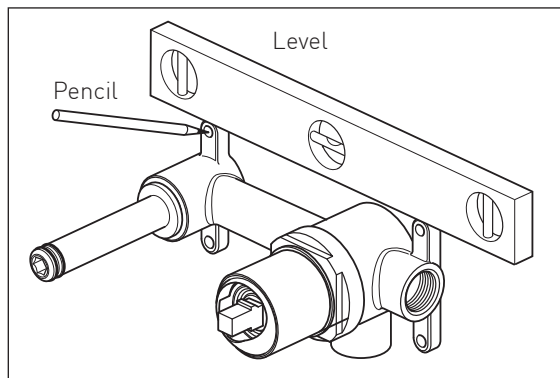
## Installation - Quick guide



## Installation - Quick guide

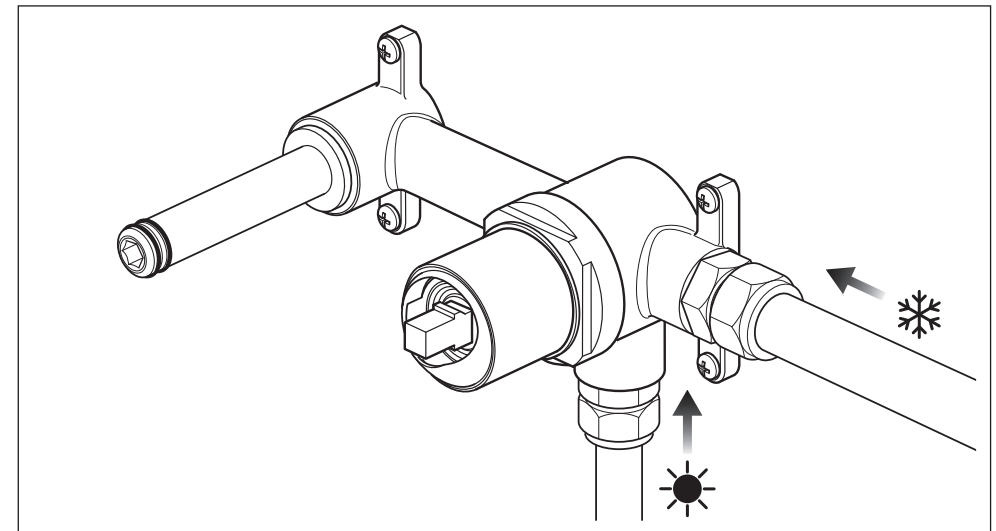


## Installation

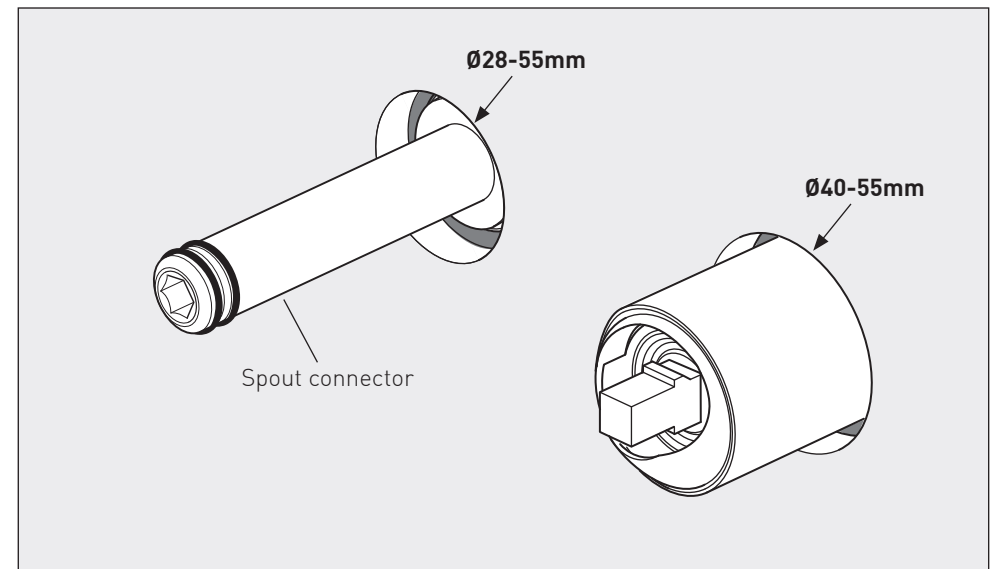


**Warning!** Please check for any hidden cables and pipes before drilling holes in the wall.  
 Before installing your new mixer, flush through pipe work to ensure removal of debris, turn off the water supply.  
 The valve must be set into the wall (58mm min - 68mm max).  
 Offer the valve up to the wall making sure it is level, mark the four wall fixing positions and secure using suitable fixings. If you are fitting to a partition wall or a wall of particularly soft substrate you will need specialist fixings.

## Installation

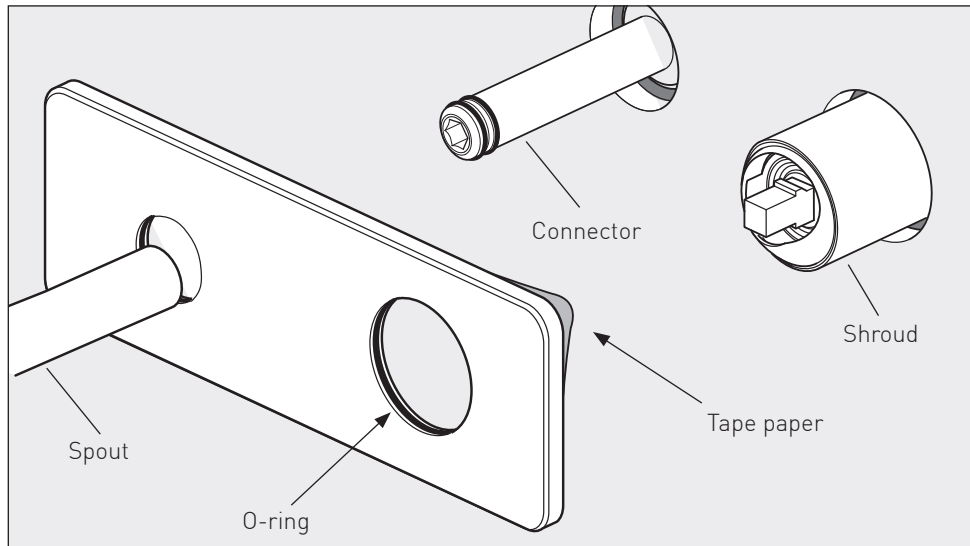


Make all connections to the valve. Connect hot supply to the bottom inlet and cold supply to the right inlet. Before completing the wall finish, turn water supply on, check the leak tightness and function of the fitting.

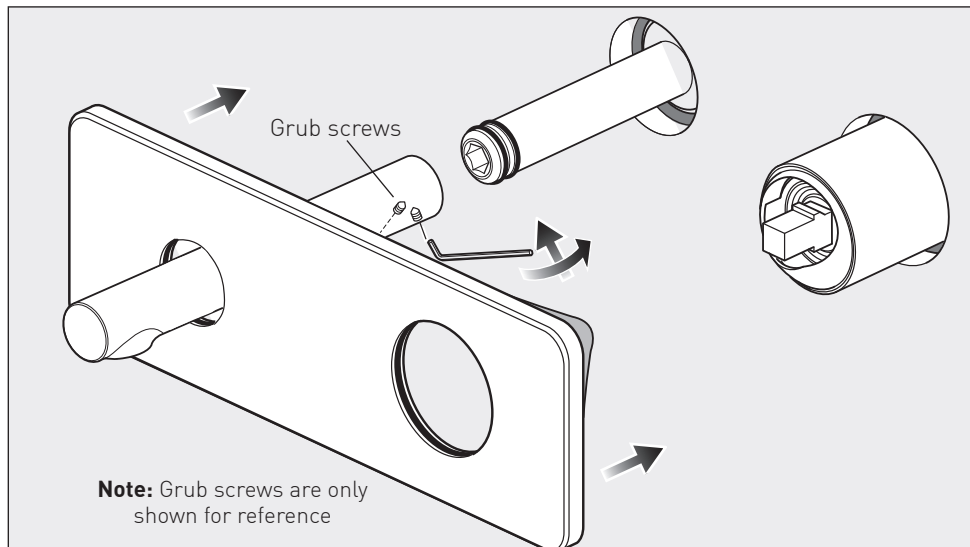


Finish the wall, tiles etc. Leave spacing (between min and max hole diameters, larger hole is recommended for the spout if a shorter projection is required) around the two housings. Make sure the o-ring is in place in the back of the connector flange. Screw the connector into the outlet, use a hex key in the end of the connector.

## Installation

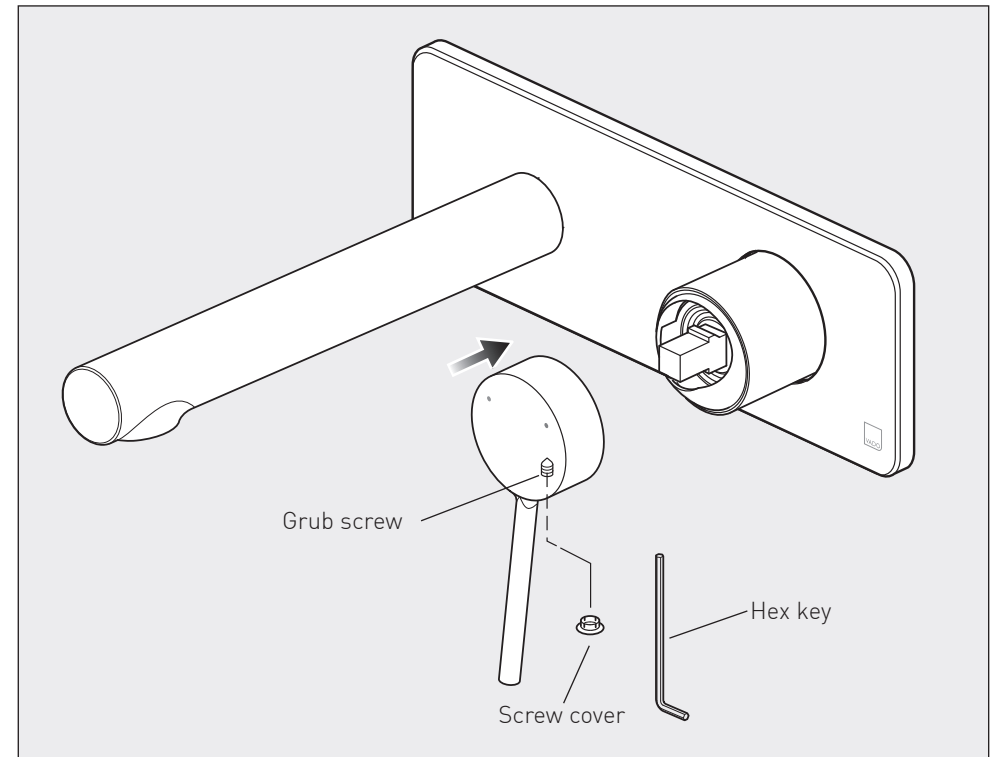


Make sure the o-rings are in place in the plate. Remove the tape paper from the back of the plate. Slide the spout through the plate.



Carefully slide the spout over the connector. Make sure that the nozzle is pointing downwards and secure using the two grub screws on the underside of the spout with the supplied hex key. Slide the plate to the wall. Finish with a suitable sealant around the plate. **Please note:** The grub screws are within the spout and should not be removed.

## Installation



Release the grub screw within the handle if necessary. Carefully slide the control handle onto the valve and secure in position with the grub screw located within the handle using the hexagonal key supplied, fit the screw cover.