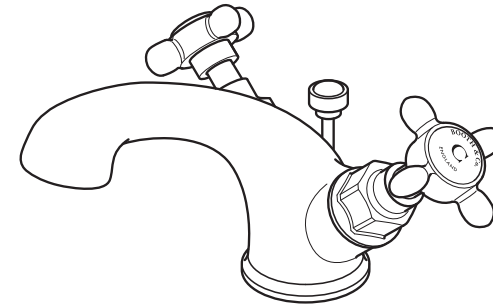




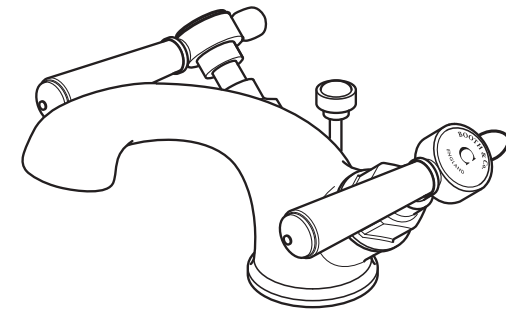
BOOTH & Co.

ENGLAND



This instruction booklet covers
model:

BC-AXB-100
BC-AXB-200



VADO
Wedmore Road, Cheddar,
Somerset, England BS27 3EB
tel 01934 744466
fax 01934 744345
www.vado.com
sales@vado.com

Version 3, 9-25

AXBRIDGE

BC-AXB-100, BC-AXB-200
INSTALLATION GUIDE

BOOTH & Co.
ENGLAND

Important - please read

Please read these instructions carefully before starting installation and keep for future reference.

Remove all packaging and check the product for missing parts or damage before starting installation.

Any alterations made to this product and fittings may infringe water regulations and will invalidate the guarantee.

The installation must comply with all Local/National Water Supply Authority Regulations/Byelaws and Building and Plumbing Regulations.
To be installed in accordance with BS EN806.

We strongly recommend that you use a qualified and registered plumber.

General installation

This fitting is a mixing device and therefore water supplies should be reasonably balanced.

When installed, the fitting must comply with the requirements of the Water Supply (Water Fittings) Regulations 1999 and Scottish Byelaws 2004.

For further information, contact the Water Regulations department of your local water supplier (see the WRAS website www.wras.co.uk for details) or the Water Regulations Advisory Scheme by email (info@wras.co.uk) or telephone: 01495848454.

Before making any inlet pipe connections, all supply pipes MUST be thoroughly flushed to remove debris. Failure to do so could result in damage or low flow from the mixer unit. Water Supply (Water Fittings) Regulations 1999 Schedule 2 Section 13.

The fitting of isolating valves to the inlet feeds is advised for ease of maintenance.

Please take great care when installing this mixer not to damage its surface.

Please note if installing in an enclosed environment, access should be left for servicing and maintenance. No costs relating to inadequate access can be accepted.

Operating Specifications

Operating Pressure

Minimum operating pressure 0.2 bar

Maximum operating pressure 5 bar

Installation - Pop-up waste

Disassemble the pop-up waste and reassemble onto the basin .

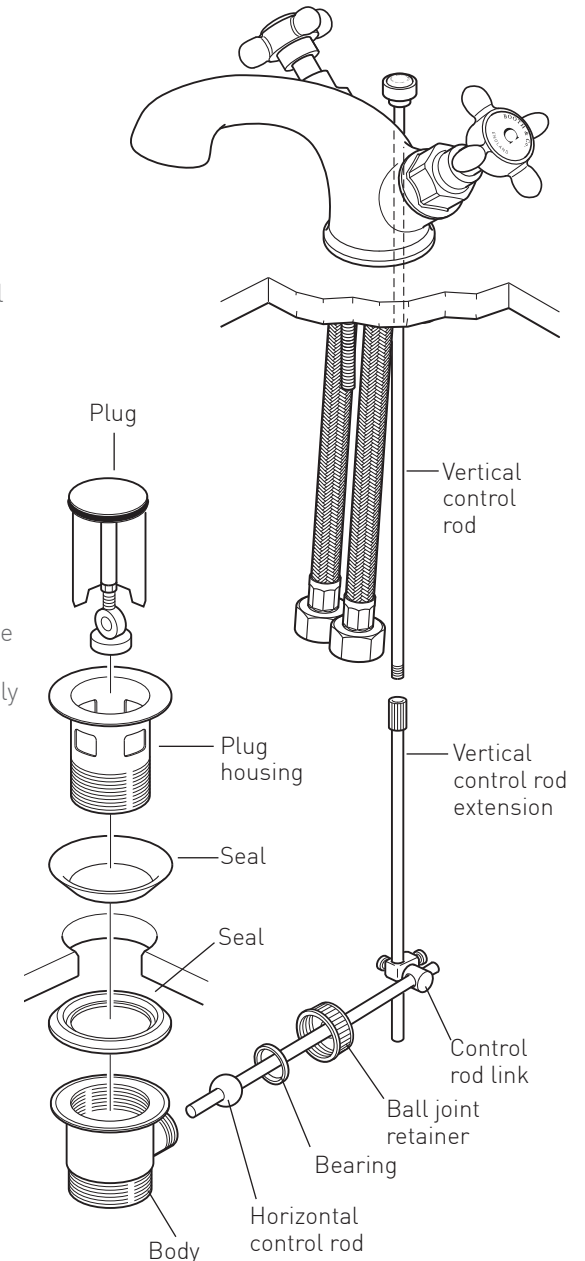
Insert the vertical control rod down through the hole in the back of the spout body and screw into the extension rod.

Place the short end of the horizontal control rod through the waste body and into the locator hole on the bottom of the plug. Screw on the ball joint retainer. Do not over tighten.

Slide the control rod link onto the vertical and horizontal control rods and loosely tighten.

Test the action of the pop-up waste and fully tighten the rod link. Adjust the control rod link as required. Adjust the height of the plug as required.

Turn on the water supply and turn the mixer on fully to flush through any possible debris from the mixer. Finally check all new connections for leaks.



Installation - mixer

NOTE: For illustrative purposes only the 100 tap with cross handles is shown. Please follow the same procedure to install the 200 tap with lever handles.

Before installing your new mixer, flush through the pipe work to ensure removal of debris, turn off the water supply.

Make sure the O-ring is in place in the underside of the mixer.

Position the mixer on the basin. From the underside of the basin screw the two flexible pipes to the hot and cold connections in the mixer body, the hot should be to the left and the cold to the right, hand tighten only.

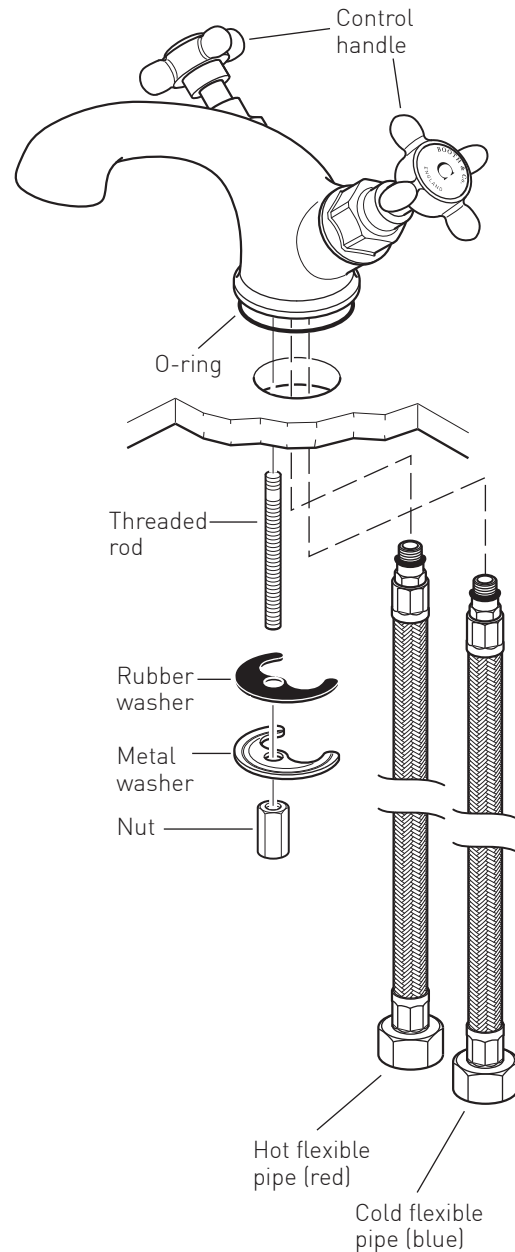
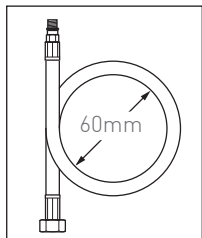
Screw the threaded rod into the small hole to the front of the mixer body.

Slide the rubber and metal washer over the rod, the rubber washer should be on top. Make sure that raised V part of the rubber washer sits in the groove of the metal washer. Screw on the nut and tighten to clamp the mixer to the basin.

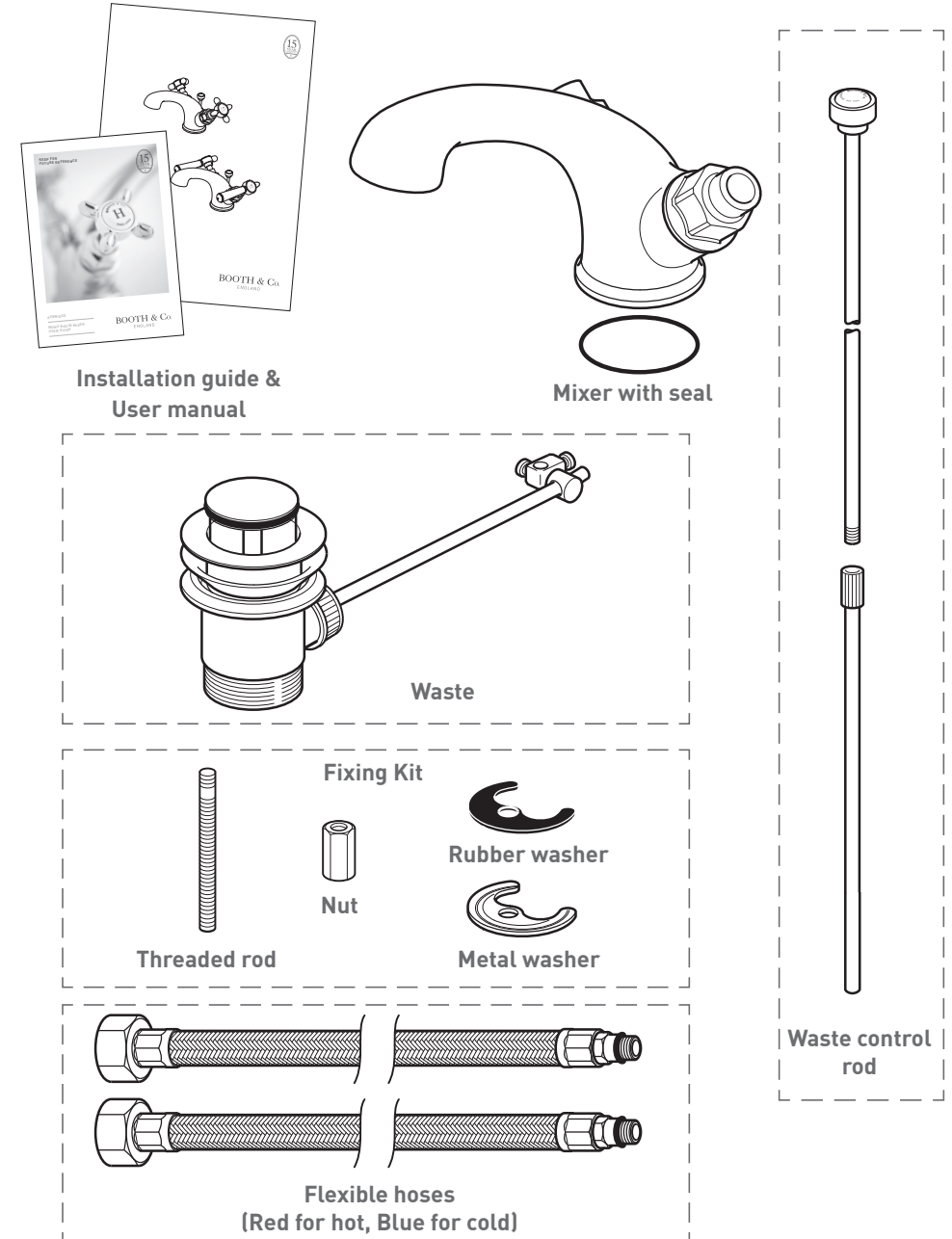
CAUTION: Do not over tighten the nut as this may damage the basin.

Connect the water supply to the inlet pipes. The hot water should be connected to the left pipe and cold to the right.

CAUTION: When installing the flexible hoses do not kink, or bend them more than the 60mm diameter as shown right.

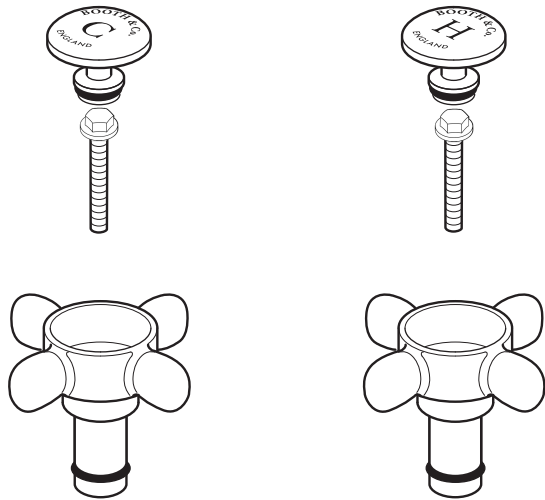


Contents of Packaging

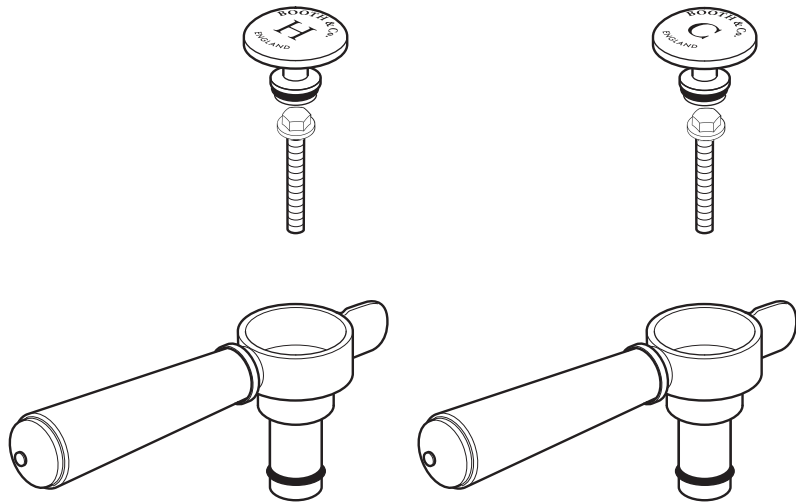


Contents of Packaging

Cross handle option OR Lever handle option



Cross handles
with Flange screw and screw cover



Lever handles
with Flange screw and screw cover

Installation - handle

Place the lock nut over the valve and screw down. Use a torque wrench to tighten the nut down to 20Nm. **See Fig. 3**

Screw the cover nut onto the valve, hand tight only.

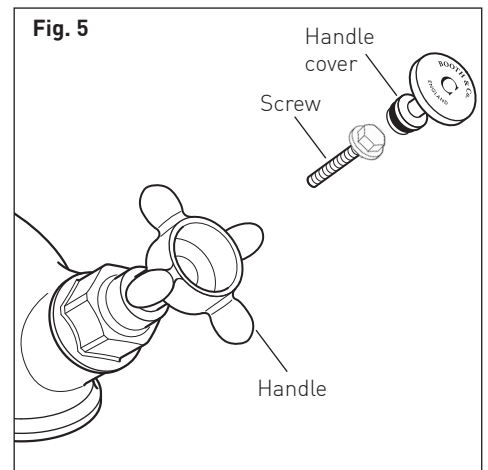
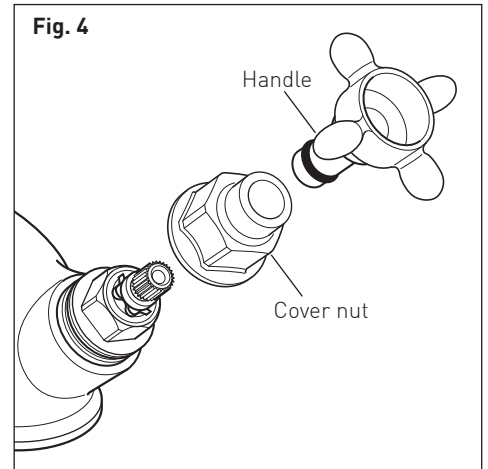
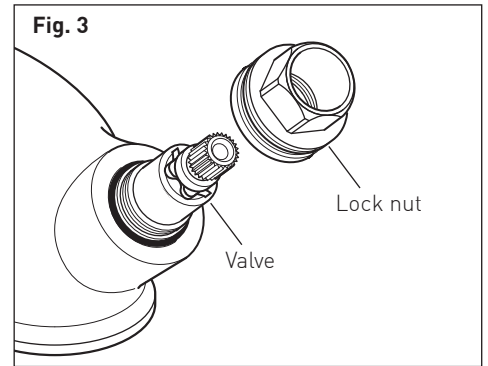
Carefully slide the handle onto the splines of the valve with the handle pointing in the correct position.

See Fig. 4

Finally secure the handle in position. Place the screw down through the handle, tighten using a cross head screwdriver.

Push on the handle cover.

See Fig. 5



Installation - handles

The handles can be fitted before or after the main installation. For illustrative purposes only the handles are being fitted before the tap installation. Please follow the same procedure to fit the handles after the tap has been installed.

For illustrative purposes only the cross handle is shown. The same procedure applies to install the lever handle.

Installing the handles

Remove cover nut and valve from the tap body, and then remove the lock nut from the valve. They should only be hand tight. See Fig. 1

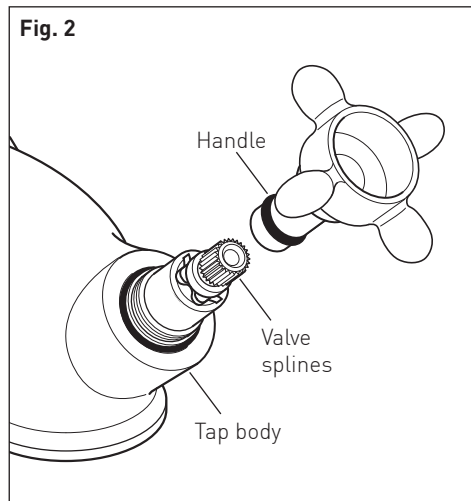
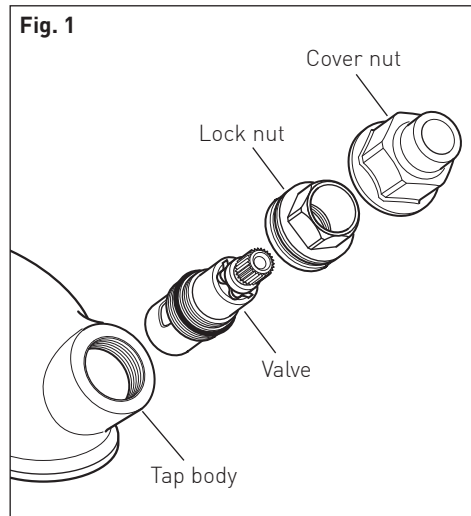
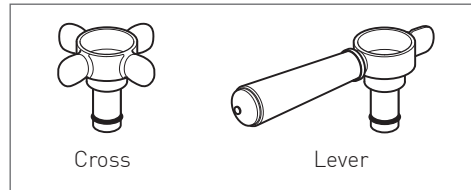
Screw the valve back into the tap body. Place a handle onto splines and using light force only turn the handle clockwise until you feel a noticeable resistance when the base of valve touches down on the body of the tap.

Turn the handle so the valve is in the closed position, then remove the handle and refit back onto the spline so it is as square as possible (do not worry if it is not perfectly aligned at this stage).

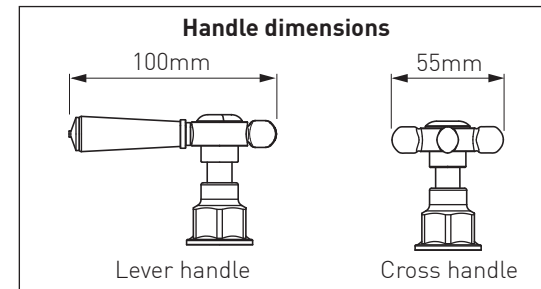
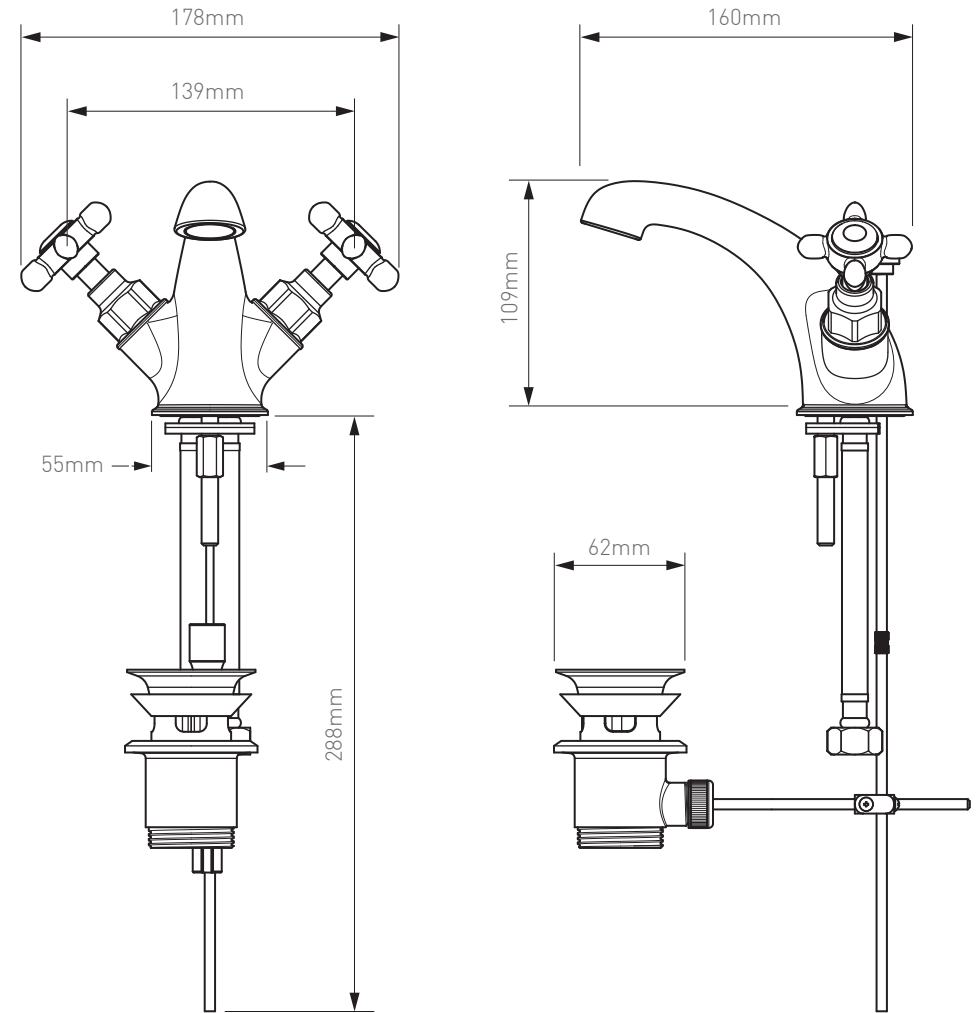
Without forcing the handle, adjust the handle and the valve together so that the handle is perfectly straight making sure you do not unscrew the valve by more than 20°. Should you do so you will need to go back to the beginning of this section and start again.

Test the action of the handle and valve making sure that the handle is perfectly straight in the off position. Remove the handle. See Fig. 2

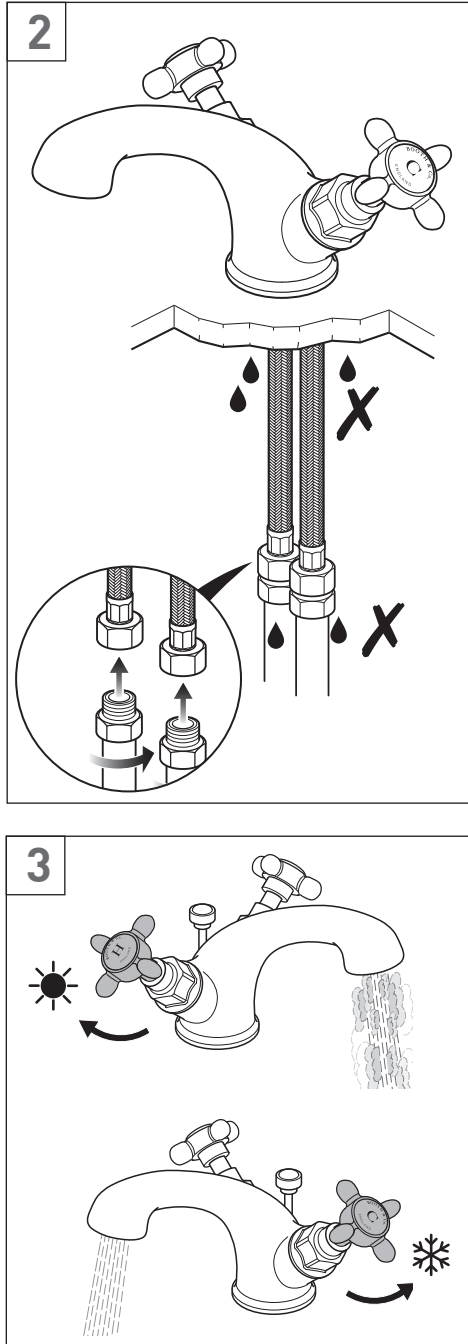
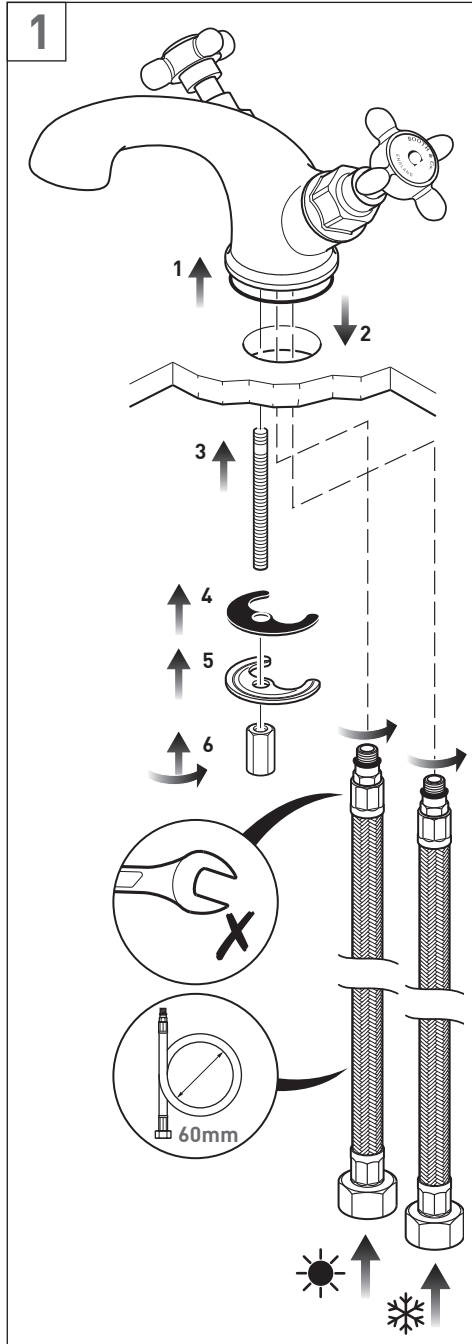
Lever handle
The lever on the handle should point forwards when in the off position.



Dimensions



Installation - Quick guide



Installation - Quick guide

