

[BC303DXWM-datasheet.pdf](#)

[BC403DXWM-datasheet.pdf](#)

[BC703DXWM-datasheet.pdf](#)

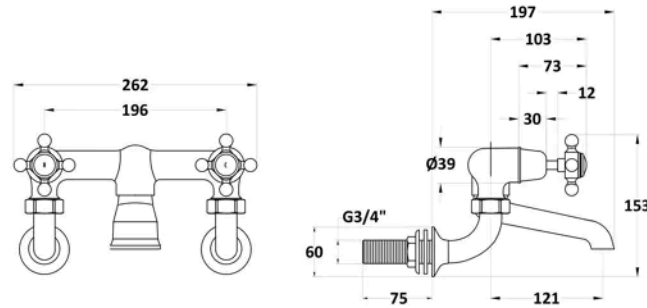
[BC803DXWM-datasheet.pdf](#)

Sales Code:
BC303DXWM

Barcode: 5056211853138

Brand: Hudson
Reed

Description: Hudson Reed Topaz Chrome/White Wall Mounted Bath Filler With Dome Collar and Crosshead Handle



Product Dimensions

Product	142 x 262 x 197mm (H x W x D)
Packaged	125 x 250 x 200mm (H x W x D)
Outer Box	200 x 250 x 125mm (H x W x D)
Nett Weight	2 kg
Packaged Weight	2.3 kg

Packaging Details

Label Size (mm)	50 x 100
Label Colour	White
Label Qty	1.0000

Product Details

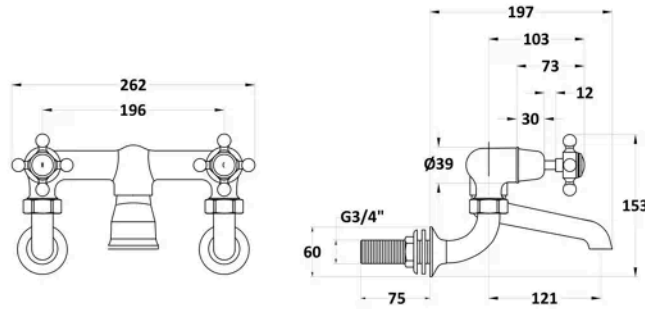
Country of Origin	China
Product Material	Brass
Control Type	Manual
WRAS Approved	No
Valve/Cartridge Type	1/4 Turn Ceramic Disc
Colour/Finish	Chrome
Mount Type	Wall Hung
Style	Traditional
Handle Type	Crosshead
TMV2 Approved	No
TMV3 Approved	No
Pipe Size	22 mm (3/4" BSP)
Pipe Centres	196
Handset Included	Yes
Min Operating Pressure	0.2 Bar
Minimum Operation Pressure	0 Bar
Tap Spout Projection	121 mm
Valve / Cartridge Type	1/4 Turn Ceramic Disc
Waste Included	No

Sales Code:
BC403DXWM

Barcode: 5056211853251

Brand: Hudson
Reed

Description: Hudson Reed Topaz Chrome/Black Wall Mounted Bath Filler With Dome Collar and Crosshead Handle



Product Dimensions

Product	142 x 262 x 197mm (H x W x D)
Packaged	125 x 250 x 200mm (H x W x D)
Outer Box	200 x 250 x 125mm (H x W x D)
Nett Weight	2 kg
Packaged Weight	2.3 kg

Packaging Details

Label Size (mm)	50 x 100
Label Colour	White
Label Qty	1.0000

Product Details

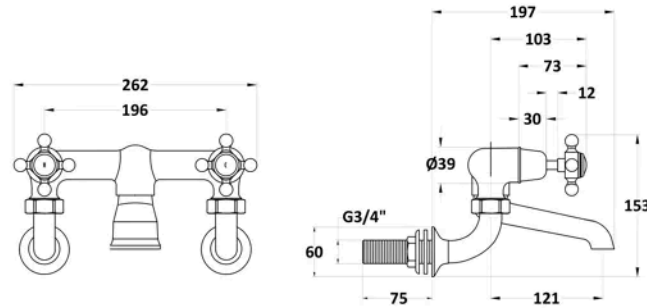
Country of Origin	China
Product Material	Brass
Control Type	Manual
WRAS Approved	No
Valve/Cartridge Type	1/4 Turn Ceramic Disc
Colour/Finish	Chrome
Mount Type	Wall Hung
Style	Traditional
Handle Type	Crosshead
TMV2 Approved	No
TMV3 Approved	No
Pipe Size	22 mm (3/4" BSP)
Pipe Centres	196
Handset Included	Yes
Min Operating Pressure	0.2 Bar
Minimum Operation Pressure	0 Bar
Tap Spout Projection	121 mm
Valve / Cartridge Type	1/4 Turn Ceramic Disc
Waste Included	No

Sales Code:
BC703DXWM

Barcode: 5056883703328

Brand: Hudson
Reed

Description: Hudson Reed Topaz Brushed Pewter Wall Mounted Bath Filler With Dome Collar and Crosshead Handle



Product Dimensions

Product	142 x 262 x 197mm (H x W x D)
Packaged	125 x 250 x 200mm (H x W x D)
Outer Box	200 x 250 x 125mm (H x W x D)
Nett Weight	2 kg
Packaged Weight	2.3 kg

Packaging Details

Label Size (mm)	50 x 100
Label Colour	White
Label Qty	1.0000

Product Details

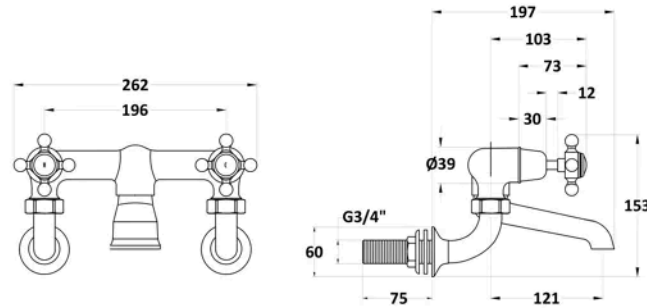
Country of Origin	China
Product Material	Brass
Control Type	Manual
WRAS Approved	No
Valve/Cartridge Type	1/4 Turn Ceramic Disc
Colour/Finish	Brushed Pewter
Mount Type	Wall Hung
Style	Traditional
Handle Type	Crosshead
TMV2 Approved	No
TMV3 Approved	No
Pipe Size	22 mm (3/4" BSP)
Pipe Centres	196
Handset Included	Yes
Min Operating Pressure	0.2 Bar
Minimum Operation Pressure	0 Bar
Tap Spout Projection	121 mm
Valve / Cartridge Type	1/4 Turn Ceramic Disc
Waste Included	No

Sales Code:
BC803DXWM

Barcode: 5056883702932

Brand: Hudson
Reed

Description: Hudson Reed Topaz Brushed Brass Wall Mounted Bath Filler With Dome Collar and Crosshead Handle



Product Dimensions

Product	142 x 262 x 197mm (H x W x D)
Packaged	125 x 250 x 200mm (H x W x D)
Outer Box	200 x 250 x 125mm (H x W x D)
Nett Weight	2 kg
Packaged Weight	2.3 kg

Packaging Details

Label Size (mm)	50 x 100
Label Colour	White
Label Qty	1.0000

Product Details

Country of Origin	China
Product Material	Brass
Control Type	Manual
WRAS Approved	No
Valve/Cartridge Type	1/4 Turn Ceramic Disc
Colour/Finish	Brushed Brass
Mount Type	Wall Hung
Style	Traditional
Handle Type	Crosshead
TMV2 Approved	No
TMV3 Approved	No
Pipe Size	22 mm (3/4" BSP)
Pipe Centres	196
Handset Included	Yes
Min Operating Pressure	0.2 Bar
Minimum Operation Pressure	0 Bar
Tap Spout Projection	121 mm
Valve / Cartridge Type	1/4 Turn Ceramic Disc
Waste Included	No