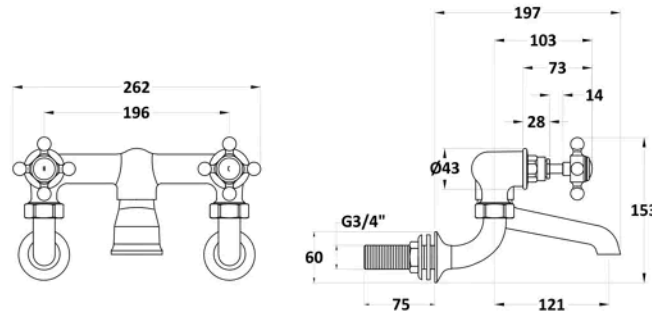


**Sales Code:**  
BC303HXWM

**Barcode:** 5056211853152

**Brand:** Hudson  
Reed

**Description:** Hudson Reed Topaz Chrome/White Wall Mounted Bath Filler With Hexagonal Collar and Crosshead Handle



### Product Dimensions

Product	142 x 262 x 197mm (H x W x D)
Packaged	125 x 250 x 200mm (H x W x D)
Outer Box	200 x 250 x 125mm (H x W x D)
Nett Weight	2 kg
Packaged Weight	2.3 kg

### Packaging Details

Label Size (mm)	50 x 100
Label Colour	White
Label Qty	1.0000

### Product Details

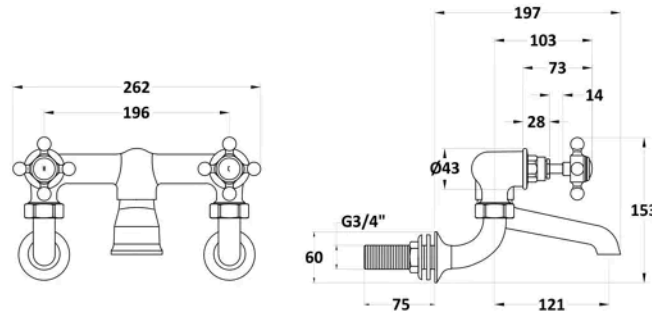
Country of Origin	China
Product Material	Brass
Control Type	Manual
WRAS Approved	No
Valve/Cartridge Type	1/4 Turn Ceramic Disc
Colour/Finish	Chrome
Mount Type	Wall Hung
Style	Traditional
Handle Type	Crosshead
TMV2 Approved	No
TMV3 Approved	No
Pipe Size	22 mm (3/4" BSP)
Pipe Centres	196
Handset Included	Yes
Min Operating Pressure	0.2 Bar
Minimum Operation Pressure	0 Bar
Tap Spout Projection	121 mm
Valve / Cartridge Type	1/4 Turn Ceramic Disc
Waste Included	No

**Sales Code:**  
BC403HXWM

**Barcode:** 5056211853275

**Brand:** Hudson  
Reed

**Description:** Hudson Reed Topaz Chrome/Black Wall Mounted Bath Filler With Hexagonal Collar and Crosshead Handle



### Product Dimensions

Product	142 x 262 x 197mm (H x W x D)
Packaged	125 x 250 x 200mm (H x W x D)
Outer Box	200 x 250 x 125mm (H x W x D)
Nett Weight	2 kg
Packaged Weight	2.3 kg

### Packaging Details

Label Size (mm)	50 x 100
Label Colour	White
Label Qty	1.0000

### Product Details

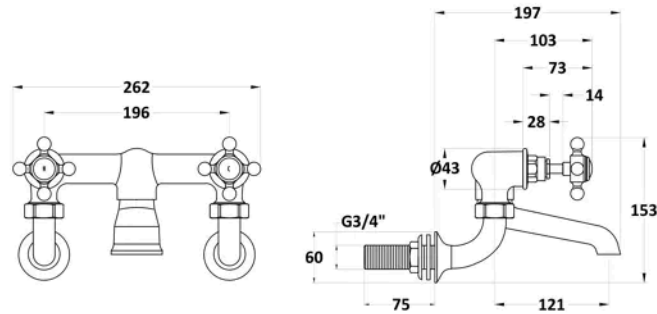
Country of Origin	China
Product Material	Brass
Control Type	Manual
WRAS Approved	No
Valve/Cartridge Type	1/4 Turn Ceramic Disc
Colour/Finish	Chrome
Mount Type	Wall Hung
Style	Traditional
Handle Type	Crosshead
TMV2 Approved	No
TMV3 Approved	No
Pipe Size	22 mm (3/4" BSP)
Pipe Centres	196
Handset Included	Yes
Min Operating Pressure	0.2 Bar
Minimum Operation Pressure	0 Bar
Tap Spout Projection	121 mm
Valve / Cartridge Type	1/4 Turn Ceramic Disc
Waste Included	No

**Sales Code:**  
BC703HXWM

**Barcode:** 5056883703229

**Brand:** Hudson  
Reed

**Description:** Hudson Reed Topaz Brushed Pewter Wall Mounted Bath Filler With Hexagonal Collar and Crosshead Handle



**Product Dimensions**

Product	142 x 262 x 197mm (H x W x D)
Packaged	125 x 250 x 200mm (H x W x D)
Outer Box	200 x 250 x 125mm (H x W x D)
Nett Weight	2 kg
Packaged Weight	2.3 kg

**Packaging Details**

Label Size (mm)	50 x 100
Label Colour	White
Label Qty	1.0000

**Product Details**

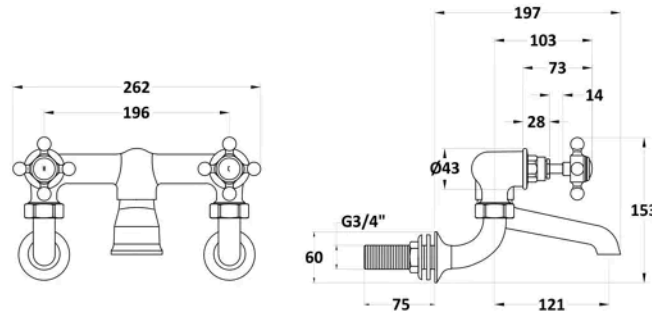
Country of Origin	China
Product Material	Brass
Control Type	Manual
WRAS Approved	No
Valve/Cartridge Type	1/4 Turn Ceramic Disc
Colour/Finish	Brushed Pewter
Mount Type	Wall Hung
Style	Traditional
Handle Type	Crosshead
TMV2 Approved	No
TMV3 Approved	No
Pipe Size	22 mm (3/4" BSP)
Pipe Centres	196
Handset Included	Yes
Min Operating Pressure	0.2 Bar
Minimum Operation Pressure	0 Bar
Tap Spout Projection	121 mm
Valve / Cartridge Type	1/4 Turn Ceramic Disc
Waste Included	No

**Sales Code:**  
BC803HXWM

**Barcode:** 5056883702833

**Brand:** Hudson  
Reed

**Description:** Hudson Reed Topaz Brushed Brass Wall Mounted Bath Mixer With Crosshead Handle



### Product Dimensions

Product	142 x 262 x 197mm (H x W x D)
Packaged	125 x 250 x 200mm (H x W x D)
Outer Box	200 x 250 x 125mm (H x W x D)
Nett Weight	2 kg
Packaged Weight	2.3 kg

### Packaging Details

Label Size (mm)	50 x 100
Label Colour	White
Label Qty	1.0000

### Product Details

Country of Origin	China
Product Material	Brass
Control Type	Manual
WRAS Approved	No
Valve/Cartridge Type	1/4 Turn Ceramic Disc
Colour/Finish	Brushed Brass
Mount Type	Wall Hung
Style	Traditional
Handle Type	Crosshead
TMV2 Approved	No
TMV3 Approved	No
Pipe Size	22 mm (3/4" BSP)
Pipe Centres	196
Handset Included	Yes
Min Operating Pressure	0.2 Bar
Minimum Operation Pressure	0 Bar
Tap Spout Projection	121 mm
Valve / Cartridge Type	1/4 Turn Ceramic Disc
Waste Included	No