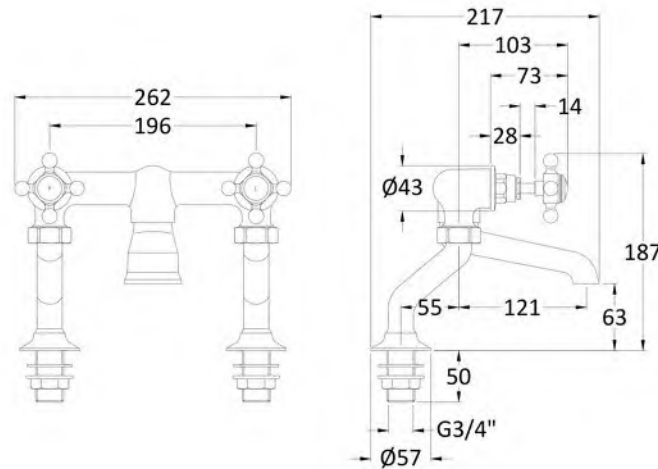


**Sales Code:**  
BC303HX

**Barcode:** 5056211853114

**Brand:** Hudson  
Reed

**Description:** Hudson Reed Topaz Chrome/White Deck Mounted Bath Filler With Hexagonal Collar and Crosshead Handle



**Product Dimensions**

|                 |                               |
|-----------------|-------------------------------|
| Product         | 187 x 262 x 217mm (H x W x D) |
| Packaged        | 125 x 250 x 200mm (H x W x D) |
| Outer Box       | 200 x 250 x 125mm (H x W x D) |
| Nett Weight     | 2 kg                          |
| Packaged Weight | 2.3 kg                        |

**Packaging Details**

|                 |          |
|-----------------|----------|
| Label Size (mm) | 50 x 100 |
| Label Colour    | White    |
| Label Qty       | 1.0000   |

**Product Details**

|                            |                       |
|----------------------------|-----------------------|
| Country of Origin          | China                 |
| Product Material           | Brass                 |
| Control Type               | Manual                |
| WRAS Approved              | No                    |
| Valve/Cartridge Type       | 1/4 Turn Ceramic Disc |
| Colour/Finish              | Chrome                |
| Mount Type                 | Deck                  |
| Style                      | Traditional           |
| Handle Type                | Crosshead             |
| TMV2 Approved              | No                    |
| TMV3 Approved              | No                    |
| Pipe Size                  | 22 mm (3/4" BSP)      |
| Pipe Centres               | 90-300                |
| Handset Included           | Yes                   |
| Min Operating Pressure     | 0.2 Bar               |
| Minimum Operation Pressure | 0 Bar                 |
| Tap Spout Height           | 63 mm                 |
| Tap Spout Projection       | 121 mm                |
| Valve / Cartridge Type     | 1/4 Turn Ceramic Disc |
| Waste Included             | No                    |