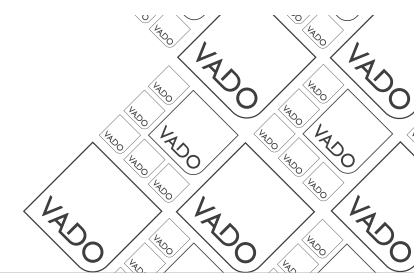




where inspiration flows

SAFARI

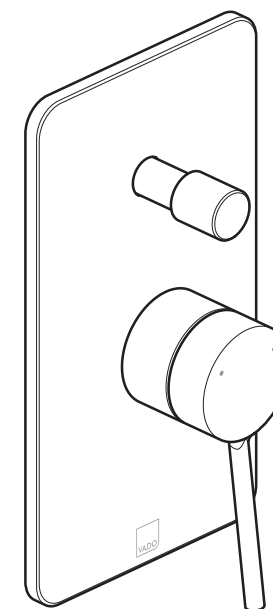


Installation Guide
Concealed two outlet manual valve

This instruction booklet covers these models:

SAF-147A
(All finish options)

SAF-147A



Vado
Wedmore Road, Cheddar, Somerset, England BS27 3EB
tel 01934 744466 fax 01934 744345
aftersales@vado.com
www.vado.com

Version 1, 1-5-25

Keep for future reference



Important - please read

Please read these instructions carefully before starting installation and keep for future reference.

Remove all packaging and check the product for missing parts or damage before starting installation.

Any alterations made to this product and fittings may infringe water regulations and will invalidate the guarantee.

The installation must comply with all Local/National Water Supply Authority Regulations/Byelaws and Building and Plumbing Regulations.
To be installed in accordance with BS EN806.

We strongly recommend that you use a qualified and registered plumber.

General installation

This fitting is a mixing device and therefore water supplies should be reasonably balanced.

When installed, the fitting must comply with the requirements of the Water Supply (Water Fittings) Regulations 1999 and Scottish Byelaws 2004.

For further information, contact the Water Regulations department of your local water supplier (see the WRAS website www.wras.co.uk for details) or the Water Regulations Advisory Scheme by email (info@wras.co.uk) or telephone: 01495848454.

Before making any inlet pipe connections, all supply pipes MUST be thoroughly flushed to remove debris. Failure to do so could result in damage or low flow from the mixer unit. Water Supply (Water Fittings) Regulations 1999 Schedule 2 Section 13.

The fitting of isolating valves to the inlet feeds is advised for ease of maintenance.

Please take great care when installing this mixer not to damage its surface.

Please note if installing in an enclosed environment, access should be left for servicing and maintenance. No costs relating to inadequate access can be accepted.

Operating Specifications

Operating Pressure

Minimum operating pressure for shower **0.2 bar**

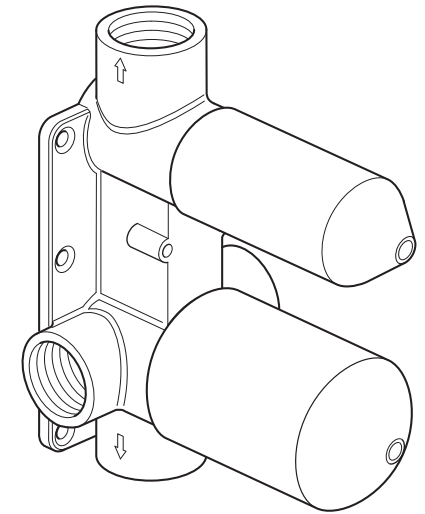
Minimum operating pressure for bath **1 bar**

Maximum operating pressure **5 bar**

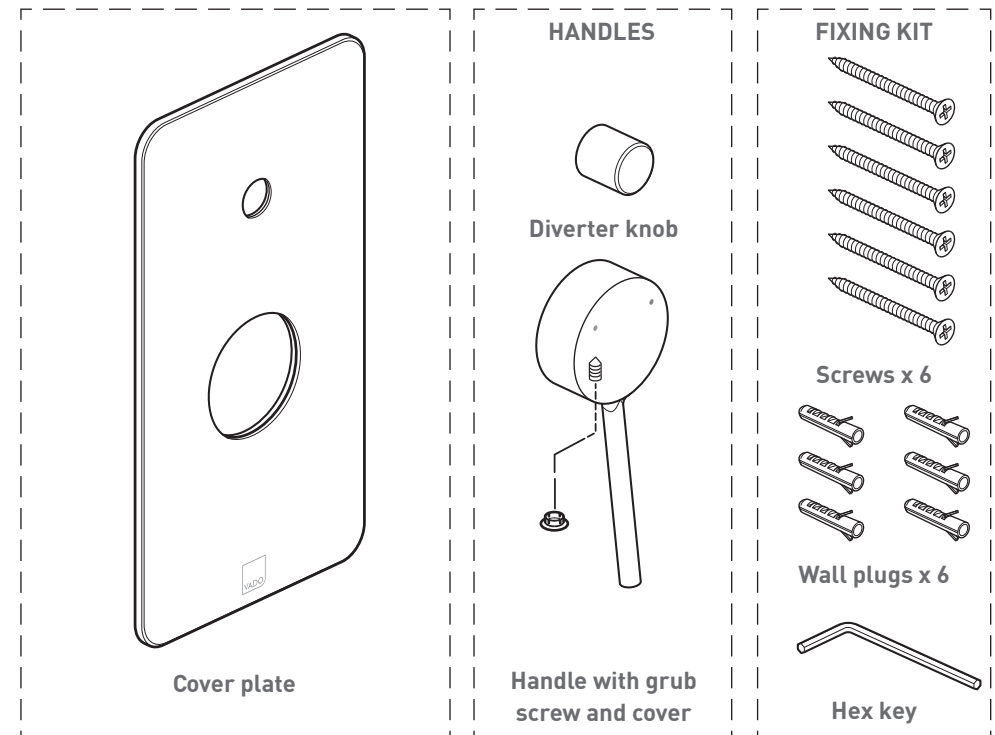
Contents of Packaging



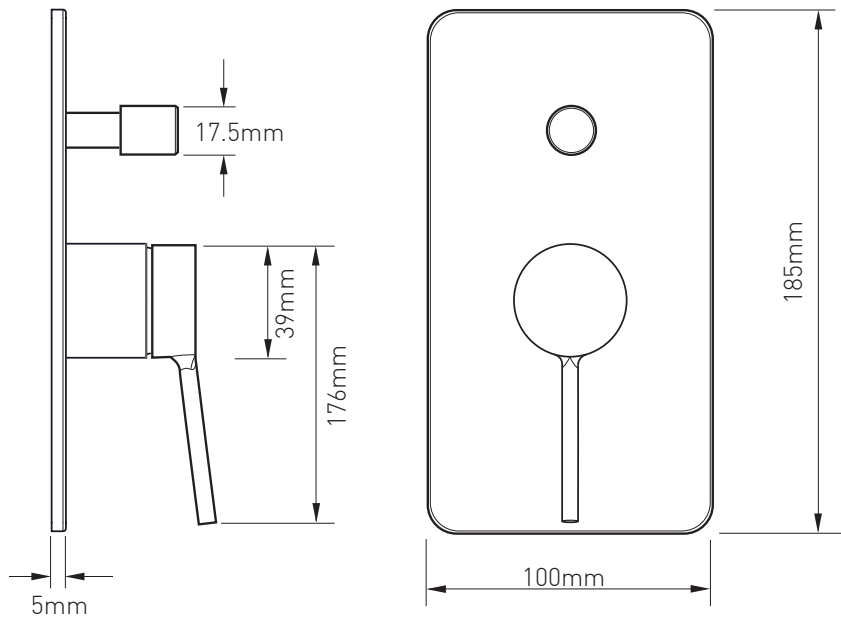
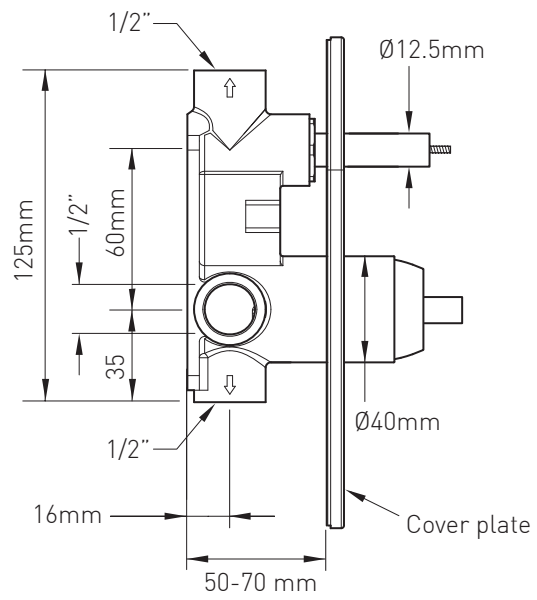
Installation guide &
User manual



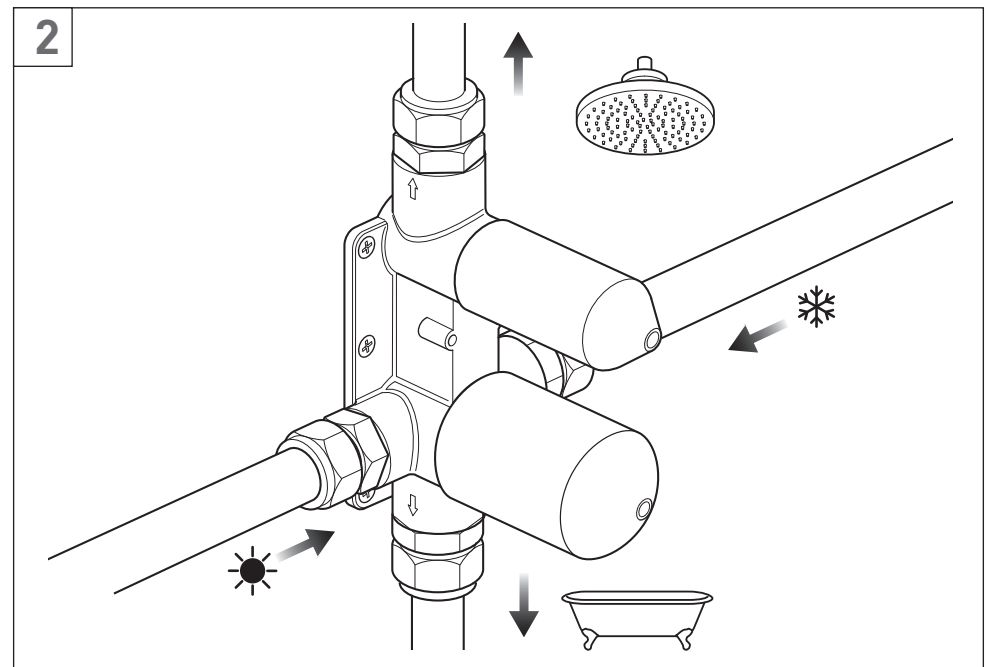
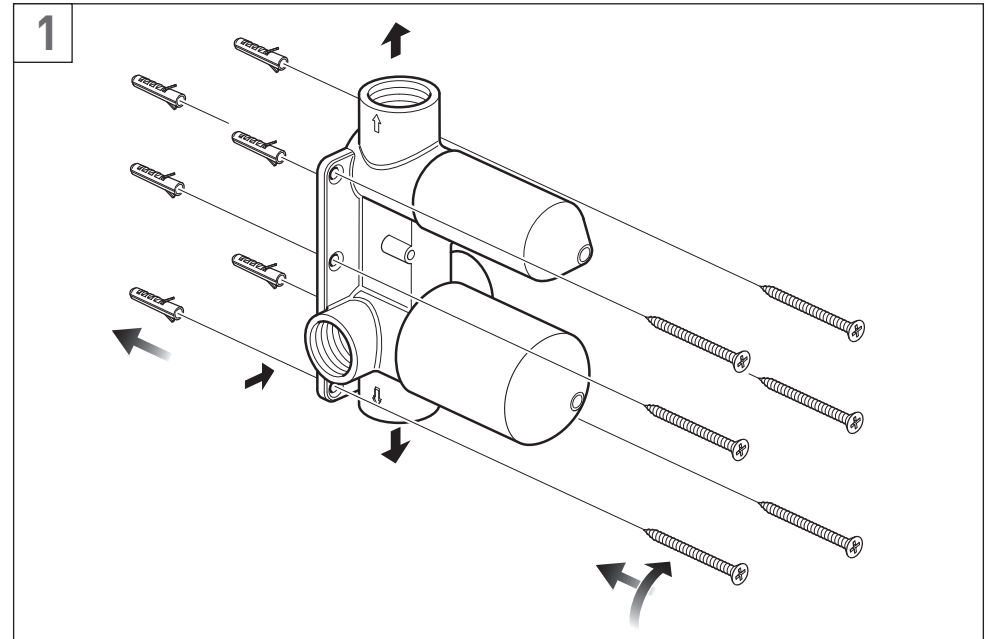
Valve with mortar guards



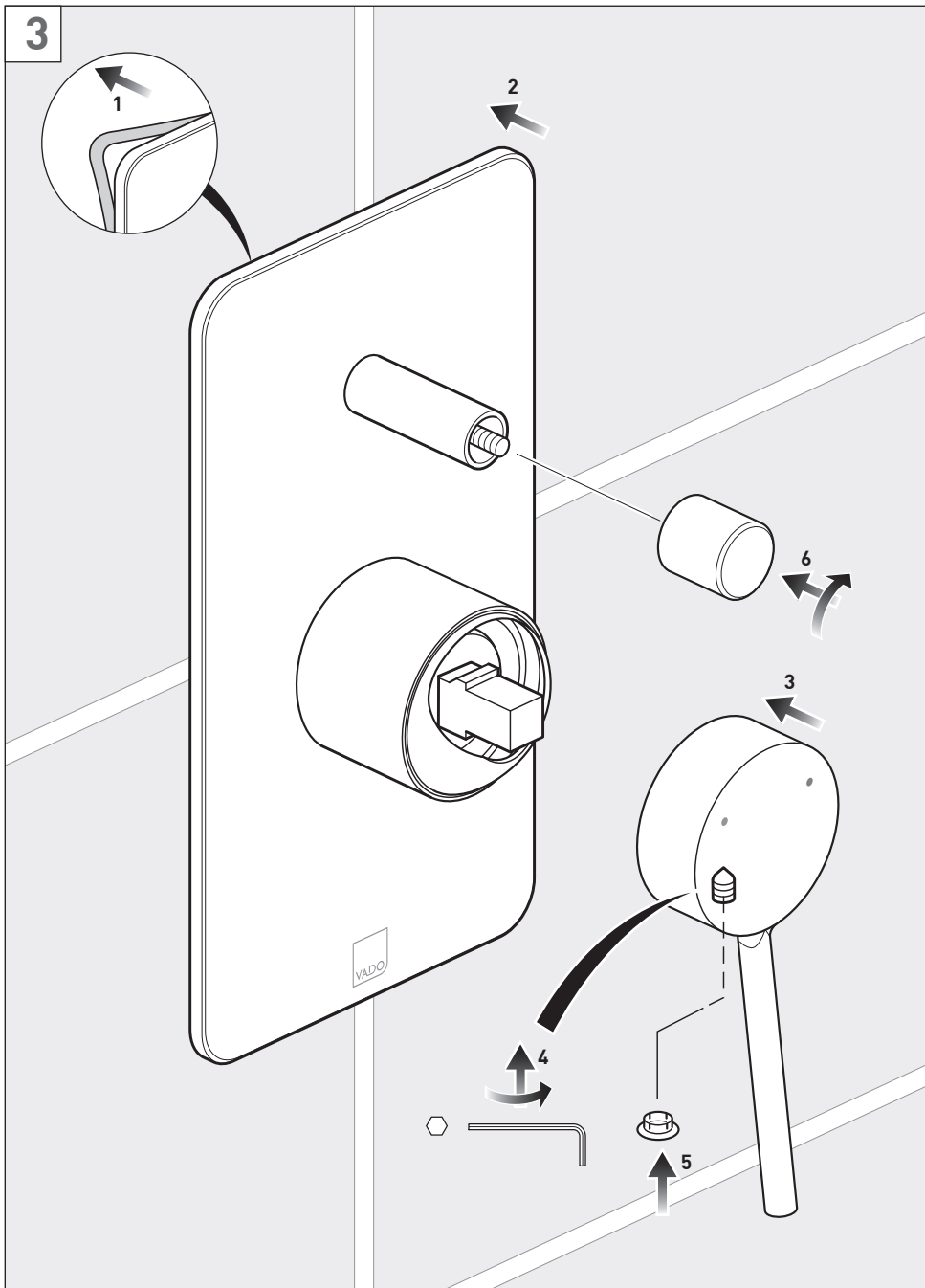
Dimensions



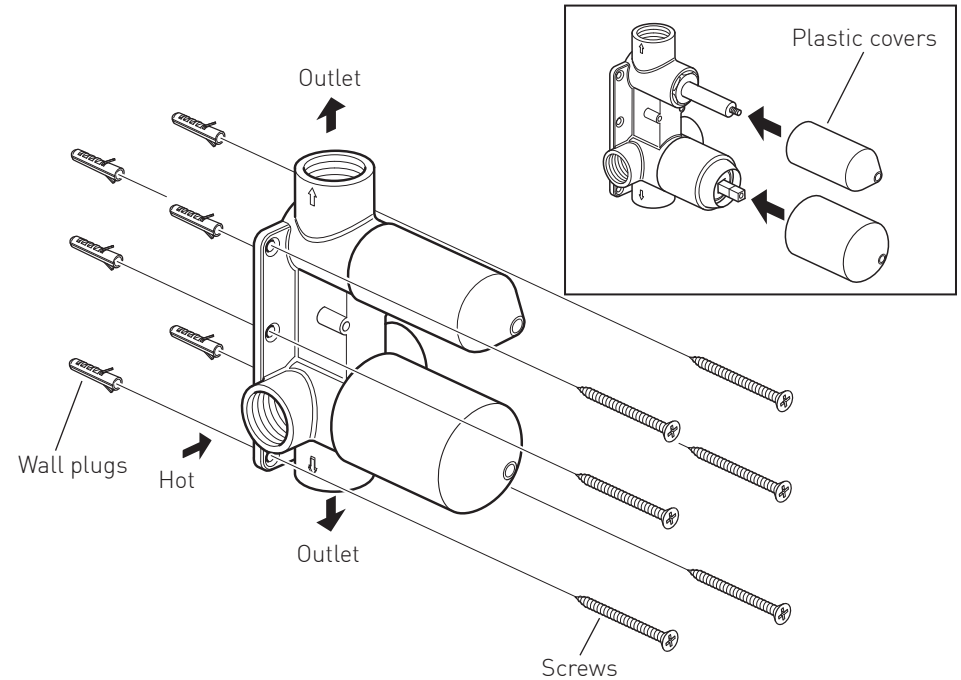
Installation - Quick guide



Installation - Quick guide



Installation



Before installing your new mixer, flush through the pipework to ensure removal of debris, turn off the water supply.

Warning! Please check for any hidden cables and pipes before drilling holes in the wall.

Use the plastic covers as protection for the surface during installation (see above).

The valve must be set into the wall by 50-70mm (see dimension page).

If you are fitting the valve to a partition wall or a wall of particularly soft substrate you will need specialist fixings.

Select the position for the shower valve and offer the shower valve to the wall, mark the 6 fixing points at the top and bottom with a suitable pencil.

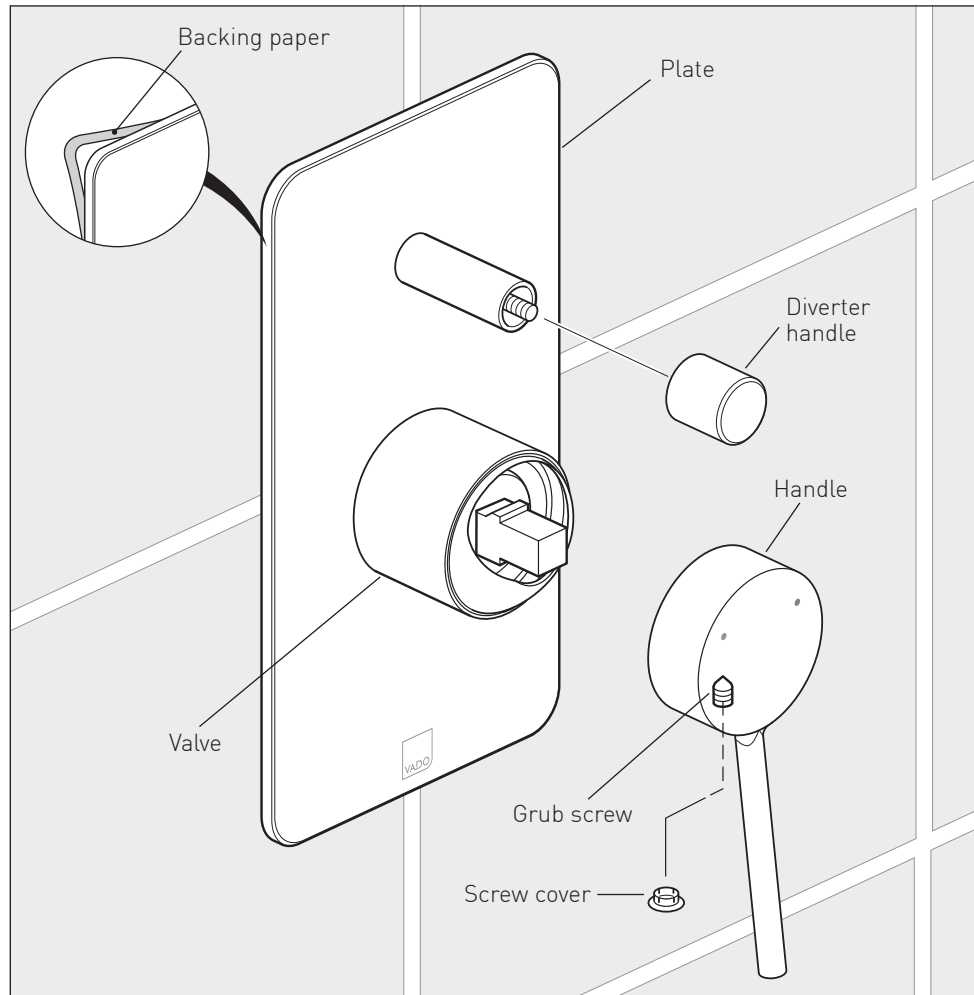
Secure the valve to the wall with suitable fixings.

Make all connections to the valve. Connect hot supply to left inlet of the valve and cold supply to right inlet.

Connect the outlets to the desired channels e.g. top outlet to the shower head and bottom outlet to the bath.

Finish the wall, keep the final finished wall surface between the min and max dimensions.

Installation



Notes:

Remove the backing paper from the seal located on the back of the plate. Slide the plate over the valve, push onto the wall until it makes contact.

Carefully slide the control handle onto the valve and secure in position with the grub screw located within the handle using the hexagonal key supplied, replace the screw cover.

Screw on the diverter handle.

Note: If the valve is sited within in a wet environment, it is recommended that once the valve is commissioned the plate is sealed with a thin bead of sealant around three sides to provide a water-tight seal between the plate and the wall material, leaving the bottom edge free to allow for maintenance purposes.

Notes:

Notes: