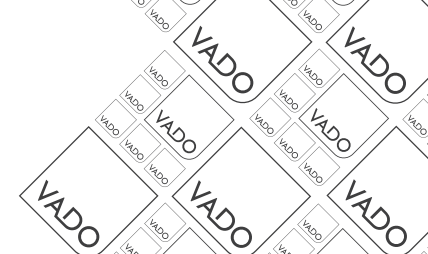




where inspiration flows

SAFARI



Installation Guide

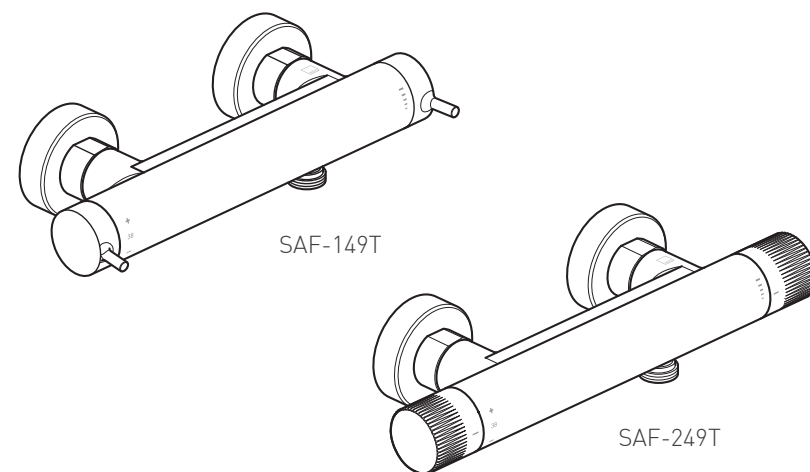
Wall mounted thermostatic exposed shower bar

This instruction booklet covers these models:

SAF-149T, SAF-249T
(All finish options)

SAF-149T

SAF-249T



Vado
Wedmore Road, Cheddar, Somerset, England BS27 3EB
tel 01934 744466 fax 01934 744345
aftersales@vado.com
www.vado.com



Important - please read

Please read these instructions carefully before starting installation and keep for future reference.

Remove all packaging and check the product for missing parts or damage before starting installation.

Any alterations made to this product and fittings may infringe water regulations and will invalidate the guarantee.

The installation must comply with all Local/National Water Supply Authority Regulations/Byelaws and Building and Plumbing Regulations.
To be installed in accordance with BS EN806.

We strongly recommend that you use a qualified and registered plumber.

IMPORTANT: Failure to comply with the installation and commissioning instructions as detailed will invalidate the product warranty.

General installation

This fitting is a mixing device and therefore water supplies should be reasonably balanced.

When installed, the fitting must comply with the requirements of the Water Supply (Water Fittings) Regulations 1999 and Scottish Byelaws 2004.

For further information, contact the Water Regulations department of your local water supplier (see the WRAS website www.wras.co.uk for details) or the Water Regulations Advisory Scheme by email (info@wras.co.uk) or telephone: 01495848454.

Before making any inlet pipe connections, all supply pipes MUST be thoroughly flushed to remove debris. Failure to do so could result in damage or low flow from the mixer unit. Water Supply (Water Fittings) Regulations 1999 Schedule 2 Section 13.

The fitting of isolating valves to the inlet feeds is advised for ease of maintenance.

Please take great care when installing this mixer not to damage its surface.

Please note if installing in an enclosed environment, access should be left for servicing and maintenance. No costs relating to inadequate access can be accepted.

Please note: installation for the SAF-249T is shown throughout this guide, please follow the same instructions to install the SAF-149T.

Operating Specifications

Operating Pressure

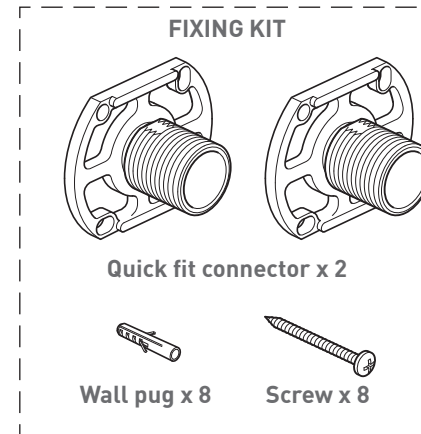
Minimum operating pressure **0.2 bar**

Maximum operating pressure **5 bar**

Contents of Packaging



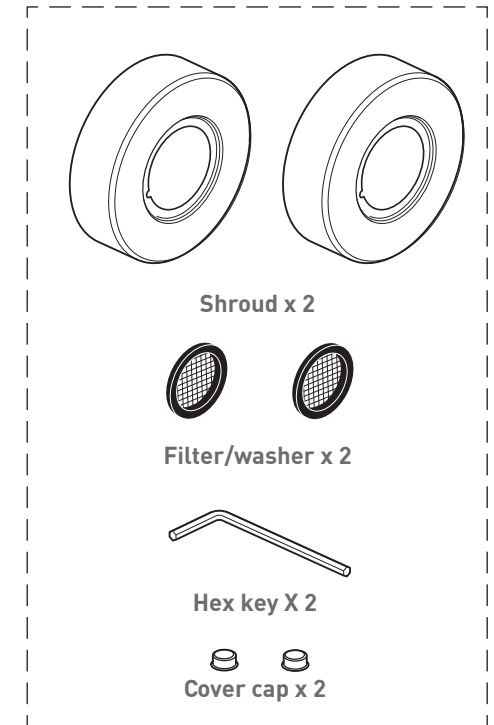
Installation guide &
User manual



Quick fit connector x 2

Wall pug x 8

Screw x 8

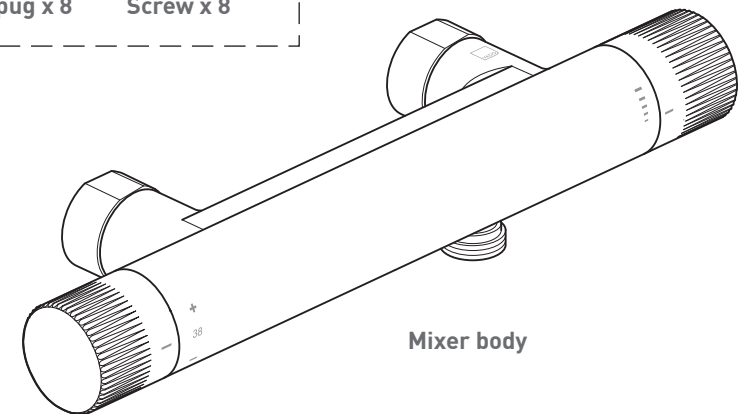


Shroud x 2

Filter/washer x 2

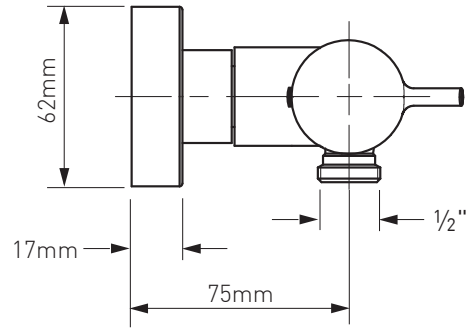
Hex key X 2

Cover cap x 2

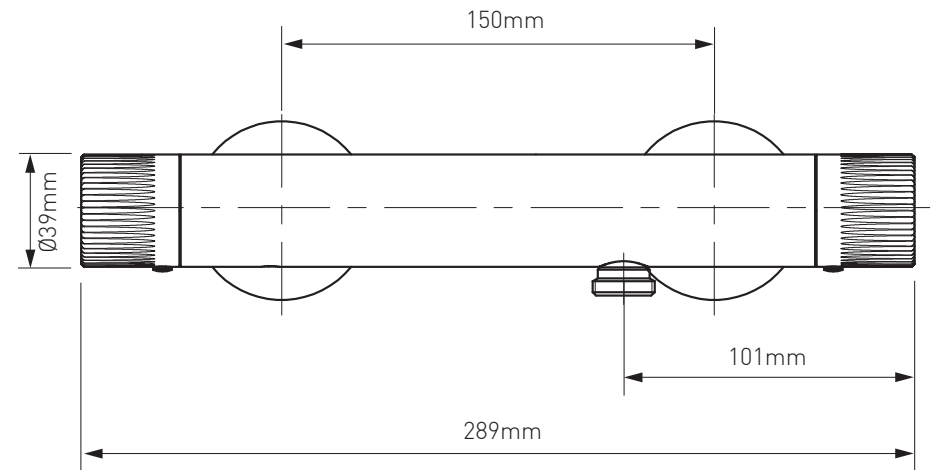
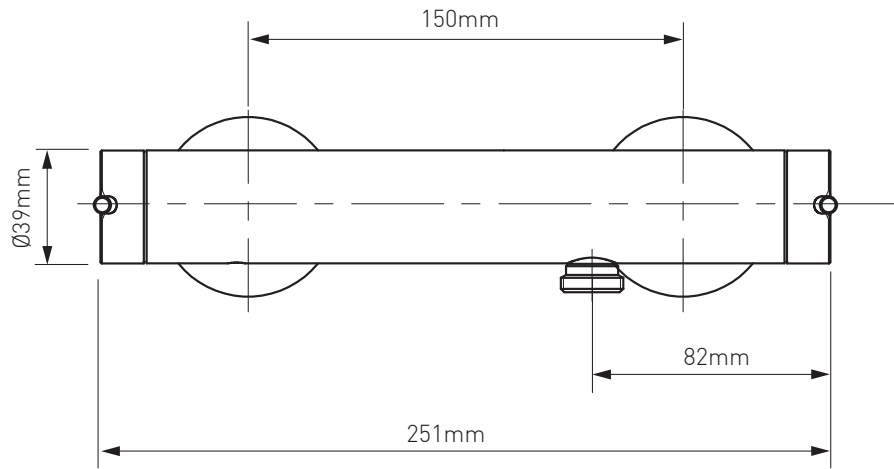
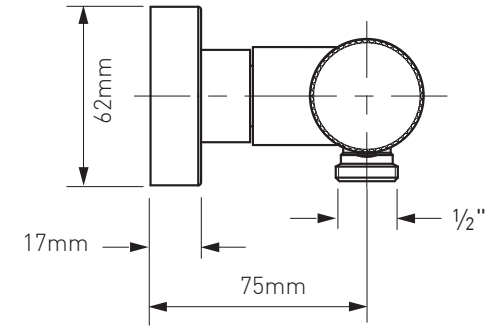


Mixer body

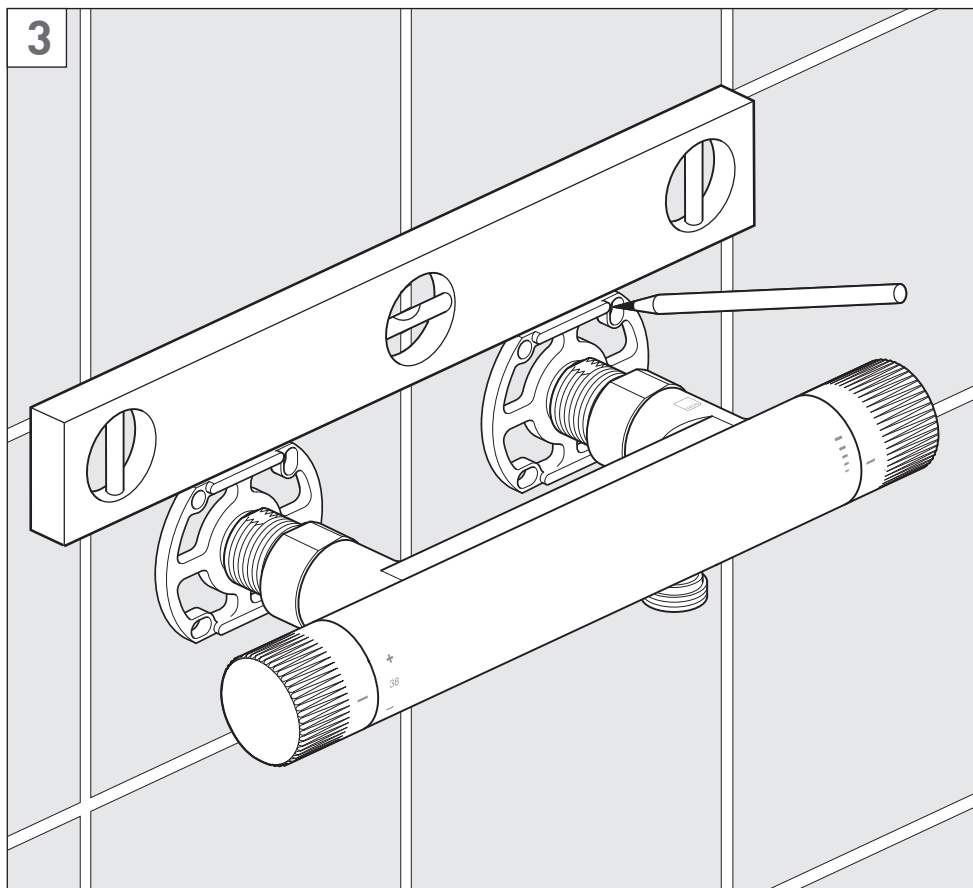
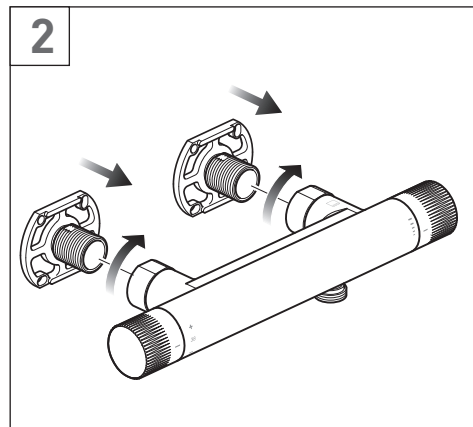
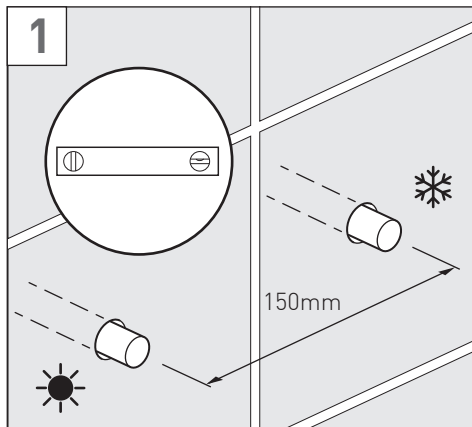
Dimensions - SAF-149T



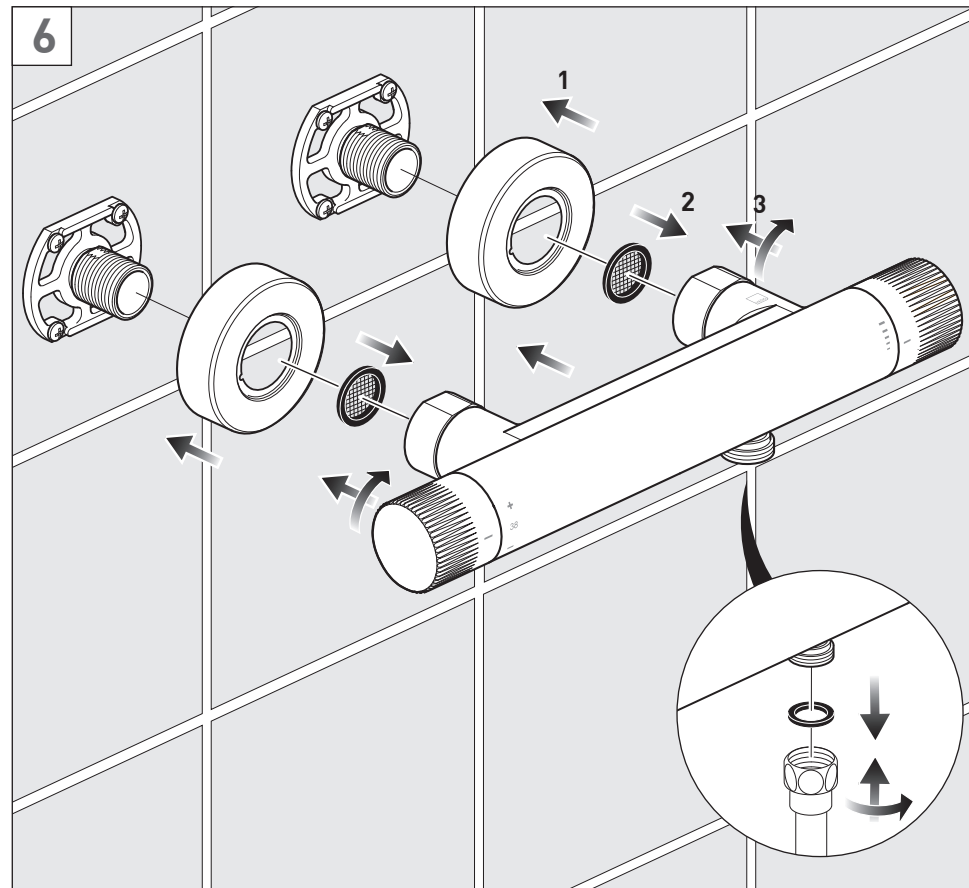
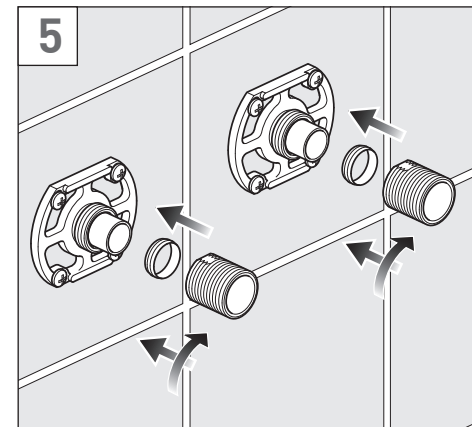
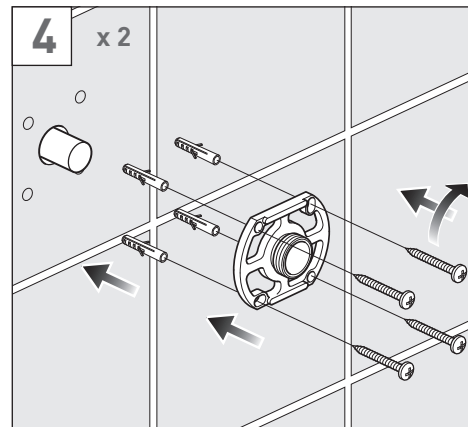
Dimensions - SAF-249T



Installation - Quick guide

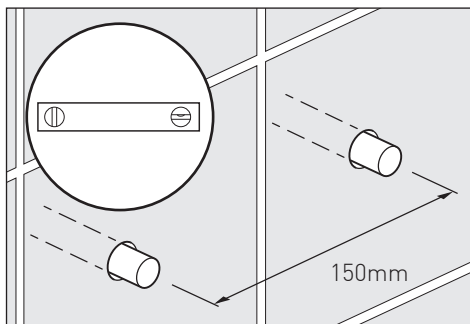


Installation - Quick guide

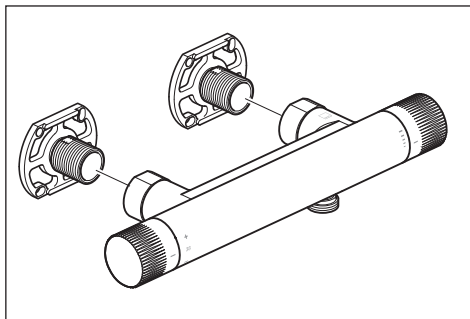


Installation - Quick fit connectors

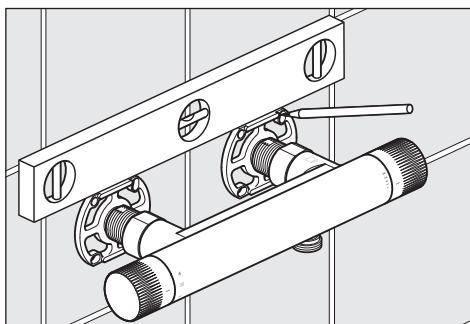
Prepare the wall with 2 copper pipes at 150mm centres. Connect the water supply to the inlet pipes. The hot water should be connected to the left hand pipe.



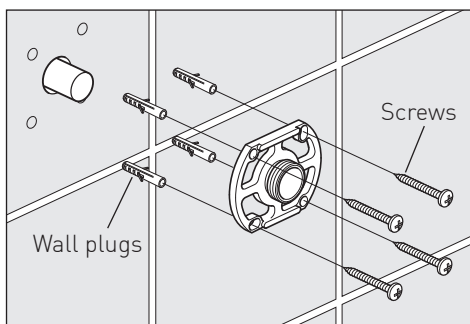
Temporarily screw both quick fit connectors onto the valve.



Position the valve making sure it is level and mark the position of the 4 screw holes in each connector.



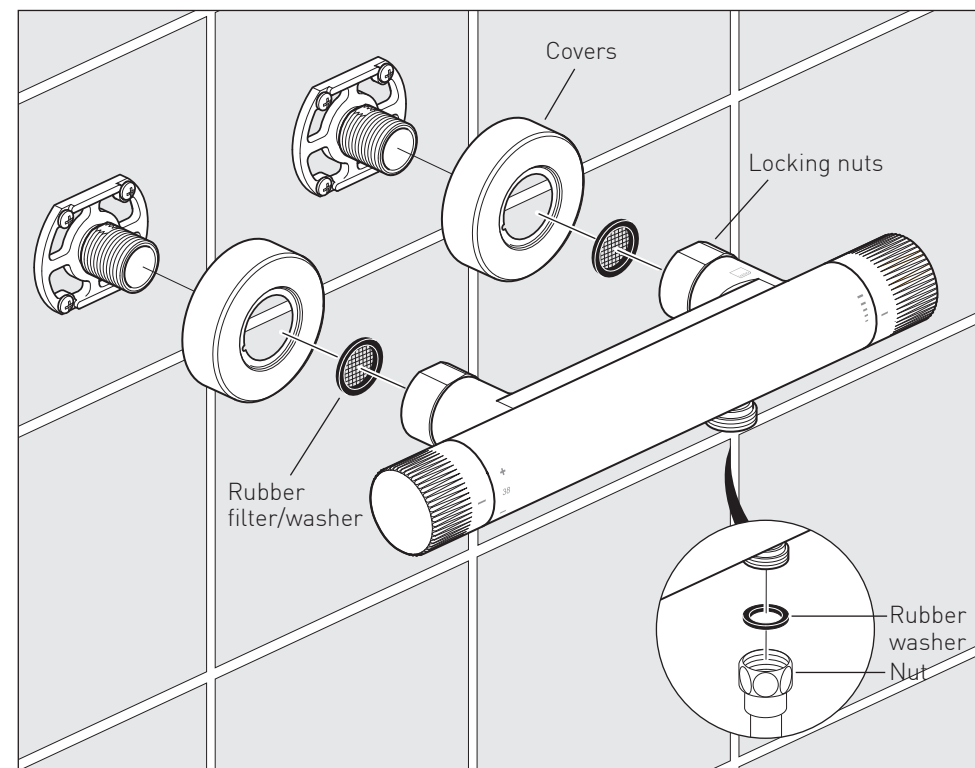
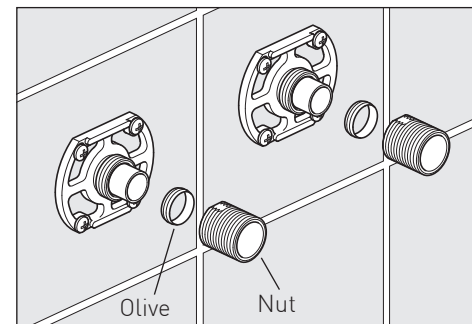
⚠ Warning! Please check for any hidden cables and pipes before drilling holes in the wall. Remove the nut and olive from the connector. Drill the 4 marked holes to a suitable depth for the wall plugs and secure with supplied screws. Repeat for the other connector.



Installation - Quick fit connectors

Slide on the olive, screw on and tighten the nut.

Before installation flush through the pipe work to ensure removal of debris, turn off the water supply.



Screw the covers on each connector. Place a rubber filter/washer in each of the locking nuts on the valve and screw onto the connectors.

Place a rubber washer into the nut end of the hose and attach it to the mixer outlet.

Commissioning & temperature resetting

Please ensure that the commissioning of the valve is done under normal operating conditions. The Vado SAF-149T and 249T Thermostatic Mixing Valve is supplied factory set at 38° C. To alter this setting, proceed as follows.

Note: mixed water temperature at terminal fitting should never exceed 46° C.

The valve has been factory set under balance pressures and hot water supply at 65° C. When your specific operating conditions are significantly different from the above, the temperature of the water may vary from the setting.

When the difference is too great, you can adjust the calibration of the valve to suit individual requirements of the installation:

1. Select 38° C or the arrow on the handle and check the temperature of the water being delivered to the outlet with a thermometer.

2. If the temperature is unacceptable, proceed to reset the calibration as follows:

Remove the temperature control handle by removing the screw cover on the back of the handle, using the supplied hexagonal key loosen the grub screw and pull off the handle.

Do not remove the plastic stop ring. Turn the spline of the valve clockwise to decrease the temperature and anti-clockwise to increase the temperature until 38° is achieved.

3. Ensure that the step on the stop ring is at 12 o'clock. Replace the handle being careful not to turn the spline of the valve. The valve setting is now calibrated to suit your requirements.

A digital hand-held thermometer should be used to measure the outlet temperature correctly which must not exceed 38° C.

Place the cover caps into hole on each handle.

Notes:

