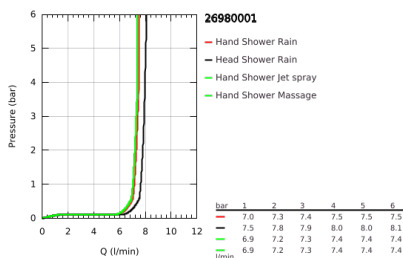
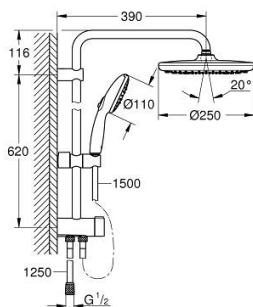


26 980 001 TEMPESTA SYSTEM 250 FLEX SHOWER SYSTEM WITH DIVERTER FOR WALL MOUNTING



PRODUCT DESCRIPTION (1/2)

- Colour: Chrome
- Consisting of:
 - horizontal 390 mm shower arm, adjustable before installation
 - change by diverter between hand shower, head shower or head shower Eco setting
 - head shower Tempesta 250 (26 666)
 - 2 spray patterns (via diverter): Rain, SmartRain
 - maximum flow rate (at 3 bar): 7.9 l/min
 - head shower with white rear cover
 - with ball joint, rotation angle $\pm 10^\circ$
 - hand shower Tempesta 110 (28 419)
 - spray patterns: Rain, Jet, Massage
 - maximum flow rate (at 3 bar): 7.4 l/min
 - adjustable height via gliding element
 - distance between diverter and upper bracket: 620 mm
 - shower hose Relexaflex 1500 mm (28 151)
 - shower hose Relexaflex 1250 mm (28 150)
- flexible installation: connection to tap / wall union for water supply with 1/2" thread of the 1250 mm shower hose
- maximum flow rate system (at 3 bar): 7.9 l/min
- GROHE EcoJoy - less water, perfect flow
- GROHE SmartSwitch - easily rotate the dial to enjoy your preferred spray option
- GROHE DreamSpray - perfect spray pattern
- ShockProof silicone ring prevents damage caused by a shower falling
- GROHE LongLife finish
- GROHE SpeedClean - effortless limescale removal
- Inner WaterGuide - inner insulation for surface protection
- suitable for instantaneous heaters from 18 kW/h

Pure Freude
an Wasser

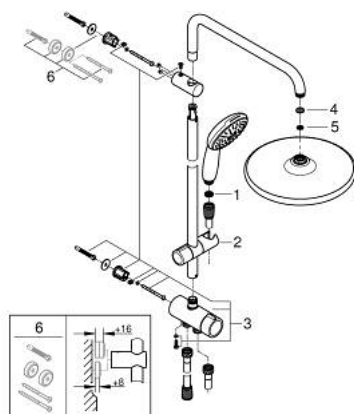


26 980 001 **TEMPESTA SYSTEM 250 FLEX SHOWER SYSTEM WITH DIVERTER FOR WALL MOUNTING**

PRODUCT DESCRIPTION (2/2)

- minimum flow rate 5 l/min.
- min. recommended pressure 1.0 bar
- professional edition

26 980 001 TEMPESTA SYSTEM 250 FLEX SHOWER SYSTEM WITH DIVERTER FOR WALL MOUNTING



SPARE PARTS, November 2021 – now

- 1: Strainer (Spare part-nr. 0700200M)
- 2: Sliding piece (Spare part-nr. 48609000)
- 3: Diverter (Spare part-nr. 48338000)
- 4: Fibre seal dia. Ø 18,5 x Ø 12 x 2 (Spare part-nr. 0138900M)
- 5: Strainer (Spare part-nr. 48007000)
- 6: Spacer (Spare part-nr. 26496000)*

* Optional accessories