

**Sales Code:** ENZW004

**Barcode:** 5056678428849

**Brand:** nuie

**Description:** nuie 700mm Framed Walk-In Wetroom Screen Set With Tray



*Technical Drawing Not Available*

**Product Dimensions**

Product	1950 x 700 x 14mm (H x W x D)
Nett Weight	85 kg
Packaged Weight	85 kg

**Product Details**

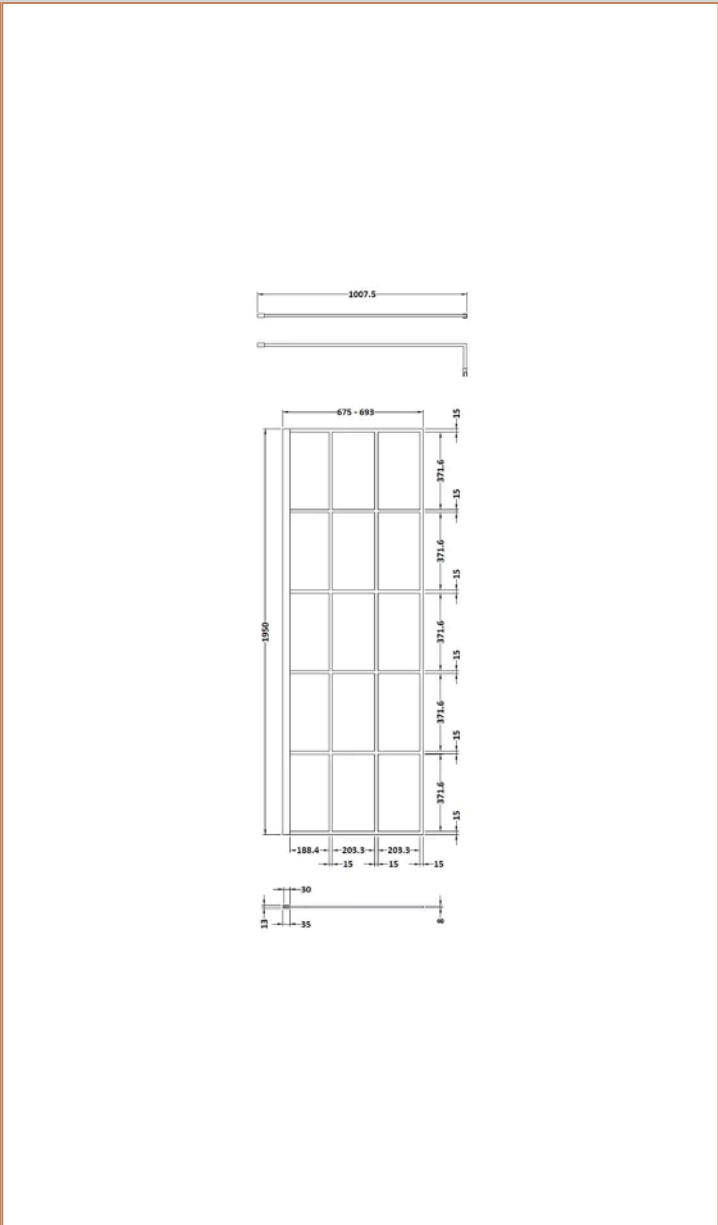
Country of Origin	China
Product Material	Acrylic Capped Abs Caco3 And Pu,Aluminium,Glass
Colour/Finish	Matt Black
Style	Contemporary
Ce Certified	Yes
Enclosure Design	Framed
Glass Thickness	8 mm
Waste Included	No

**Sales Code:** WRSF070

**Barcode:** 5056211806882

**Brand:** Hudson Reed

**Description:** Hudson Reed 700mm Framed Matrix Matt Black Wetroom Screen



**Product Dimensions**

Product	1950 x 700 x 14mm (H x W x D)
Packaged	60 x 750 x 2070mm (H x W x D)
Nett Weight	31.1 kg
Packaged Weight	31.1 kg

**Product Details**

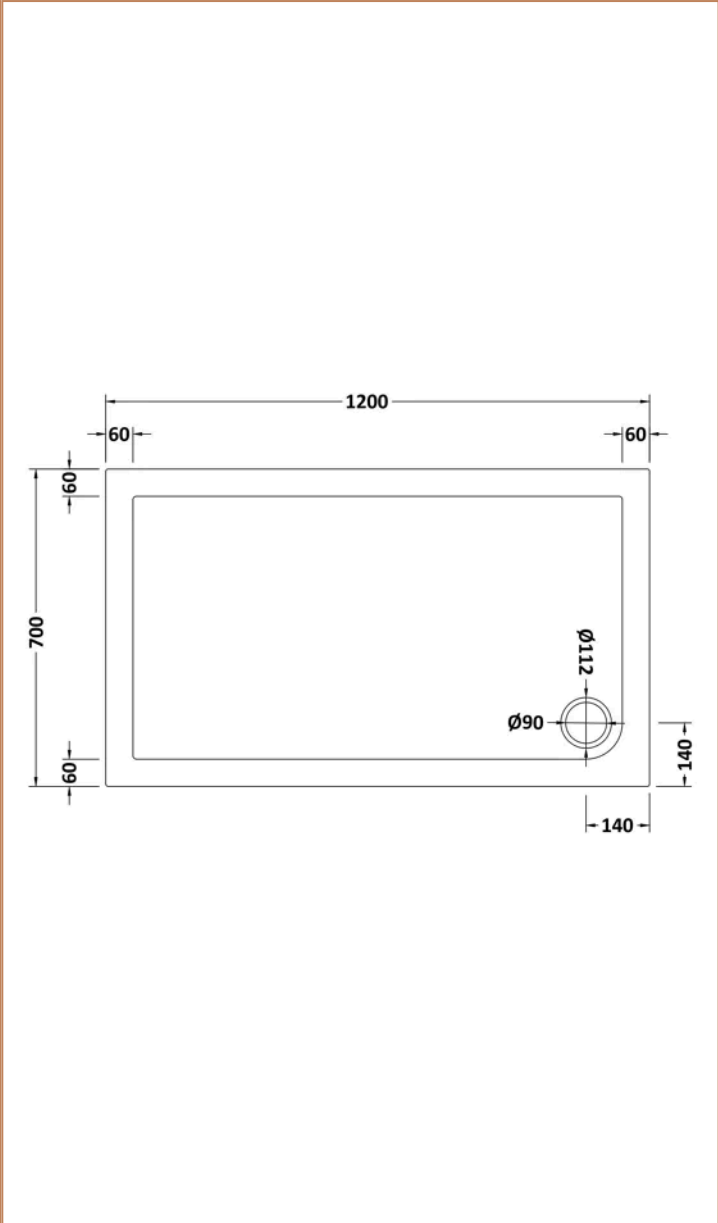
Country of Origin	China
Product Material	Aluminium
Colour/Finish	Matt Black
Style	Contemporary
Fixings Included	Yes
Easy Clean	Yes
Adjustment Max	693
Adjustment Min	675
Ce Certified	Yes
Declaration Of Performance	Yes
Easy Fit	No
Enclosure Design	Framed
Frame Finish	Matt Black
Glass Thickness	8 mm
Handles Included	No
Support Bar Included	Yes
Ukca Certified	Yes

**Sales Code:** NTP011

**Barcode:** 5055369025381

**Brand:** nuie

**Description:** nuie 1200 x 700mm Rectangular Shower Tray



**Product Dimensions**

Product	40 x 700 x 1200mm (H x W x L)
Packaged	80 x 740 x 1240mm (H x W x D)
Nett Weight	26.4 kg
Packaged Weight	26.7 kg

**Product Details**

Country of Origin	United Kingdom
Product Material	Acrylic Capped Abs Caco3 And Pu
Colour/Finish	White
Style	Contemporary
Fixings Included	No
Ce Certified	Yes
Leg Set Included	No
Legs Included	No
Raised Edge	Yes
Slip Resistant	No
Waste Included	No
Waste Size Required	90mm