

**Sales Code:** BAZSE079

**Barcode:** 5056678408353

**Brand:** nuie

**Description:** nuie 1700 x 700mm European White Straight Single Ended Bath Bundle



### Product Dimensions

Product	400 x 700 x 1700mm (H x W x L)
Nett Weight	0.01 kg
Packaged Weight	0.01 kg

### Product Details

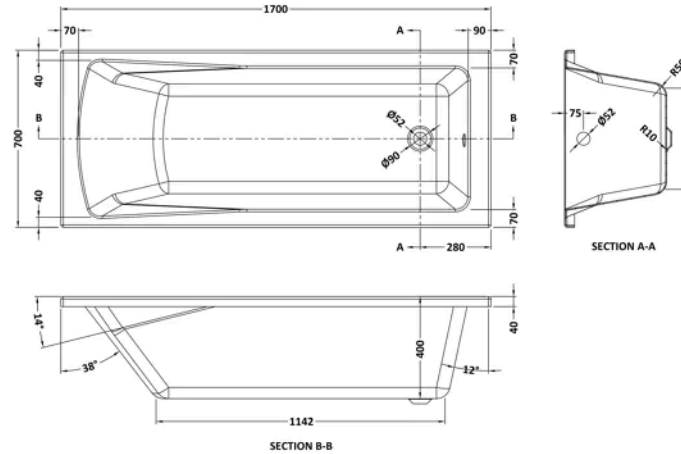
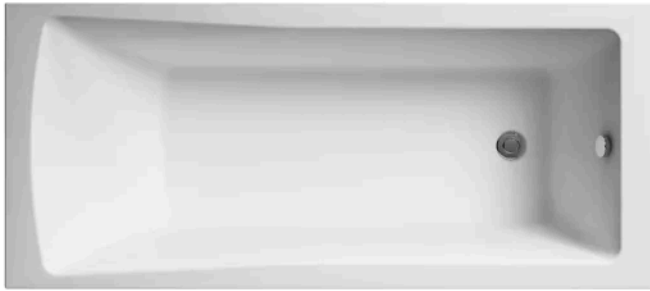
Volume	169 Litre
Country of Origin	United Kingdom
Product Material	Acrylic Eternalite
Colour/Finish	European White
Style	Contemporary
Adjustment Max	790
Adjustment Min	775
Bath Panel Included	Yes
Displaced Capacity	99 Litre
Embossed	No
Frame Finish	Polished Chrome
Glass Thickness	6 mm
Includes Grips	No
Leg Set Included	Yes
Legs Included	Yes
No. Of Tapholes	No Tapholes
Overflow Included	Yes
Tap Included	No
Waste Included	No

**Sales Code:** BMON008

**Barcode:** 5055369024162

**Brand:** nuie

**Description:** nuie Eternalite 1700mm Square Single Ended Bath With Legs



**Product Dimensions**

Product	400 x 700 x 1700mm (H x W x L)
Packaged	1700 x 420 x 700mm (H x W x D)
Nett Weight	32.72 kg
Packaged Weight	32.72 kg

**Packaging Details**

Label Size (mm)	50 x 100
Label Colour	White
Label Qty	2.0000

**Product Details**

Volume	169 Litre
Country of Origin	Egypt
Product Material	Acrylic Eternalite
Colour/Finish	White
Style	Contemporary
Fixings Included	No
Bath Panel Included	No
Ce Certified	Yes
Declaration Of Performance	Yes
Displaced Capacity	99 Litre
Includes Grips	No
Leg Set Included	Yes
Legs Included	Yes
No. Of Tapholes	No Tapholes
Overflow Included	No
Tap Included	No
Waste Included	No

**Sales Code:** PAN140

**Barcode:** 5055369060832

**Brand:** nuie

**Description:** nuie 1700mm Acrylic Front Bath Panel



**Product Dimensions**

Product	510 x 1700 x 25mm (H x W x D)
Packaged	510 x 50 x 1710mm (H x W x D)
Nett Weight	2.1 kg
Packaged Weight	2.1 kg

**Product Details**

Country of Origin	United Kingdom
Product Material	Acrylic
Colour/Finish	European White
Style	Contemporary
Bath Panel Shape	Straight
Bath Panel Type	Front Panel

**Sales Code:** NSSQ

**Barcode:** 5055369002566

**Brand:** nuie

**Description:** nuie 800mm Chrome Bath Screen



**Product Dimensions**

Product	1430 x 790 x 38mm (H x W x D)
Packaged	50 x 805 x 1460mm (H x W x D)
Nett Weight	17 kg
Packaged Weight	17.4 kg

**Product Details**

Country of Origin	China
Product Material	Aluminium
Colour/Finish	Chrome
Style	Contemporary
Easy Clean	No
Adjustment Max	790
Adjustment Min	775
Ce Certified	Yes
Declaration Of Performance	No
Easy Fit	No
Enclosure Design	Semi-Frameless
Frame Finish	Chrome
Glass Thickness	6 mm
Handles Included	No
Support Bar Included	No
Swing In Dimension	700 mm
Swing Out Dimension	700 mm
Ukca Certified	Yes