

Sales Code: BAZSE027

Barcode: 5056678407837

Brand: nuie

Description: nuie 1700 x 700mm European White Round Shower Bath, Bath Screen And Side Panel



Product Dimensions

Product	400 x 700 x 1700mm (H x W x L)
Nett Weight	0.01 kg
Packaged Weight	0.01 kg

Product Details

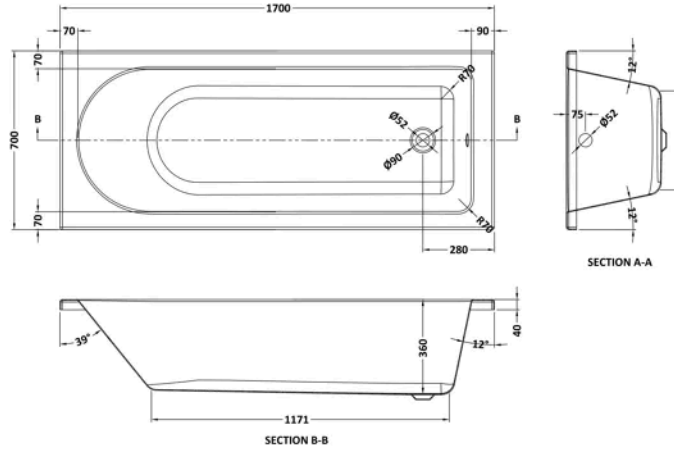
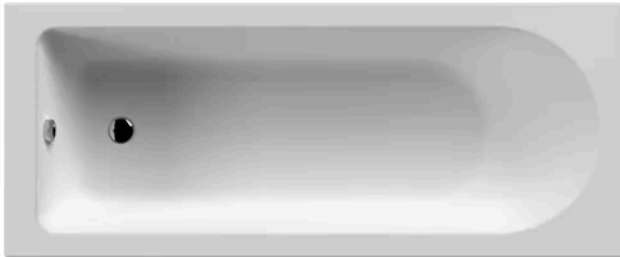
Volume	150 Litre
Country of Origin	United Kingdom
Product Material	Acrylic Eternalite
Colour/Finish	European White
Style	Contemporary
Adjustment Max	790
Adjustment Min	770
Bath Panel Included	Yes
Displaced Capacity	80 Litre
Embossed	No
Frame Finish	Polished Chrome
Glass Thickness	6 mm
Includes Grips	No
Leg Set Included	Yes
Legs Included	Yes
No. Of Tapholes	No Tapholes
Overflow Included	Yes
Tap Included	No
Waste Included	No

Sales Code: BMON013

Barcode: 5055369060931

Brand: nuie

Description: nuie Eternalite 1700mm Single Ended Bath With Legs



Product Dimensions

Product	380 x 700 x 1700mm (H x W x L)
Packaged	380 x 700 x 1700mm (H x W x D)
Nett Weight	24 kg
Packaged Weight	24 kg

Packaging Details

Label Size (mm)	50 x 100
Label Colour	White
Label Qty	2.0000

Product Details

Volume	150 Litre
Country of Origin	Egypt
Product Material	Acrylic Eternalite
Colour/Finish	White
Style	Contemporary
Fixings Included	No
Bath Panel Included	No
Ce Certified	Yes
Declaration Of Performance	Yes
Displaced Capacity	80 Litre
Includes Grips	No
Leg Set Included	Yes
Legs Included	Yes
No. Of Tapholes	No Tapholes
Overflow Included	No
Tap Included	No
Waste Included	No

Sales Code: PAN140

Barcode: 5055369060832

Brand: nuie

Description: nuie 1700mm Acrylic Front Bath Panel



Product Dimensions

Product	510 x 1700 x 25mm (H x W x D)
Packaged	510 x 50 x 1710mm (H x W x D)
Nett Weight	2.1 kg
Packaged Weight	2.1 kg

Product Details

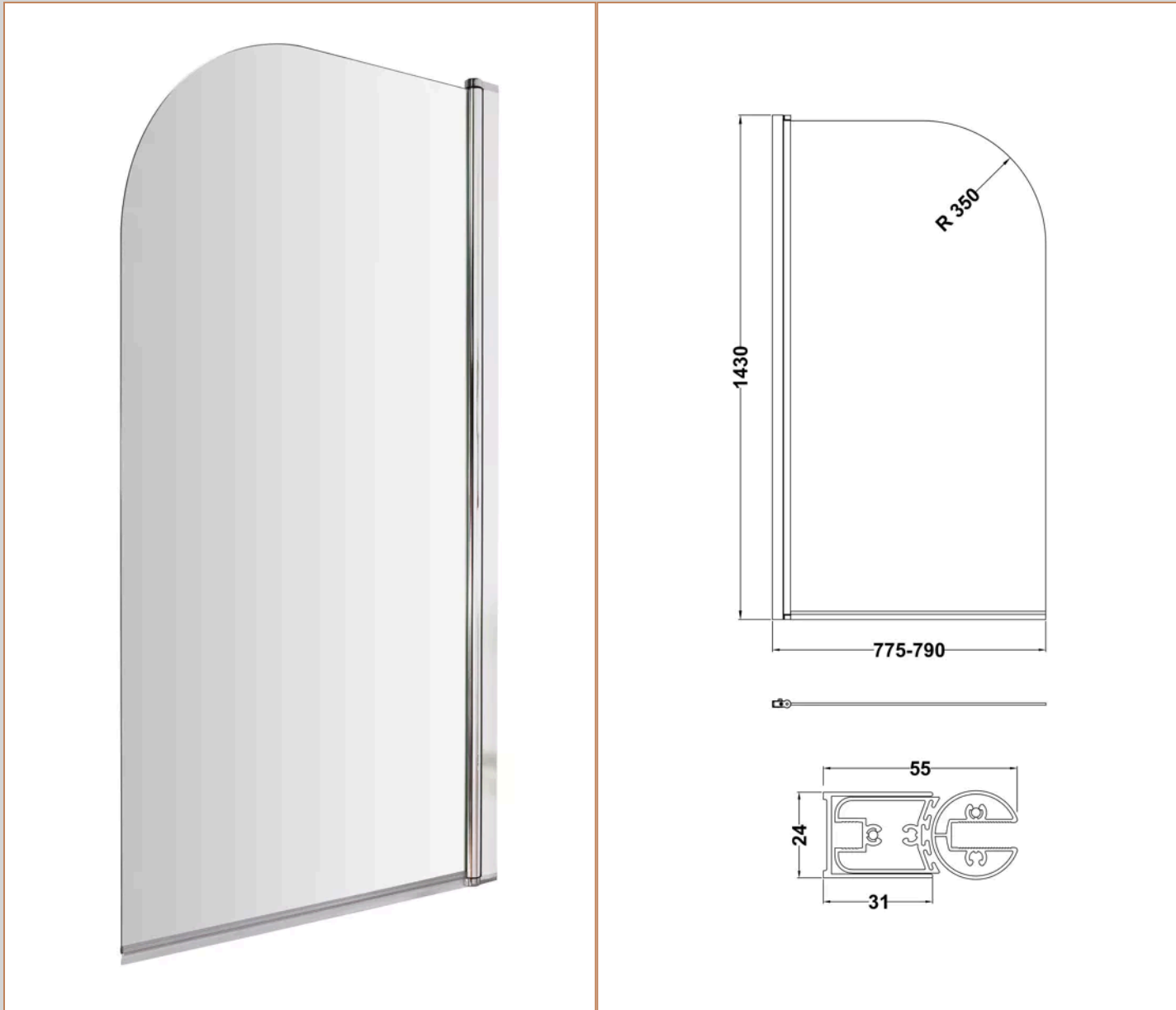
Country of Origin	United Kingdom
Product Material	Acrylic
Colour/Finish	European White
Style	Contemporary
Bath Panel Shape	Straight
Bath Panel Type	Front Panel

Sales Code: NSS1

Barcode: 5055146192664

Brand: nuie

Description: nuie 800mm Chrome Bath Screen



Product Dimensions

Product	1430 x 790 x 24mm (H x W x D)
Packaged	50 x 810 x 1445mm (H x W x D)
Nett Weight	17 kg
Packaged Weight	17.4 kg

Product Details

Country of Origin	China
Product Material	Aluminium
Colour/Finish	Chrome
Style	Contemporary
Fixings Included	Yes
Easy Clean	No
Adjustment Max	790
Adjustment Min	775
Ce Certified	Yes
Declaration Of Performance	Yes
Easy Fit	No
Enclosure Design	Semi-Frameless
Frame Finish	Chrome
Glass Thickness	6 mm
Handles Included	No
Support Bar Included	No
Swing In Dimension	700 mm
Swing Out Dimension	700 mm
Ukca Certified	Yes