

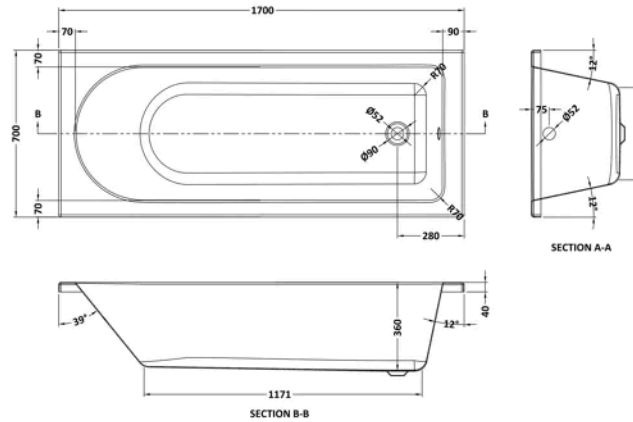
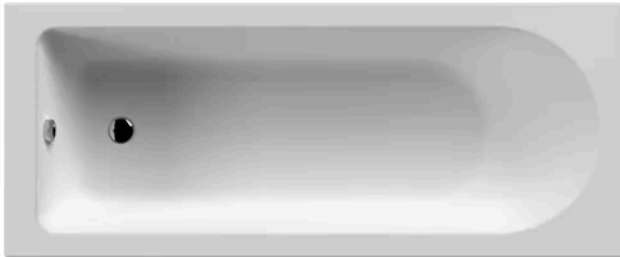


**Sales Code:** NBA609

**Barcode:** 5055369006649

**Brand:** nuie

**Description:** nuie 1700mm Single Ended Bath With Legs



### Product Dimensions

Product	380 x 700 x 1700mm (H x W x L)
Packaged	420 x 700 x 1700mm (H x W x D)
Nett Weight	17 kg
Packaged Weight	17 kg

### Packaging Details

Label Size (mm)	50 x 100
Label Colour	White
Label Qty	2.0000

### Product Details

Volume	180 Litre
Country of Origin	Egypt
Product Material	Acrylic
Colour/Finish	European White
Style	Contemporary
Bath Panel Included	No
Ce Certified	Yes
Displaced Capacity	110 Litre
Includes Grips	No
Leg Set Included	Yes
Legs Included	Yes
No. Of Tapholes	No Tapholes
Overflow Included	Yes
Tap Included	No
Waste Included	No
Waste Size Required	90mm

**Sales Code:** PAN140

**Barcode:** 5055369060832

**Brand:** nuie

**Description:** nuie 1700mm Acrylic Front Bath Panel



### Product Dimensions

Product	510 x 1700 x 25mm (H x W x D)
Packaged	510 x 50 x 1710mm (H x W x D)
Nett Weight	2.1 kg
Packaged Weight	2.1 kg

### Product Details

Country of Origin	United Kingdom
Product Material	Acrylic
Colour/Finish	European White
Style	Contemporary
Bath Panel Shape	Straight
Bath Panel Type	Front Panel

**Sales Code:** NSSQ7

**Barcode:** 5056211873112

**Brand:** nuie

**Description:** 800mm Semi-Frameless Chrome Hinged Bath Screen



**Product Dimensions**

Product	1520 x 830 x 24mm (H x W x D)
Packaged	50 x 835 x 1560mm (H x W x D)
Nett Weight	21.1 kg
Packaged Weight	22.6 kg

**Product Details**

Country of Origin	China
Product Material	Aluminium
Colour/Finish	Chrome
Style	Traditional
Easy Clean	No
Adjustment Max	830
Adjustment Min	815
Ce Certified	Yes
Declaration Of Performance	No
Easy Fit	No
Enclosure Design	Semi-Frameless
Frame Finish	Chrome
Glass Thickness	8 mm
Handles Included	No
Support Bar Included	No
Ukca Certified	Yes