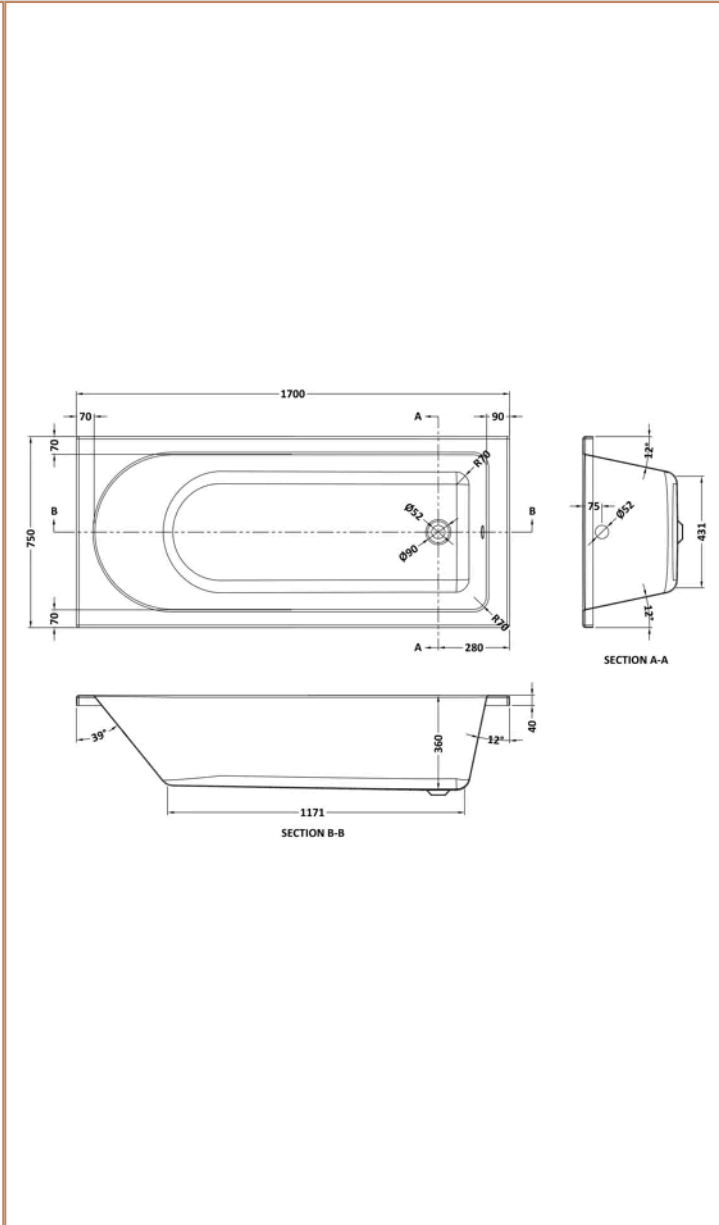


Sales Code:
BAZSE016

Barcode: 5056678407721

Brand: nuie

Description: nuie 1700 x 750mm White Round Single Ended Bath, Bath Screen, Front Panel And Leg Set



Product Dimensions

| | |
|-----------------|--------------------------------|
| Product | 355 x 750 x 1700mm (H x W x L) |
| Nett Weight | 0.01 kg |
| Packaged Weight | 0.01 kg |

Product Details

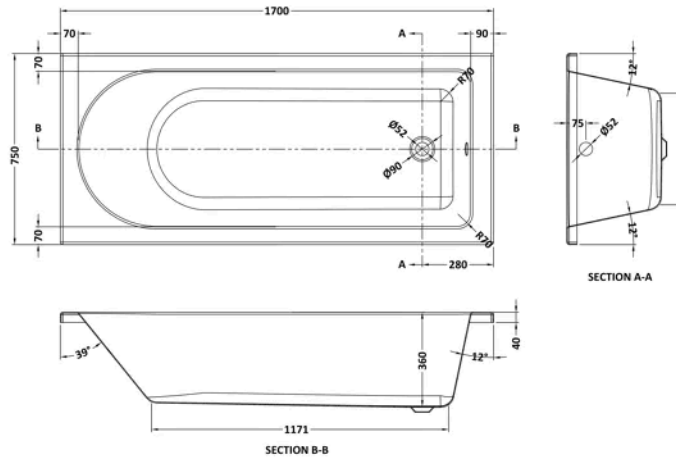
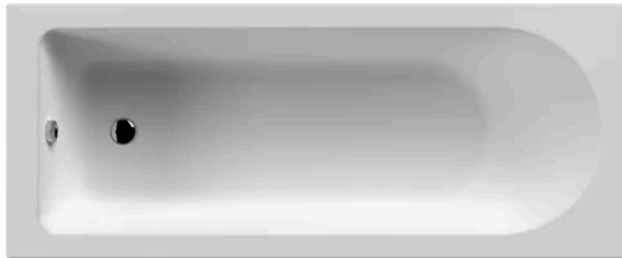
| | |
|---------------------|-----------------|
| Volume | 166 Litre |
| Country of Origin | Egypt |
| Product Material | Acrylic |
| Colour/Finish | White |
| Style | Contemporary |
| Adjustment Max | 830 |
| Adjustment Min | 815 |
| Bath Panel Included | Yes |
| Displaced Capacity | 96 Litre |
| Embossed | No |
| Frame Finish | Polished Chrome |
| Glass Thickness | 8 mm |
| Includes Grips | No |
| Leg Set Included | Yes |
| Legs Included | Yes |
| Overflow Included | Yes |
| Tap Included | No |
| Waste Included | No |

Sales Code: NBA610

Barcode: 5055369060108

Brand: nuie

Description: nuie 1700mm Single Ended Bath With Legs



Product Dimensions

| | |
|-----------------|--------------------------------|
| Product | 360 x 750 x 1700mm (H x W x L) |
| Packaged | 400 x 760 x 1700mm (H x W x D) |
| Nett Weight | 20 kg |
| Packaged Weight | 20 kg |

Packaging Details

| | |
|-----------------|----------|
| Label Size (mm) | 50 x 100 |
| Label Colour | White |
| Label Qty | 2.0000 |

Product Details

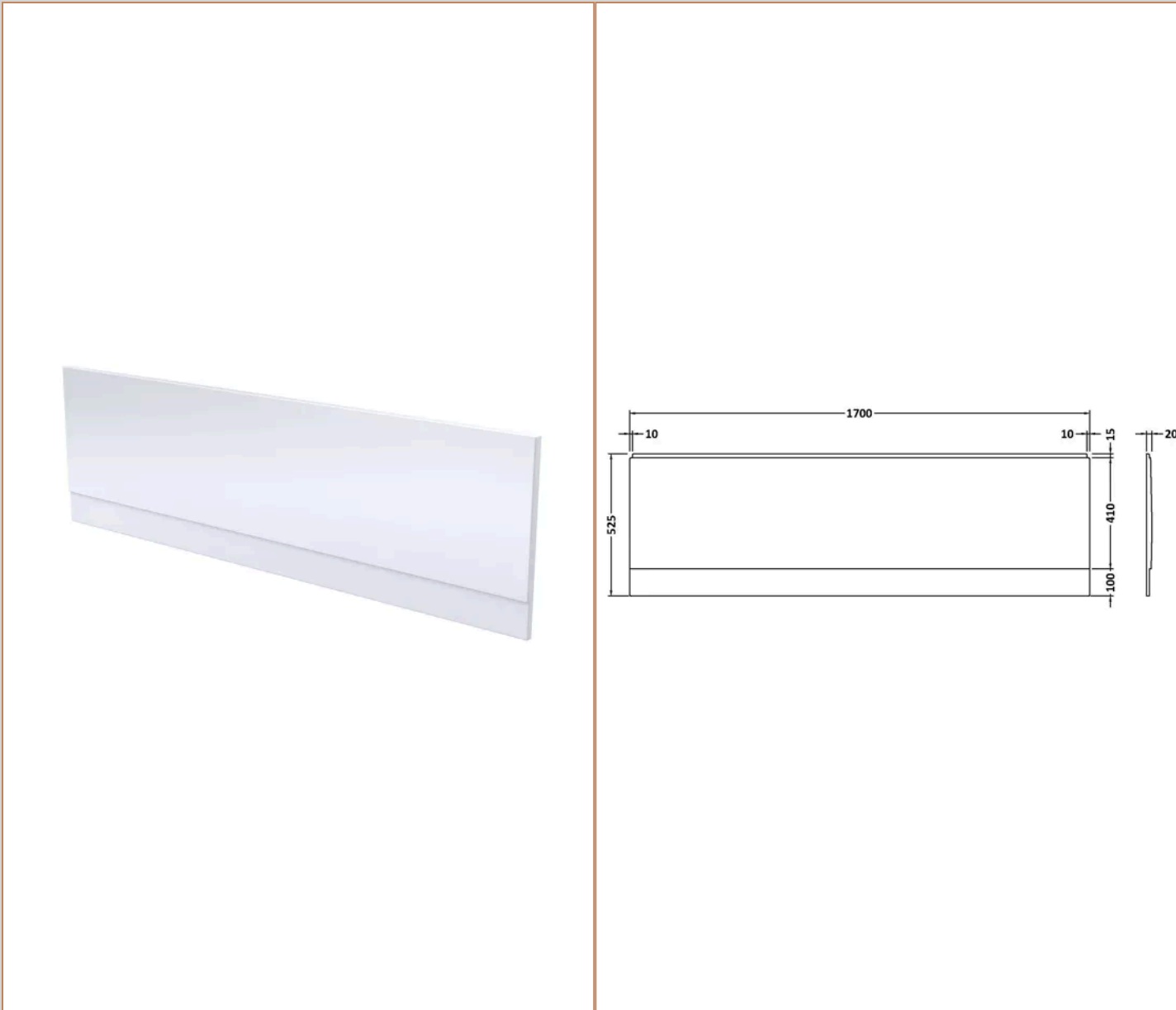
| | |
|---------------------|----------------|
| Volume | 180 Litre |
| Country of Origin | Egypt |
| Product Material | Acrylic |
| Colour/Finish | European White |
| Style | Contemporary |
| Bath Panel Included | No |
| Ce Certified | Yes |
| Displaced Capacity | 88 Litre |
| Includes Grips | No |
| Leg Set Included | Yes |
| Legs Included | Yes |
| No. Of Tapholes | No Tapholes |
| Overflow Included | Yes |
| Tap Included | No |
| Waste Included | No |
| Waste Size Required | 90mm |

Sales Code: PAN140

Barcode: 5055369060832

Brand: nuie

Description: nuie 1700mm Acrylic Front Bath Panel



Product Dimensions

| | |
|-----------------|-------------------------------|
| Product | 510 x 1700 x 25mm (H x W x D) |
| Packaged | 510 x 50 x 1710mm (H x W x D) |
| Nett Weight | 2.1 kg |
| Packaged Weight | 2.1 kg |

Product Details

| | |
|-------------------|----------------|
| Country of Origin | United Kingdom |
| Product Material | Acrylic |
| Colour/Finish | European White |
| Style | Contemporary |
| Bath Panel Shape | Straight |
| Bath Panel Type | Front Panel |

Sales Code: NSSQ7

Barcode: 5056211873112

Brand: nuie

Description: 800mm Semi-Frameless Chrome Hinged Bath Screen



Product Dimensions

| | |
|-----------------|-------------------------------|
| Product | 1520 x 830 x 24mm (H x W x D) |
| Packaged | 50 x 835 x 1560mm (H x W x D) |
| Nett Weight | 21.1 kg |
| Packaged Weight | 22.6 kg |

Product Details

| | |
|----------------------------|----------------|
| Country of Origin | China |
| Product Material | Aluminium |
| Colour/Finish | Chrome |
| Style | Traditional |
| Easy Clean | No |
| Adjustment Max | 830 |
| Adjustment Min | 815 |
| Ce Certified | Yes |
| Declaration Of Performance | No |
| Easy Fit | No |
| Enclosure Design | Semi-Frameless |
| Frame Finish | Chrome |
| Glass Thickness | 8 mm |
| Handles Included | No |
| Support Bar Included | No |
| Ukca Certified | Yes |