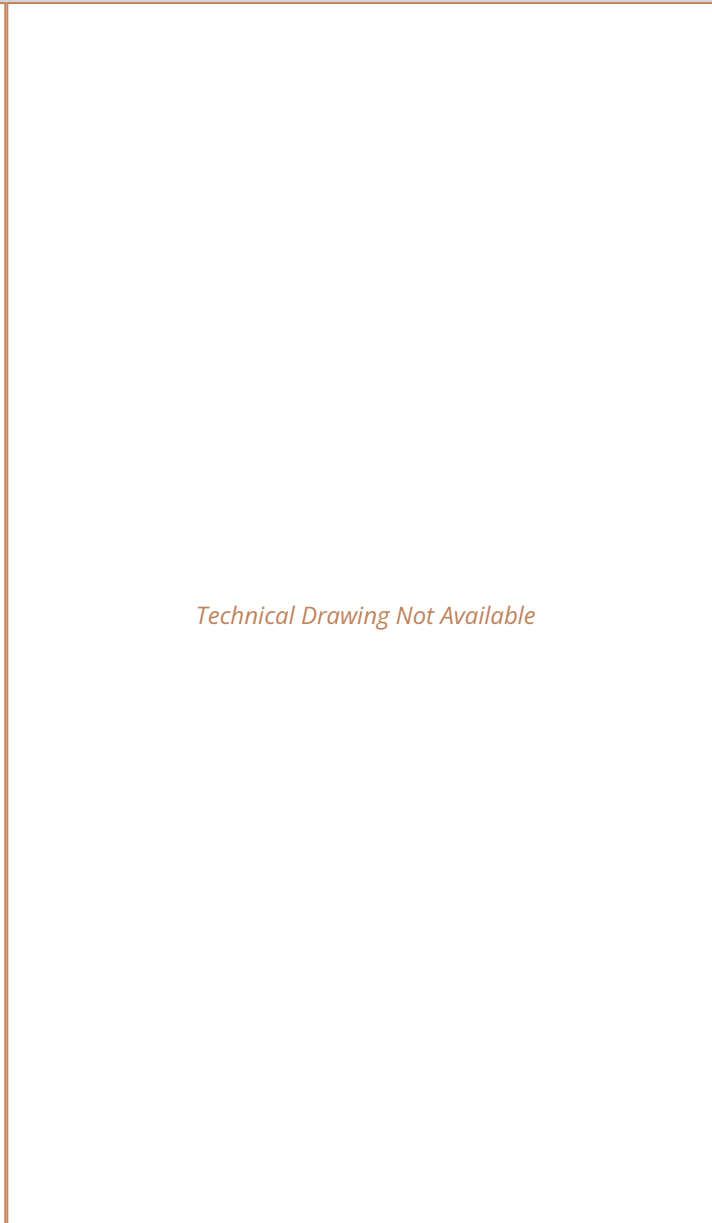


Sales Code: SBR17MV2

Barcode: 5056462601700

Brand: nuie

Description: nuie Chrome Twin Round Concealed Shower Kit With Fixed Head & Handset



Product Dimensions

Product	595 x 168 x 71mm (H x W x D)
Nett Weight	0.1 kg
Packaged Weight	0.1 kg

Product Details

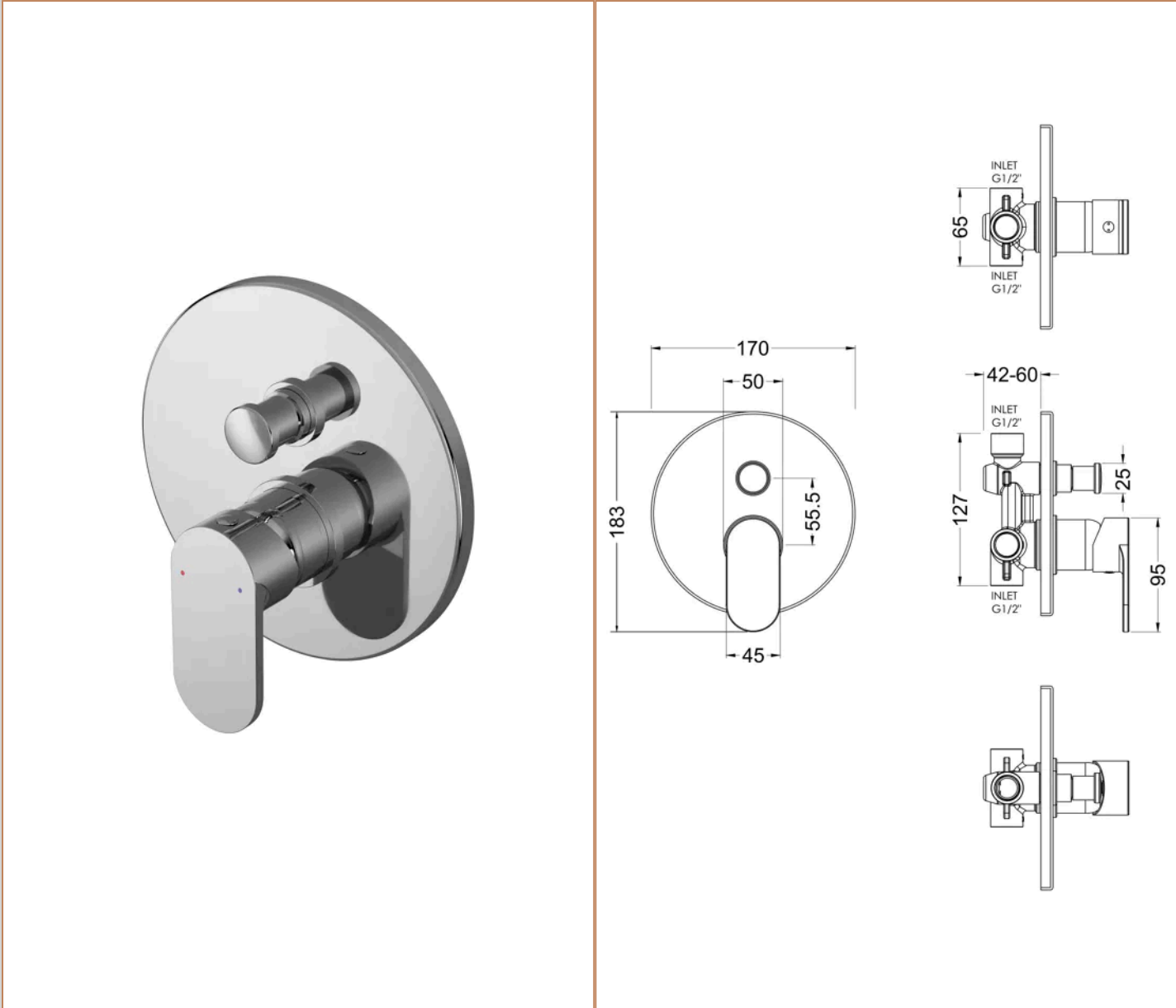
Country of Origin	China
Product Material	Brass Abs
Control Type	Manual
WRAS Approved	Yes
Valve/Cartridge Type	1/4 Turn
Colour/Finish	Chrome
Style	Contemporary
TMV2 Approved	Yes
Min Operating Pressure	0.5 Bar
Minimum Operation Pressure	1 Bar
No. Of Body Jets	0.0000
Tmv2 Approval Number	2603035
Valve / Cartridge Type	1/4 Turn
Wras Approval No	250602040

Sales Code: BINMV12

Barcode: 5056211899044

Brand: nuie

Description: nuie Binsey Chrome Dual Manual Shower Valve With Diverter



Product Dimensions

Product	170 x 170 x 110mm (H x W x D)
Packaged	150 x 205 x 170mm (H x W x D)
Outer Box	490 x 470 x 400mm (H x W x D)
Nett Weight	1.12 kg
Packaged Weight	1.12 kg

Packaging Details

Label Size (mm)	50 x 100
Label Colour	White
Label Qty	1.0000

Product Details

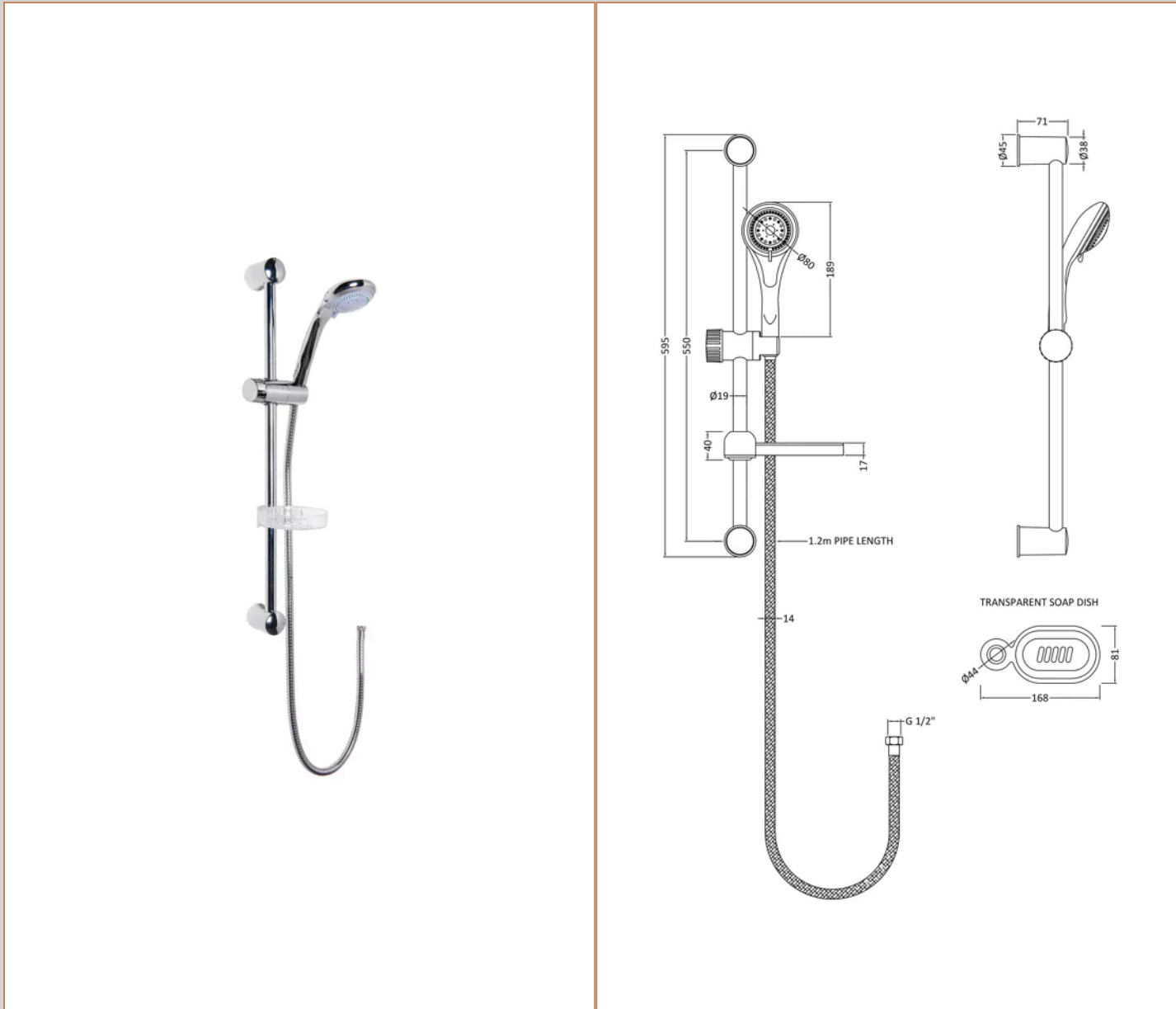
Country of Origin	China
Product Material	Brass Abs
Control Type	Manual
WRAS Approved	No
Valve/Cartridge Type	Single Lever Cartridge
Colour/Finish	Chrome
Mount Type	Recessed/Wall
Style	Contemporary
Handle Type	Lever/Round
TMV2 Approved	No
TMV3 Approved	No
Handset Included	No
Head Included	No
Min Operating Pressure	0.5 Bar
Minimum Operation Pressure	1 Bar
No. Outlets	2.0000
Outlet Elbow Supplied	No
Valve / Cartridge Type	Single Lever Cartridge

Sales Code: JTY034

Barcode: 5055369034819

Brand: nuie

Description: nuie Chrome Shower Slide Rail Kit



Product Dimensions

Product	595 x 168 x 71mm (H x W x D)
Packaged	70 x 110 x 560mm (H x W x D)
Nett Weight	0.68 kg
Packaged Weight	0.68 kg

Packaging Details

Label Size (mm)	50 x 100
Label Colour	White
Label Qty	2.0000

Product Details

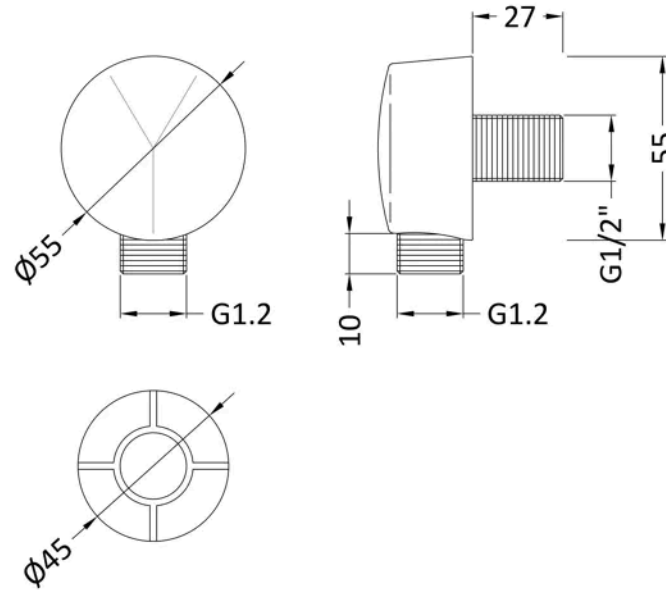
Country of Origin	China
Product Material	Brass Abs
Control Type	Not Applicable
WRAS Approved	No
Colour/Finish	Chrome
Mount Type	Surface/Wall
Style	Contemporary
Easy Clean	Yes
TMV2 Approved	No
TMV3 Approved	No
Handset Included	Yes
Head Included	No
Hose Included	Yes
Hose Length	1500 mm
Min Operating Pressure	0.1 Bar
Minimum Operation Pressure	0 Bar
No. Outlets	1.0000
Outlet Elbow Supplied	No

Sales Code: A3203

Barcode: 5055146110200

Brand: nuie

Description: Chrome Outlet Elbow



Product Dimensions

Product	53 x 53 x 26mm (H x W x D)
Packaged	55 x 55 x 80mm (H x W x D)
Outer Box	250 x 300 x 420mm (H x W x D)
Nett Weight	0.2 kg
Packaged Weight	0.2 kg

Packaging Details

Label Size (mm)	50 x 100
Label Colour	White
Label Qty	2.0000

Product Details

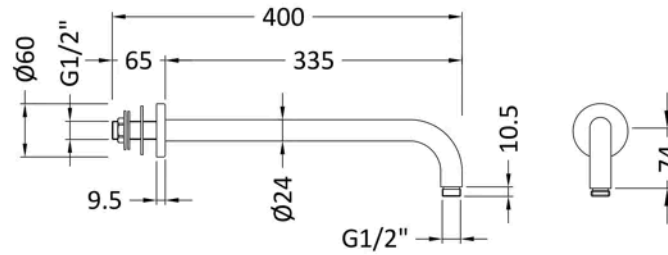
Country of Origin	China
Product Material	Abs
Colour/Finish	Chrome
Style	Contemporary

Sales Code: ARM01

Barcode: 5055146185604

Brand: nuie

Description: Chrome Wall-Mounted Shower Arm



Product Dimensions

Product	104 x 62 x 395mm (H x W x D)
Packaged	420 x 38 x 102mm (H x W x D)
Outer Box	385 x 220 x 430mm (H x W x D)
Nett Weight	0.32 kg
Packaged Weight	0.5 kg

Packaging Details

Label Size (mm)	50 x 100
Label Colour	White
Label Qty	2.0000

Product Details

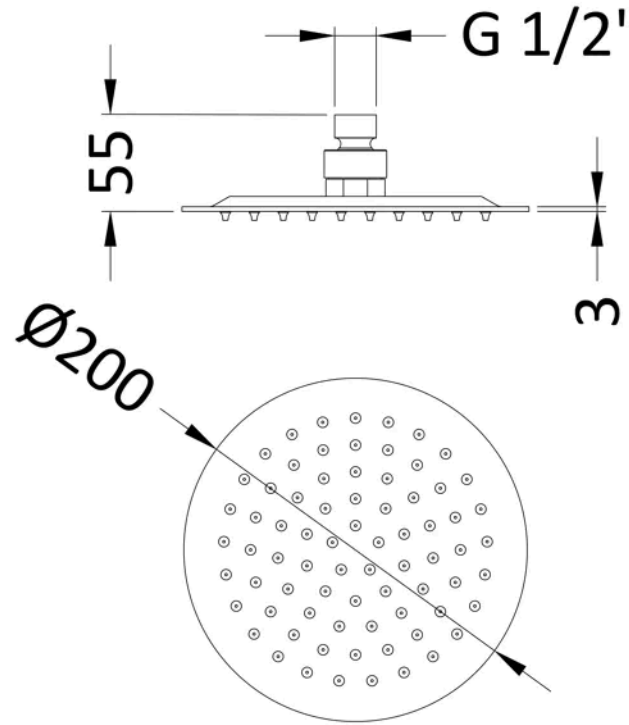
Country of Origin	China
Product Material	Brass
Colour/Finish	Chrome
Style	Contemporary

Sales Code: A3082

Barcode: 5055146179887

Brand: nuie

Description: Chrome Fixed Shower Head



Product Dimensions

Product	56 x 200 x 200mm (H x W x D)
Packaged	210 x 100 x 210mm (H x W x D)
Outer Box	430 x 500 x 230mm (H x W x D)
Nett Weight	0.92 kg
Packaged Weight	0.92 kg

Packaging Details

Label Size (mm)	50 x 100
Label Colour	White
Label Qty	2.0000

Product Details

Country of Origin	China
Product Material	Stainless Steel
Control Type	Not Applicable
WRAS Approved	No
Colour/Finish	Chrome
Mount Type	Surface/Wall
Style	Contemporary
TMV2 Approved	No
TMV3 Approved	No
Handset Included	No
Head Included	Yes
Min Operating Pressure	0.5 Bar
Minimum Operation Pressure	1 Bar
No. Outlets	1.0000
Outlet Elbow Supplied	No