

**Sales Code:** SBR89BV1

**Barcode:** 5056462602424

**Brand:** nuie

**Description:** nuie Chrome Exposed Shower Kit With Valve



*Technical Drawing Not Available*

**Product Dimensions**

Product	740 x 96mm (H x W)
Nett Weight	0.1 kg
Packaged Weight	0.1 kg

**Product Details**

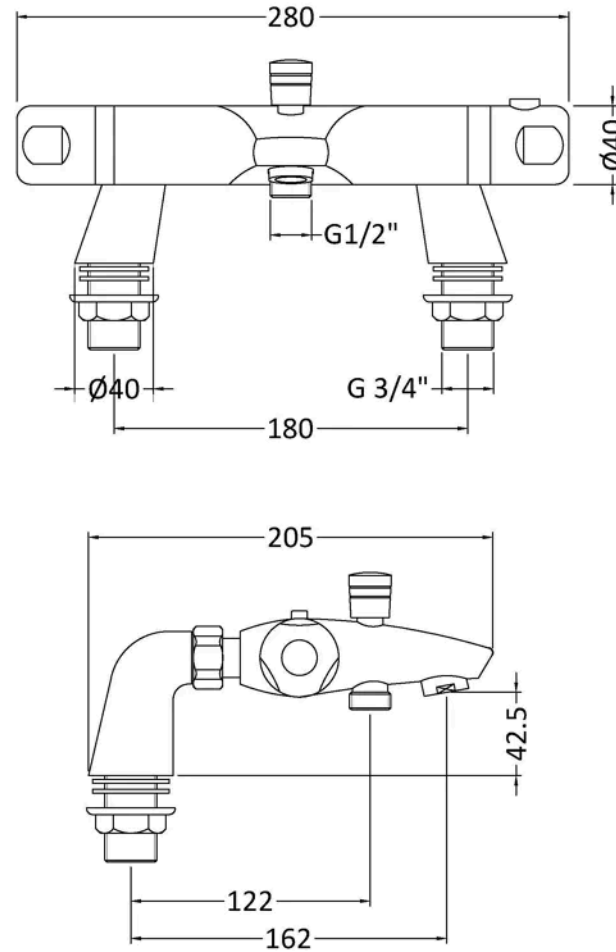
Country of Origin	China
Product Material	Brass Abs
Control Type	Manual
Valve/Cartridge Type	1/4 Turn
Colour/Finish	Chrome
Style	Contemporary
Min Operating Pressure	1 Bar
Minimum Operation Pressure	1 Bar
No. Of Body Jets	0.0000
Valve / Cartridge Type	1/4 Turn

**Sales Code:** CD324

**Barcode:** 5055146130581

**Brand:** nuie

**Description:** nuie Chrome Bath Shower Mixer



### Product Dimensions

Product	40 x 288 x 195mm (H x W x D)
Packaged	85 x 180 x 405mm (H x W x D)
Outer Box	340 x 300 x 420mm (H x W x D)
Nett Weight	1.8 kg
Packaged Weight	2 kg

### Packaging Details

Label Size (mm)	50 x 100
Label Colour	White
Label Qty	2.0000

### Product Details

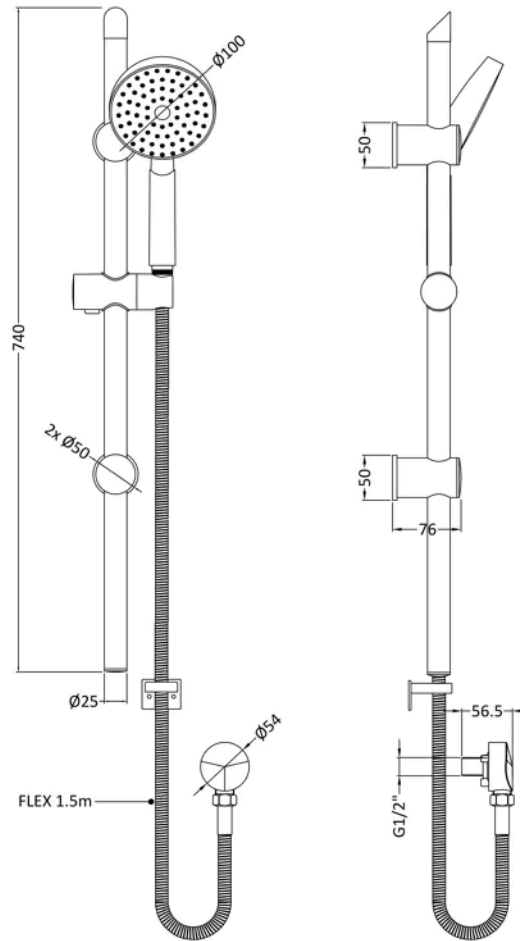
Country of Origin	China
Product Material	Brass, Brass Abs
Control Type	Manual
WRAS Approved	No
Valve/Cartridge Type	1/4 Turn Ceramic Disc
Colour/Finish	Chrome
Mount Type	Deck
Style	Contemporary
Handle Type	Knob
TMV2 Approved	No
TMV3 Approved	No
Pipe Size	22 mm (3/4" BSP)
Pipe Centres	180
Handset Included	No
Hose Included	No
Min Operating Pressure	1 Bar
Minimum Operation Pressure	1 Bar
Tap Spout Height	30 mm
Tap Spout Projection	162 mm
Tap Tails Included	Yes
Valve / Cartridge Type	1/4 Turn Ceramic Disc
Waste Included	No

**Sales Code:** JTY035

**Barcode:** 5055369044313

**Brand:** nuie

**Description:** nuie Chrome Shower Slide Rail Kit



### Product Dimensions

Product	740 x 96 x 76mm (H x W x D)
Packaged	83 x 160 x 790mm (H x W x D)
Outer Box	350 x 1090 x 430mm (H x W x D)
Nett Weight	1.42 kg
Packaged Weight	1.42 kg

### Packaging Details

Label Size (mm)	50 x 100
Label Colour	White
Label Qty	2.0000

### Product Details

Country of Origin	United Kingdom
Product Material	Brass Abs
Control Type	Not Applicable
WRAS Approved	No
Colour/Finish	Chrome
Mount Type	Surface/Wall
Style	Contemporary
Easy Clean	Yes
TMV2 Approved	No
TMV3 Approved	No
Handset Included	Yes
Head Included	No
Hose Included	Yes
Hose Length	1500 mm
Min Operating Pressure	0.5 Bar
Minimum Operation Pressure	1 Bar
No. Outlets	1.0000
Outlet Elbow Supplied	Yes