

Sales Code:
BAZSE064

Barcode: 5056678408209

Brand: nuie

Description: nuie 1700 x 700mm White Straight Single Ended Bath, Bath Screen, Side Panel And Leg Set



Product Dimensions

Product	400 x 700 x 1700mm (H x W x L)
Nett Weight	0.01 kg
Packaged Weight	0.01 kg

Product Details

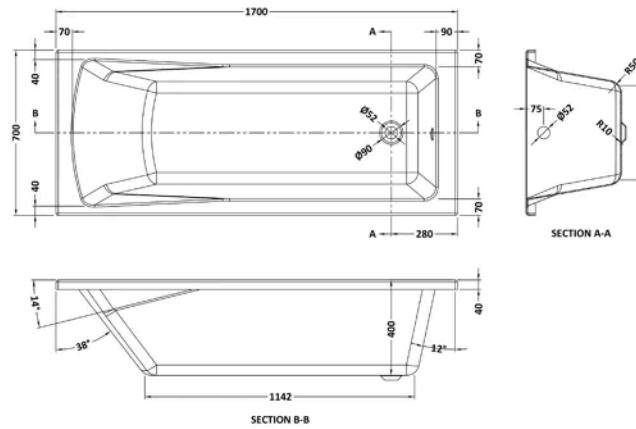
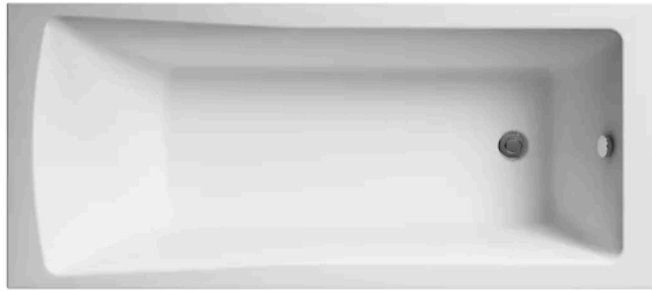
Volume	178 Litre
Country of Origin	Egypt
Product Material	Acrylic,Aluminium
Colour/Finish	White
Style	Contemporary
Fixings Included	No
Adjustment Max	830
Adjustment Min	815
Bath Panel Included	Yes
Displaced Capacity	108 Litre
Embossed	No
Frame Finish	Polished Chrome
Glass Thickness	8 mm
Includes Grips	No
Leg Set Included	Yes
Legs Included	Yes
No. Of Tapholes	No Tapholes
Overflow Included	Yes
Painted Option Available	No
Tap Included	No
Waste Included	No

Sales Code: NBA409

Barcode: 5055369006700

Brand: nuie

Description: nuie 1700mm Square Single Ended Bath With Legs



Product Dimensions

Product	400 x 700 x 1700mm (H x W x L)
Packaged	420 x 700 x 1700mm (H x W x D)
Nett Weight	19.24 kg
Packaged Weight	19.24 kg

Packaging Details

Label Size (mm)	50 x 100
Label Colour	White
Label Qty	2.0000

Product Details

Volume	178 Litre
Country of Origin	Egypt
Product Material	Acrylic
Colour/Finish	European White
Style	Contemporary
Bath Panel Included	No
Ce Certified	Yes
Displaced Capacity	108 Litre
Includes Grips	No
Leg Set Included	Yes
Legs Included	Yes
No. Of Tapholes	No Tapholes
Overflow Included	Yes
Tap Included	No
Waste Included	No
Waste Size Required	90mm

Sales Code: PAN140

Barcode: 5055369060832

Brand: nuie

Description: nuie 1700mm Acrylic Front Bath Panel



Product Dimensions

Product	510 x 1700 x 25mm (H x W x D)
Packaged	510 x 50 x 1710mm (H x W x D)
Nett Weight	2.1 kg
Packaged Weight	2.1 kg

Product Details

Country of Origin	United Kingdom
Product Material	Acrylic
Colour/Finish	European White
Style	Contemporary
Bath Panel Shape	Straight
Bath Panel Type	Front Panel

Sales Code: NSSQ7

Barcode: 5056211873112

Brand: nuie

Description: 800mm Semi-Frameless Chrome Hinged Bath Screen



Product Dimensions

Product	1520 x 830 x 24mm (H x W x D)
Packaged	50 x 835 x 1560mm (H x W x D)
Nett Weight	21.1 kg
Packaged Weight	22.6 kg

Product Details

Country of Origin	China
Product Material	Aluminium
Colour/Finish	Chrome
Style	Traditional
Easy Clean	No
Adjustment Max	830
Adjustment Min	815
Ce Certified	Yes
Declaration Of Performance	No
Easy Fit	No
Enclosure Design	Semi-Frameless
Frame Finish	Chrome
Glass Thickness	8 mm
Handles Included	No
Support Bar Included	No
Ukca Certified	Yes