

Sales Code: SBS95BV1

Barcode: 5056462603537

Brand: nuie

Description: nuie Square Chrome Exposed Bar Valve & Slide Rail Shower Kit



Technical Drawing Not Available

Product Dimensions

Product	685 x 118 x 74mm (H x W x D)
Nett Weight	0.1 kg
Packaged Weight	0.1 kg

Product Details

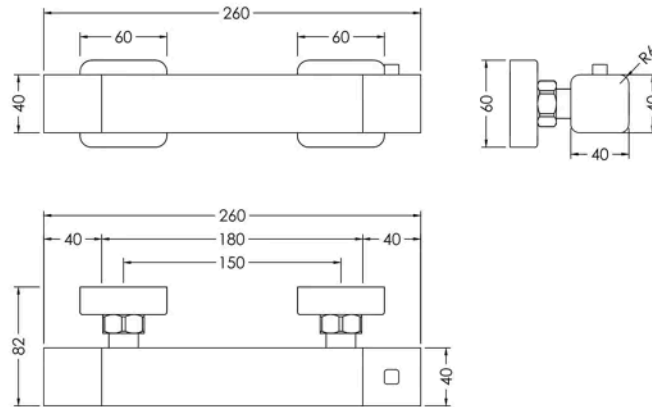
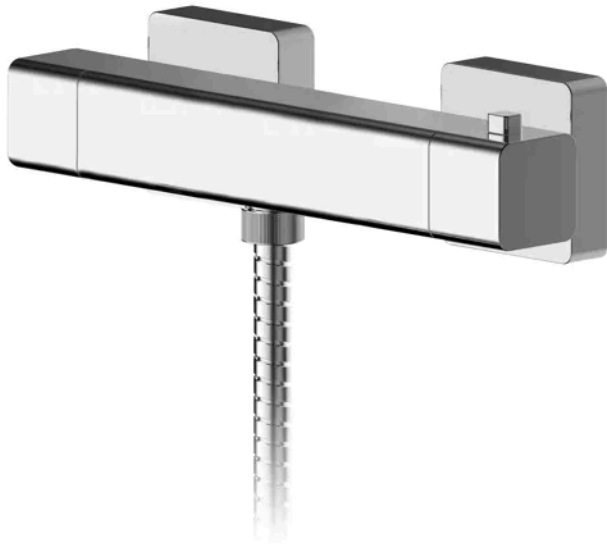
Country of Origin	China
Product Material	Brass Abs
Control Type	Manual
Valve/Cartridge Type	1/4 Turn
Colour/Finish	Chrome
Style	Contemporary
Min Operating Pressure	0.2 Bar
Minimum Operation Pressure	0 Bar
No. Of Body Jets	0.0000
Valve / Cartridge Type	1/4 Turn

Sales Code: WIN503

Barcode: 5056211898375

Brand: nuie

Description: nuie Sanford Chrome Thermostatic Bar Shower Valve



Product Dimensions

Product	55 x 261 x 65mm (H x W x D)
Packaged	80 x 355 x 82mm (H x W x D)
Outer Box	440 x 420 x 360mm (H x W x D)
Nett Weight	1.71 kg
Packaged Weight	1.71 kg

Packaging Details

Label Size (mm)	50 x 100
Label Colour	White
Label Qty	1.0000

Product Details

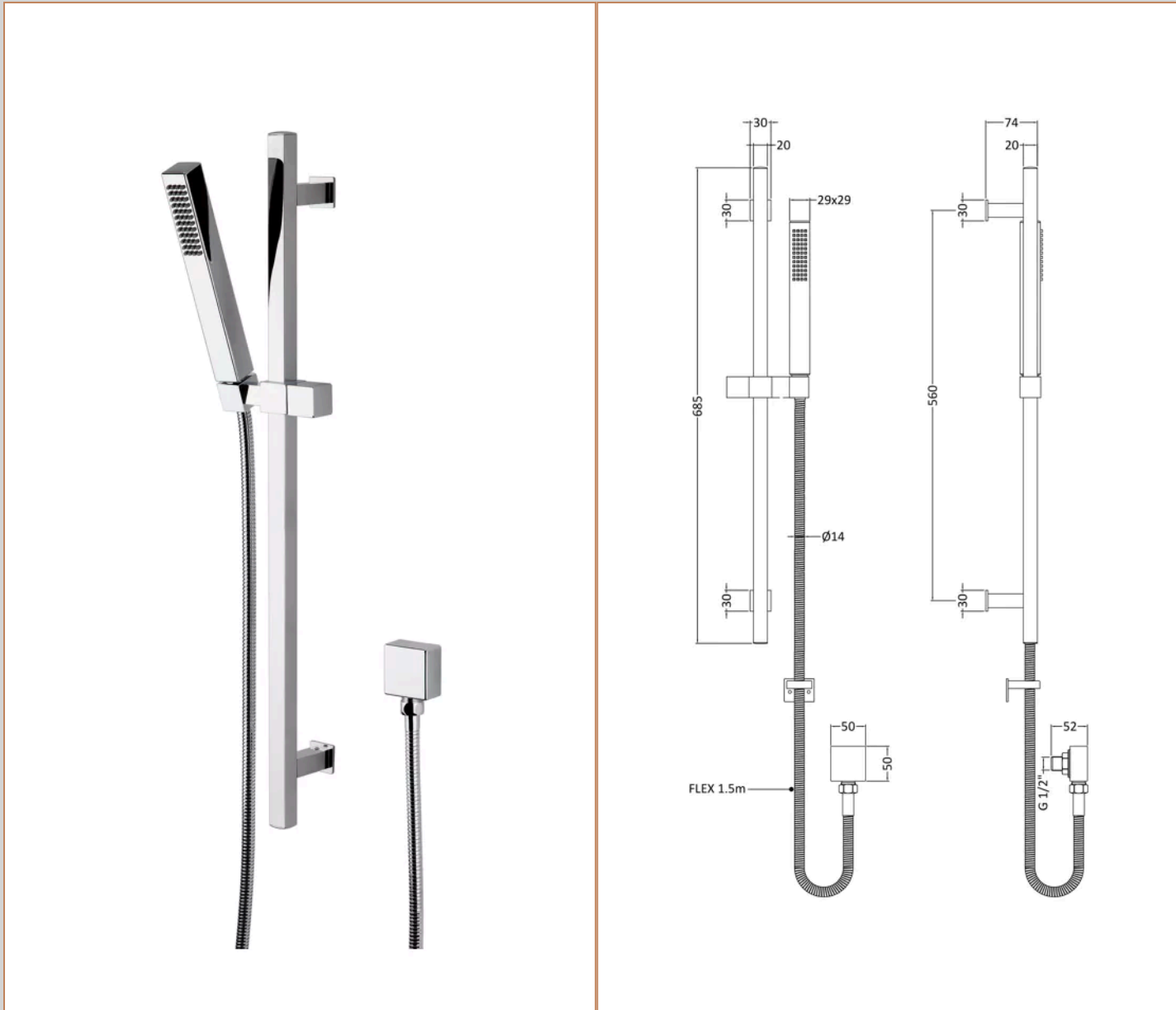
Country of Origin	China
Product Material	Brass Abs
Control Type	Manual
WRAS Approved	No
Valve/Cartridge Type	1/4 Turn
Colour/Finish	Chrome
Mount Type	Wall Hung
Style	Contemporary
Handle Type	Square
TMV2 Approved	No
TMV3 Approved	No
Pipe Centres	150
Handset Included	No
Head Included	No
Hose Included	No
Min Operating Pressure	0.2 Bar
Minimum Operation Pressure	0 Bar
No. Outlets	1.0000
Valve / Cartridge Type	1/4 Turn

Sales Code: A3181

Barcode: 5055146149552

Brand: Hudson Reed

Description: Hudson Reed Chrome Shower Slide Rail Kit Kubix Slide



Product Dimensions

Product	685 x 118 x 74mm (H x W x D)
Packaged	83 x 140 x 700mm (H x W x D)
Nett Weight	1.4 kg
Packaged Weight	1.6 kg

Packaging Details

Label Size (mm)	50 x 100
Label Colour	White
Label Qty	2.0000

Product Details

Country of Origin	China
Product Material	Brass
Control Type	Not Applicable
WRAS Approved	No
Colour/Finish	Chrome
Mount Type	Surface/Wall
Style	Contemporary
Easy Clean	Yes
TMV2 Approved	No
TMV3 Approved	No
Handset Included	Yes
Head Included	No
Hose Included	Yes
Hose Length	1500 mm
Min Operating Pressure	0.1 Bar
Minimum Operation Pressure	0 Bar
No. Outlets	1.0000
Outlet Elbow Supplied	Yes