

Sales Code: BAZSE083

Barcode: 5056678408391

Brand: nuie

Description: nuie 1700 x 700mm European White Straight Shower Bath, Bath Screen And Front Panel



Product Dimensions

Product	400 x 700 x 1700mm (H x W x L)
Nett Weight	0.01 kg
Packaged Weight	0.01 kg

Product Details

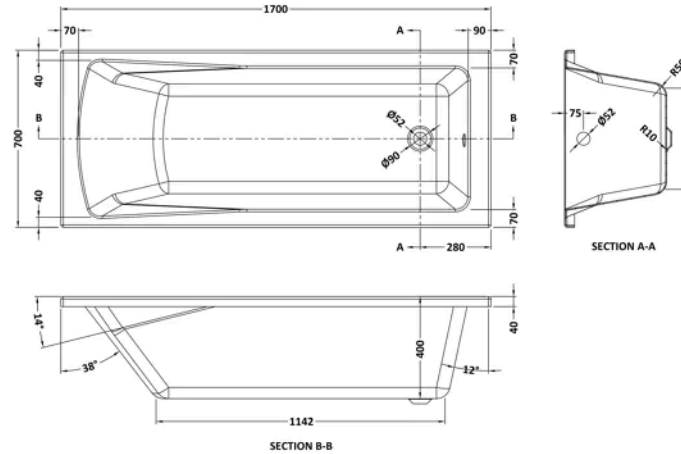
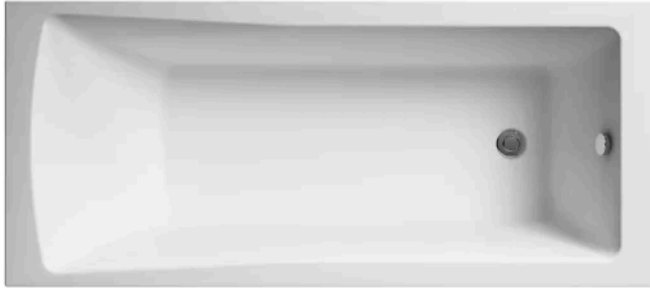
Volume	169 Litre
Country of Origin	United Kingdom
Product Material	Acrylic Eternalite
Colour/Finish	European White
Style	Contemporary
Bath Panel Included	Yes
Displaced Capacity	99 Litre
Embossed	No
Frame Finish	Polished Chrome
Glass Thickness	6 mm
Includes Grips	No
Leg Set Included	Yes
Legs Included	Yes
No. Of Tapholes	No Tapholes
Overflow Included	Yes
Tap Included	No
Waste Included	No

Sales Code: BMON008

Barcode: 5055369024162

Brand: nuie

Description: nuie Eternalite 1700mm Square Single Ended Bath With Legs



Product Dimensions

Product	400 x 700 x 1700mm (H x W x L)
Packaged	1700 x 420 x 700mm (H x W x D)
Nett Weight	32.72 kg
Packaged Weight	32.72 kg

Packaging Details

Label Size (mm)	50 x 100
Label Colour	White
Label Qty	2.0000

Product Details

Volume	169 Litre
Country of Origin	Egypt
Product Material	Acrylic Eternalite
Colour/Finish	White
Style	Contemporary
Fixings Included	No
Bath Panel Included	No
Ce Certified	Yes
Declaration Of Performance	Yes
Displaced Capacity	99 Litre
Includes Grips	No
Leg Set Included	Yes
Legs Included	Yes
No. Of Tapholes	No Tapholes
Overflow Included	No
Tap Included	No
Waste Included	No

Sales Code: PAN140

Barcode: 5055369060832

Brand: nuie

Description: nuie 1700mm Acrylic Front Bath Panel



Product Dimensions

Product	510 x 1700 x 25mm (H x W x D)
Packaged	510 x 50 x 1710mm (H x W x D)
Nett Weight	2.1 kg
Packaged Weight	2.1 kg

Product Details

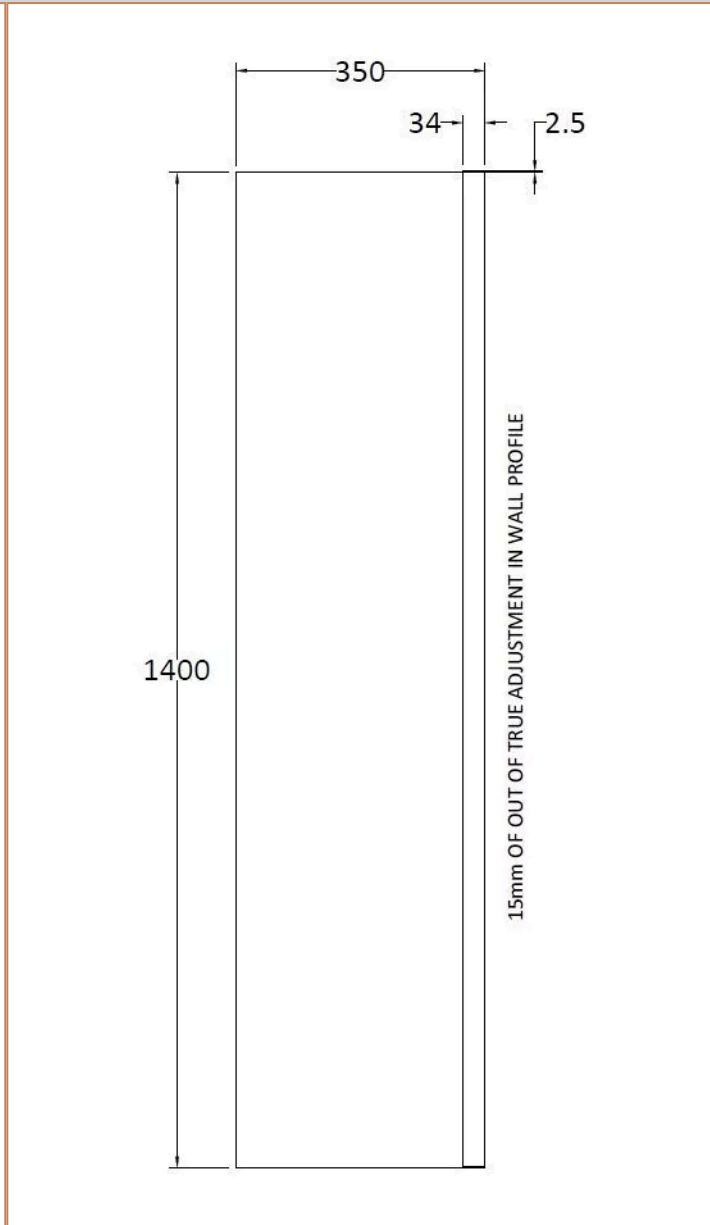
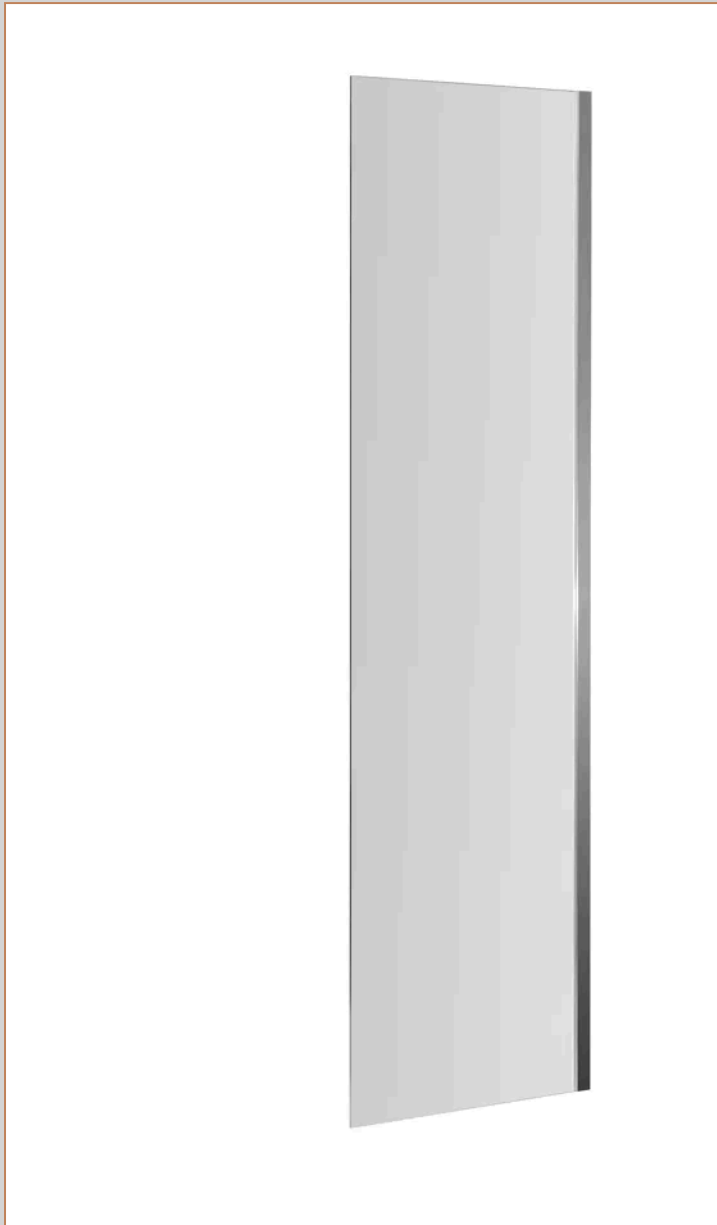
Country of Origin	United Kingdom
Product Material	Acrylic
Colour/Finish	European White
Style	Contemporary
Bath Panel Shape	Straight
Bath Panel Type	Front Panel

Sales Code: NSSF1

Barcode: 5055275897720

Brand: nuie

Description: nuie 350mm Chrome Bath Screen



Product Dimensions

Product	1400 x 350 x 26mm (H x W x D)
Packaged	1440 x 390 x 50mm (H x W x D)
Nett Weight	9 kg
Packaged Weight	9.6 kg

Product Details

Country of Origin	China
Product Material	Aluminium
Colour/Finish	Chrome
Style	Contemporary
Fixings Included	Yes
Easy Clean	No
Adjustment Max	390
Adjustment Min	15
Ce Certified	Yes
Declaration Of Performance	No
Easy Fit	No
Enclosure Design	Semi-Frameless
Frame Finish	Chrome
Glass Thickness	6 mm
Handles Included	No
Support Bar Included	No
Ukca Certified	Yes