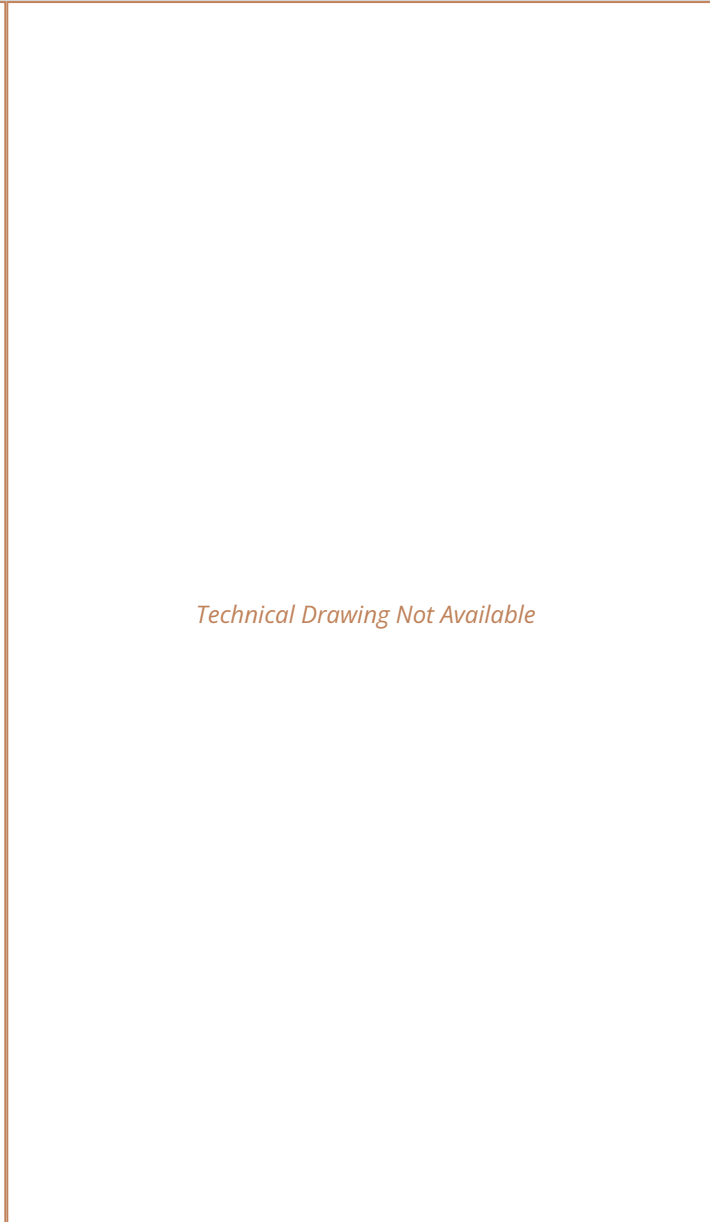


**Sales Code:**  
SBR22TR2

**Barcode:** 5056462601755

**Brand:** nuie

**Description:** nuie Binsey Concealed Chrome Shower Kit With Triple Round Valve, Fixed Head & Handset



**Product Dimensions**

Product	595 x 168 x 71mm (H x W x D)
Nett Weight	0.1 kg
Packaged Weight	0.1 kg

**Product Details**

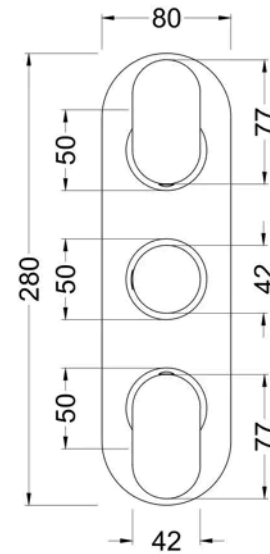
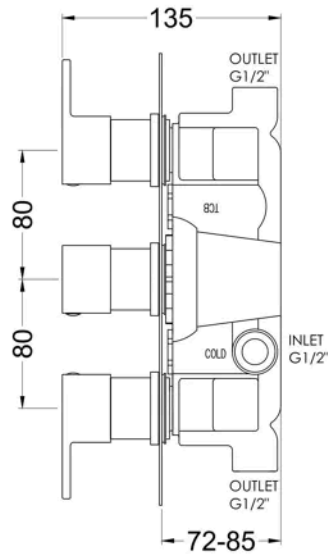
Country of Origin	China
Product Material	Brass Abs
Control Type	Manual
WRAS Approved	Yes
Valve/Cartridge Type	1/4 Turn
Colour/Finish	Chrome
Style	Contemporary
TMV2 Approved	Yes
Min Operating Pressure	0.1 Bar
Minimum Operation Pressure	0 Bar
No. Of Body Jets	0.0000
Tmv2 Approval Number	2603035
Valve / Cartridge Type	1/4 Turn
Wras Approval No	250602040

**Sales Code:** BINTR02

**Barcode:** 5056211898986

**Brand:** nuie

**Description:** nuie Binsey Chrome Triple Thermostatic Shower Valve



**Product Dimensions**

Product	280 x 80 x 136mm (H x W x D)
Packaged	110 x 250 x 320mm (H x W x D)
Outer Box	370 x 520 x 340mm (H x W x D)
Nett Weight	3.45 kg
Packaged Weight	3.45 kg

**Packaging Details**

Label Size (mm)	50 x 100
Label Colour	White
Label Qty	1.0000

**Product Details**

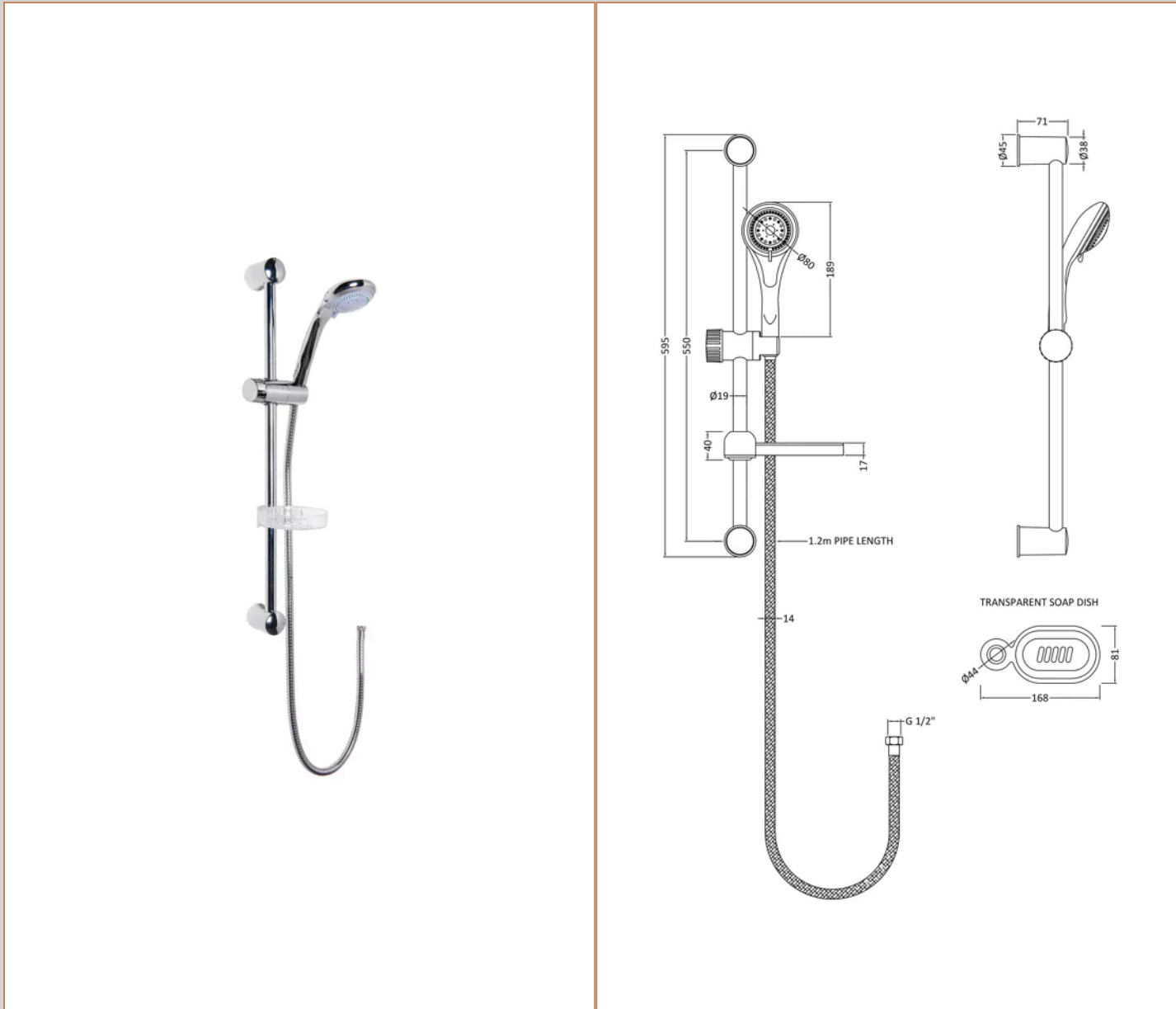
Country of Origin	China
Product Material	Brass Abs
Control Type	Manual
WRAS Approved	Yes
Valve/Cartridge Type	1/4 Turn
Colour/Finish	Chrome
Mount Type	Recessed/Wall
Style	Contemporary
Handle Type	Lever/Round
TMV2 Approved	Yes
TMV3 Approved	No
Pipe Size	15 mm & 22 mm
Handset Included	No
Head Included	No
Min Operating Pressure	0.1 Bar
Minimum Operation Pressure	0 Bar
No. Outlets	2.0000
Outlet Elbow Supplied	No
Tmv2 Approval Number	2603035
Valve / Cartridge Type	1/4 Turn
Wras Approval No	250602040

**Sales Code:** JTY034

**Barcode:** 5055369034819

**Brand:** nuie

**Description:** nuie Chrome Shower Slide Rail Kit



**Product Dimensions**

Product	595 x 168 x 71mm (H x W x D)
Packaged	70 x 110 x 560mm (H x W x D)
Nett Weight	0.68 kg
Packaged Weight	0.68 kg

**Packaging Details**

Label Size (mm)	50 x 100
Label Colour	White
Label Qty	2.0000

**Product Details**

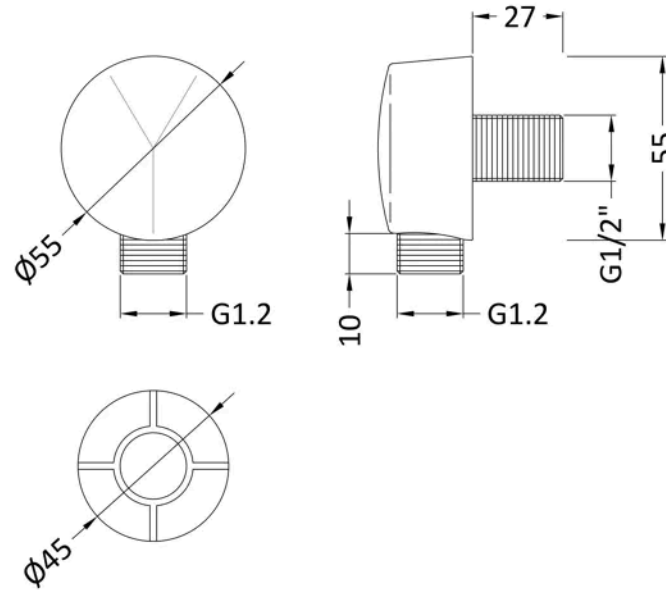
Country of Origin	China
Product Material	Brass Abs
Control Type	Not Applicable
WRAS Approved	No
Colour/Finish	Chrome
Mount Type	Surface/Wall
Style	Contemporary
Easy Clean	Yes
TMV2 Approved	No
TMV3 Approved	No
Handset Included	Yes
Head Included	No
Hose Included	Yes
Hose Length	1500 mm
Min Operating Pressure	0.1 Bar
Minimum Operation Pressure	0 Bar
No. Outlets	1.0000
Outlet Elbow Supplied	No

**Sales Code:** A3203

**Barcode:** 5055146110200

**Brand:** nuie

**Description:** Chrome Outlet Elbow



### Product Dimensions

Product	53 x 53 x 26mm (H x W x D)
Packaged	55 x 55 x 80mm (H x W x D)
Outer Box	250 x 300 x 420mm (H x W x D)
Nett Weight	0.2 kg
Packaged Weight	0.2 kg

### Packaging Details

Label Size (mm)	50 x 100
Label Colour	White
Label Qty	2.0000

### Product Details

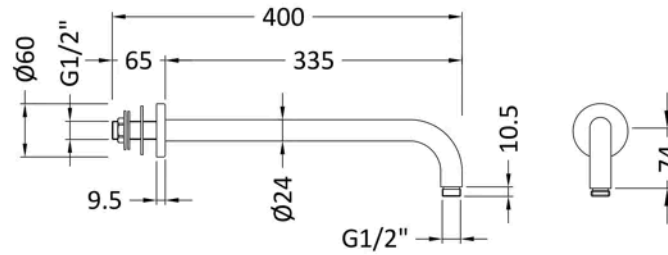
Country of Origin	China
Product Material	Abs
Colour/Finish	Chrome
Style	Contemporary

**Sales Code:** ARM01

**Barcode:** 5055146185604

**Brand:** nuie

**Description:** Chrome Wall-Mounted Shower Arm



**Product Dimensions**

Product	104 x 62 x 395mm (H x W x D)
Packaged	420 x 38 x 102mm (H x W x D)
Outer Box	385 x 220 x 430mm (H x W x D)
Nett Weight	0.32 kg
Packaged Weight	0.5 kg

**Packaging Details**

Label Size (mm)	50 x 100
Label Colour	White
Label Qty	2.0000

**Product Details**

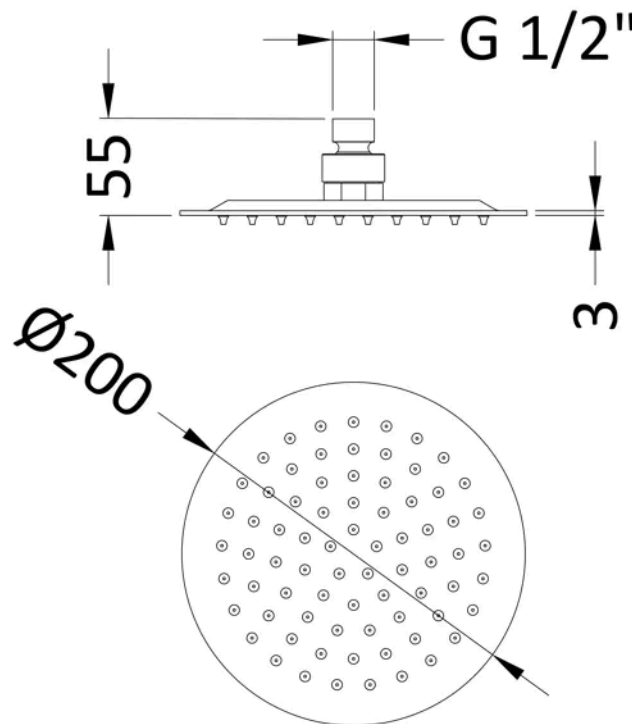
Country of Origin	China
Product Material	Brass
Colour/Finish	Chrome
Style	Contemporary

**Sales Code:** A3082

**Barcode:** 5055146179887

**Brand:** nuie

**Description:** Chrome Fixed Shower Head



### Product Dimensions

Product	56 x 200 x 200mm (H x W x D)
Packaged	210 x 100 x 210mm (H x W x D)
Outer Box	430 x 500 x 230mm (H x W x D)
Nett Weight	0.92 kg
Packaged Weight	0.92 kg

### Packaging Details

Label Size (mm)	50 x 100
Label Colour	White
Label Qty	2.0000

### Product Details

Country of Origin	China
Product Material	Stainless Steel
Control Type	Not Applicable
WRAS Approved	No
Colour/Finish	Chrome
Mount Type	Surface/Wall
Style	Contemporary
TMV2 Approved	No
TMV3 Approved	No
Handset Included	No
Head Included	Yes
Min Operating Pressure	0.5 Bar
Minimum Operation Pressure	1 Bar
No. Outlets	1.0000
Outlet Elbow Supplied	No