

Sales Code: SBS109BV2

Barcode: 5056462603674

Brand: nuie

Description: nuie Square Chrome Bath Shower Mixer & Slide Rail Kit



Product Dimensions

Product	685 x 118 x 74mm (H x W x D)
Nett Weight	0.1 kg
Packaged Weight	0.1 kg

Product Details

Country of Origin	China
Product Material	Brass Abs
Control Type	Manual
Valve/Cartridge Type	1/4 Turn
Colour/Finish	Chrome
Style	Contemporary
Min Operating Pressure	3 Bar
Minimum Operation Pressure	3 Bar
No. Of Body Jets	0.0000
Valve / Cartridge Type	1/4 Turn

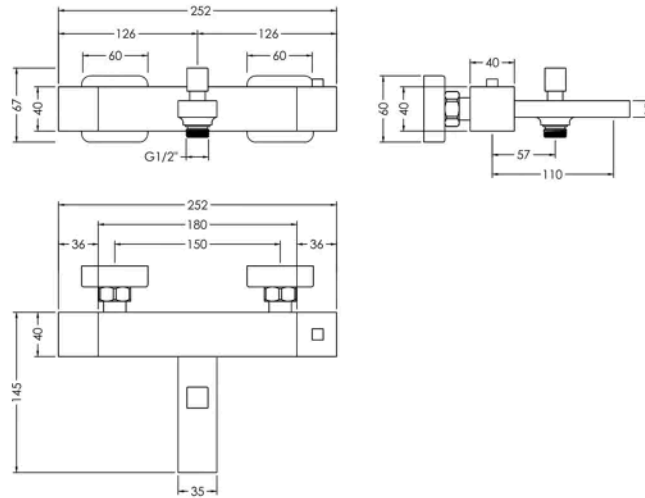
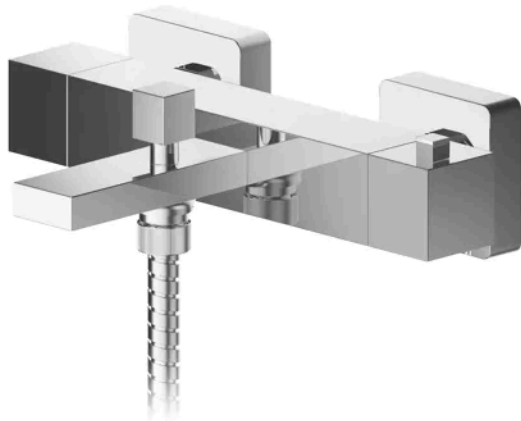
Technical Drawing Not Available

Sales Code: SAN005

Barcode: 5056211898047

Brand: nuie

Description: Sanford Wall Mounted Thermostatic Bath Shower Mixer



Product Dimensions

Product	40 x 252 x 145mm (H x W x D)
Packaged	155 x 220 x 335mm (H x W x D)
Outer Box	500 x 450 x 350mm (H x W x D)
Nett Weight	2.3 kg
Packaged Weight	2.3 kg

Packaging Details

Label Size (mm)	50 x 100
Label Colour	White
Label Qty	1.0000

Product Details

Country of Origin	China
Product Material	Brass
Control Type	Manual
WRAS Approved	No
Valve/Cartridge Type	1/4 Turn Ceramic Disc
Colour/Finish	Chrome
Mount Type	Wall Hung
Style	Contemporary
Handle Type	Square
TMV2 Approved	No
TMV3 Approved	No
Pipe Size	3/4"
Pipe Centres	150
Handset Included	No
Hose Included	No
Min Operating Pressure	3 Bar
Minimum Operation Pressure	3 Bar
Tap Spout Projection	110 mm
Tap Tails Included	Yes
Valve / Cartridge Type	1/4 Turn Ceramic Disc
Waste Included	No

Sales Code: A3181

Barcode: 5055146149552

Brand: Hudson Reed

Description: Hudson Reed Chrome Shower Slide Rail Kit Kubix Slide



Product Dimensions

Product	685 x 118 x 74mm (H x W x D)
Packaged	83 x 140 x 700mm (H x W x D)
Nett Weight	1.4 kg
Packaged Weight	1.6 kg

Packaging Details

Label Size (mm)	50 x 100
Label Colour	White
Label Qty	2.0000

Product Details

Country of Origin	China
Product Material	Brass
Control Type	Not Applicable
WRAS Approved	No
Colour/Finish	Chrome
Mount Type	Surface/Wall
Style	Contemporary
Easy Clean	Yes
TMV2 Approved	No
TMV3 Approved	No
Handset Included	Yes
Head Included	No
Hose Included	Yes
Hose Length	1500 mm
Min Operating Pressure	0.1 Bar
Minimum Operation Pressure	0 Bar
No. Outlets	1.0000
Outlet Elbow Supplied	Yes