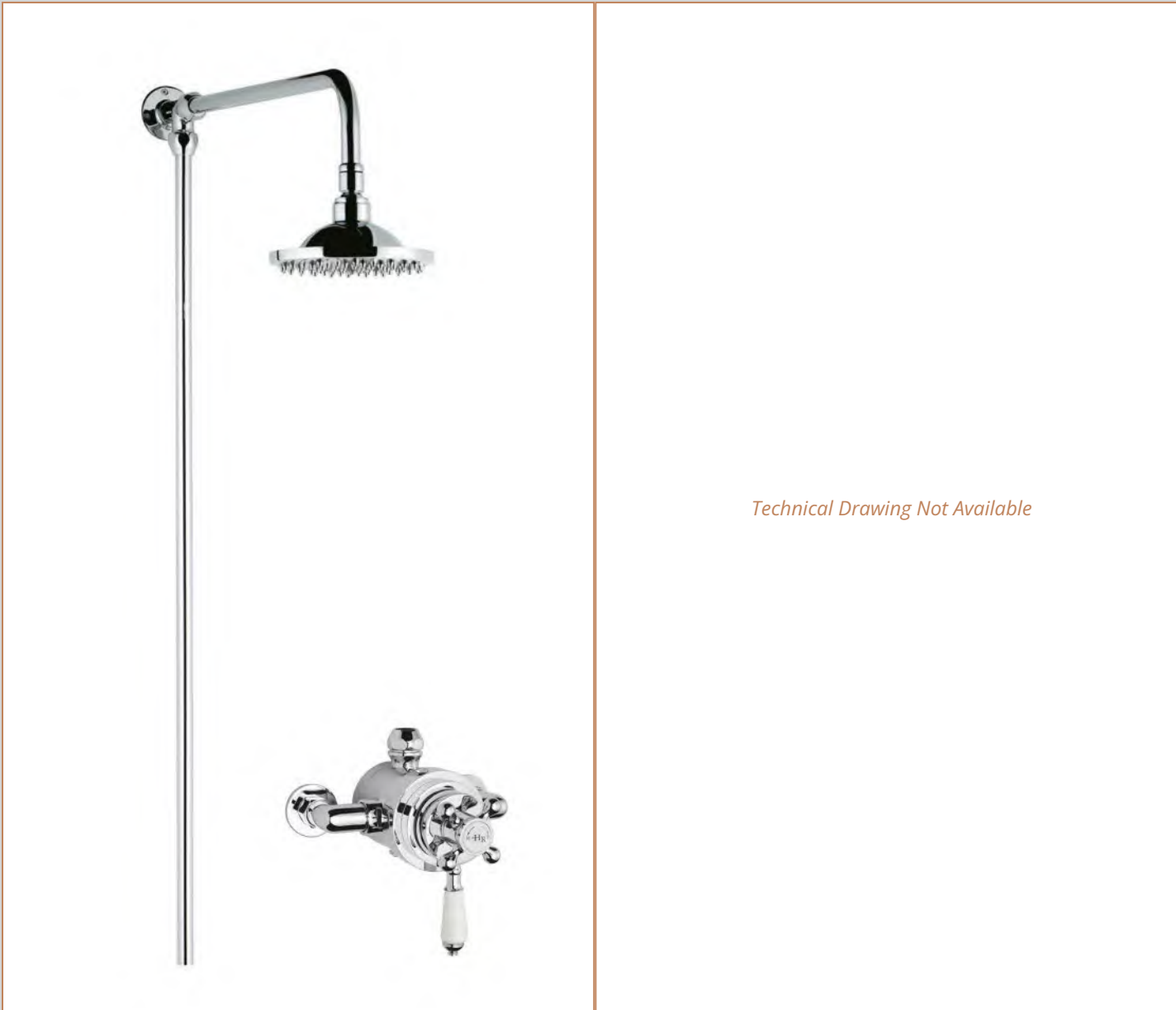


**Sales Code:** SBT132DU1

**Barcode:** 5056462611020

**Brand:** nuie

**Description:** nuie Traditional Dual Exposed Valve Rigid Riser Shower Kit



*Technical Drawing Not Available*

### Product Dimensions

Product	1085 x 150 x 565mm (H x W x D)
Nett Weight	0.1 kg
Packaged Weight	0.1 kg

### Product Details

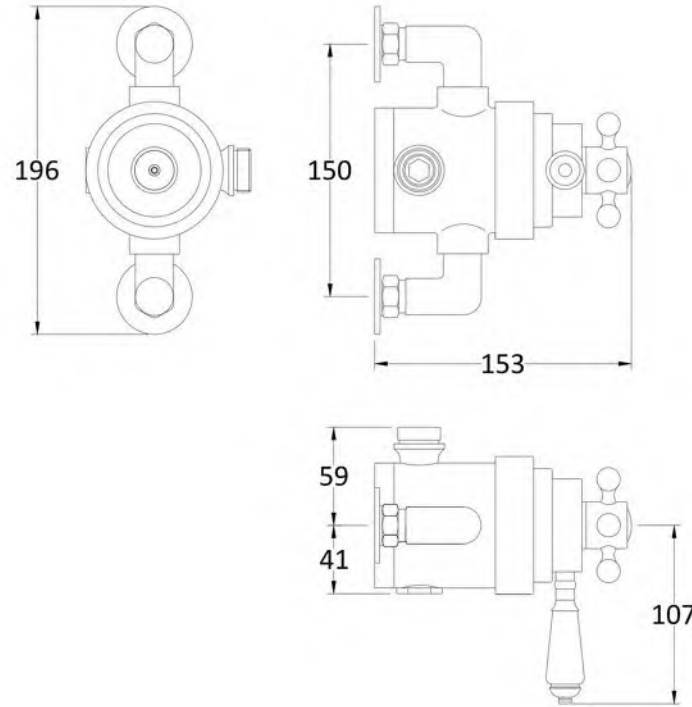
Country of Origin	China
Product Material	Brass Abs
Control Type	Manual
Valve/Cartridge Type	1/4 Turn
Colour/Finish	Chrome
Style	Traditional
Min Operating Pressure	0.1 Bar
Minimum Operation Pressure	0 Bar
No. Of Body Jets	0.0000
Valve / Cartridge Type	1/4 Turn

**Sales Code:** TSVT104

**Barcode:** 5056211804192

**Brand:** Hudson Reed

**Description:** Hudson Reed Topaz Chrome Exposed Dual Shower Valve



### Product Dimensions

Product	166 x 196 x 153mm (H x W x D)
Packaged	185 x 240 x 240mm (H x W x D)
Nett Weight	3.2 kg
Packaged Weight	3.44 kg

### Packaging Details

Label Size (mm)	50 x 100
Label Colour	White
Label Qty	2.0000

### Product Details

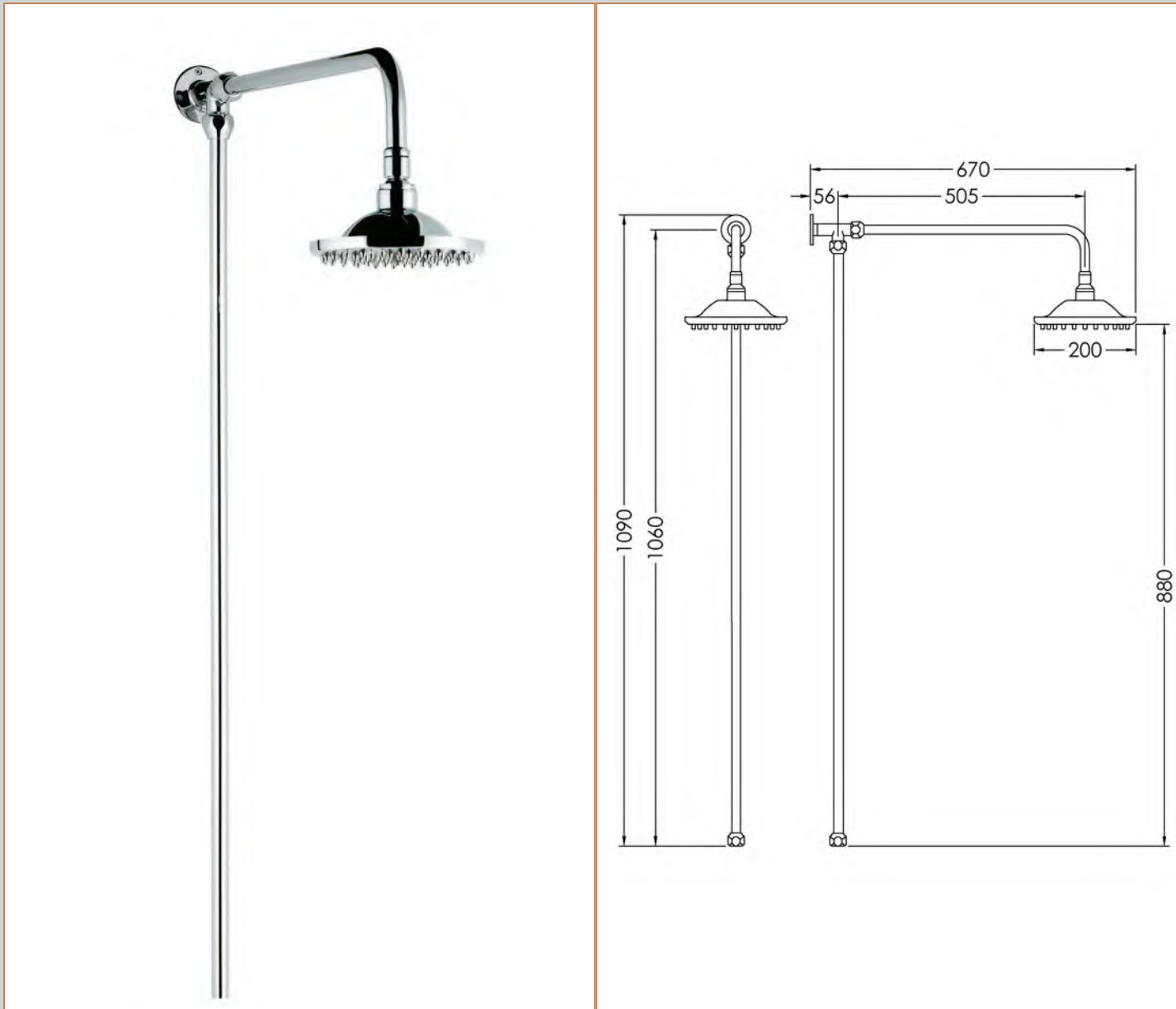
Country of Origin	United Kingdom
Product Material	Brass
Control Type	Manual
WRAS Approved	No
Colour/Finish	Chrome
Mount Type	Wall Hung
Style	Traditional
Handle Type	Lever
TMV2 Approved	No
TMV3 Approved	No
Pipe Centres	150
Handset Included	No
Head Included	No
Min Operating Pressure	0.1 Bar
Minimum Operation Pressure	0 Bar
No. Outlets	1.0000
Outlet Elbow Supplied	No

**Sales Code:** A3600

**Barcode:** 5055146101383

**Brand:** Hudson Reed

**Description:** Hudson Reed Chrome Rigid Riser Kit



### Product Dimensions

Product	1085 x 150 x 565mm (H x W x D)
Packaged	110 x 210 x 1020mm (H x W x D)
Outer Box	380 x 1035 x 450mm (H x W x D)
Nett Weight	2.44 kg
Packaged Weight	2.44 kg

### Packaging Details

Label Size (mm)	50 x 100
Label Colour	White
Label Qty	2.0000

### Product Details

Country of Origin	China
Product Material	Brass
Control Type	Not Applicable
WRAS Approved	No
Colour/Finish	Chrome
Mount Type	Surface/Wall
Style	Traditional
Easy Clean	No
TMV2 Approved	No
TMV3 Approved	No
Pipe Size	18 mm
Handset Included	No
Head Included	Yes
Hose Included	No
Min Operating Pressure	0.5 Bar
Minimum Operation Pressure	1 Bar
No. Outlets	1.0000
Outlet Elbow Supplied	No