

Sales Code: FUZRC013

Barcode: 5056678404225

Brand: nuie

Description: nuie Deco 479mm Floor Standing Cloakroom Suite



Technical Drawing Not Available

Product Dimensions

| | |
|-----------------|-------------------------------|
| Product | 814 x 479 x 342mm (H x W x D) |
| Nett Weight | 0.01 kg |
| Packaged Weight | 0.01 kg |

Product Details

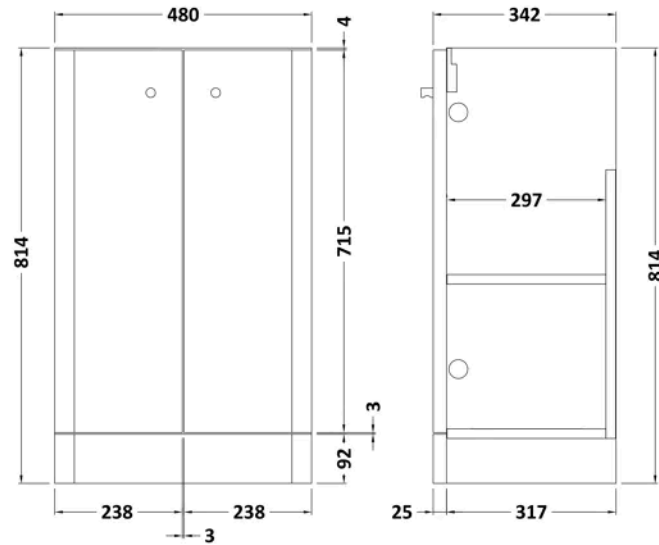
| | |
|----------------------------|--------------------------------------|
| Country of Origin | China |
| Product Material | Brass, Polypropylene, Vitreous China |
| Colour/Finish | Gloss White |
| Mount Type | Floor |
| Style | Contemporary |
| Handle Type | Knob |
| Fixings Included | Yes |
| Construction Method | Cam & Wood Dowel |
| Cistern Fittings | Pre-Fitted 6/3L |
| Cistern Lever Type | Plastic Chrome Plated |
| Construction Type | Rigid |
| Flush Operating Type | Push Button |
| Handles Included | Yes |
| Includes Seat | Yes |
| Inner Bowl Depth | 86 mm |
| Material Thickness | 16 mm |
| Min Operating Pressure | 0.2 Bar |
| Minimum Operation Pressure | 0 Bar |
| No. Doors | 2 |
| No. Of Tapholes | 1 |
| No. Shelves | 2 |
| Number Of Shelves | 2 |
| Overflow Cover Included | Yes |
| Overflow Included | Yes |
| Pan Trap Style | P-Trap |
| Tap Included | Yes |
| Template | Not Required |
| Toilet Seat Function | Soft Close |
| Toilet Seat Hinge Type | Top Fix |
| Toilet Seat Type | Round |
| Waste Included | Yes |
| Waste Shape | Round |

Sales Code: RC0103

Barcode: 5056211853343

Brand: nuie

Description: nuie core 500mm Gloss White 2-Door Floor Standing Vanity Unit



Product Dimensions

| | |
|-----------------|-------------------------------|
| Product | 814 x 479 x 342mm (H x W x D) |
| Packaged | 835 x 500 x 340mm (H x W x D) |
| Nett Weight | 17.5 kg |
| Packaged Weight | 18 kg |

Product Details

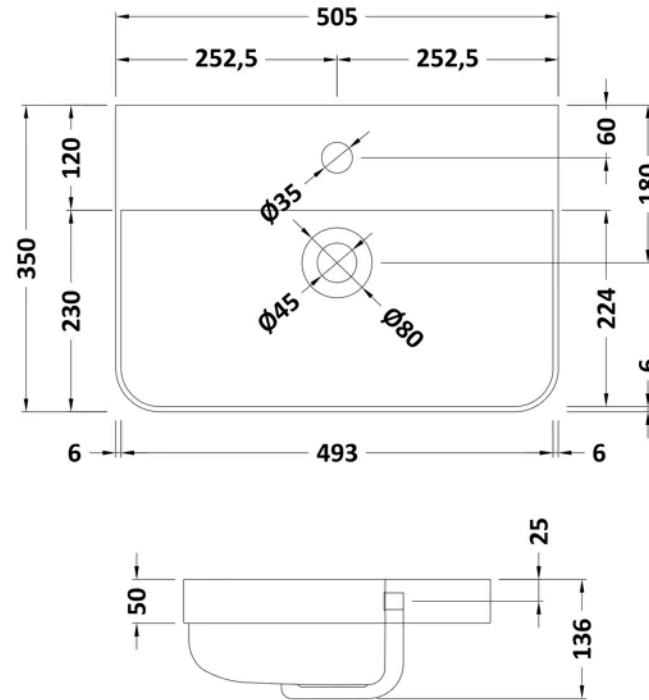
| | |
|-------------------|-------------------|
| Country of Origin | China |
| Product Material | Mdf Painted Gloss |
| Colour/Finish | Gloss White |

Sales Code: RC003

Barcode: 5056211853398

Brand: nuie

Description: nuie core 1 Tap Hole 500mm Ceramic Thin Edge Basin



Product Dimensions

| | |
|-----------------|-------------------------------|
| Product | 135 x 505 x 355mm (H x W x D) |
| Packaged | 415 x 540 x 210mm (H x W x D) |
| Nett Weight | 10 kg |
| Packaged Weight | 10.5 kg |

Product Details

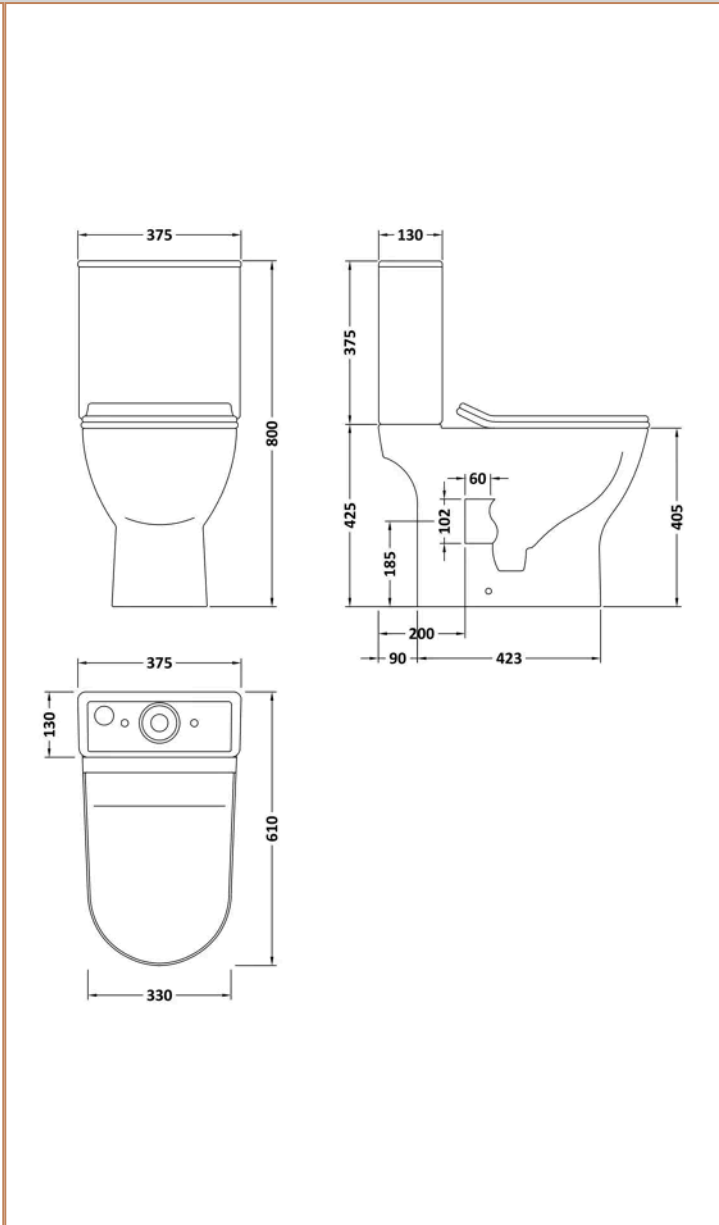
| | |
|-------------------|----------------|
| Country of Origin | China |
| Product Material | Vitreous China |
| Colour/Finish | White |
| Ce Certified | Yes |
| Inner Bowl Height | 86 mm |
| No. Of Tapholes | 1 |
| Number Of Bowls | 1 |

Sales Code: NCG350

Barcode: 5056211868255

Brand: nuie

Description: nuie Freya Close Coupled Toilet



Product Dimensions

| | |
|-----------------|-------------------------------|
| Product | 800 x 375 x 610mm (H x W x D) |
| Packaged | 435 x 770 x 420mm (H x W x D) |
| Nett Weight | 33 kg |
| Packaged Weight | 34 kg |

Product Details

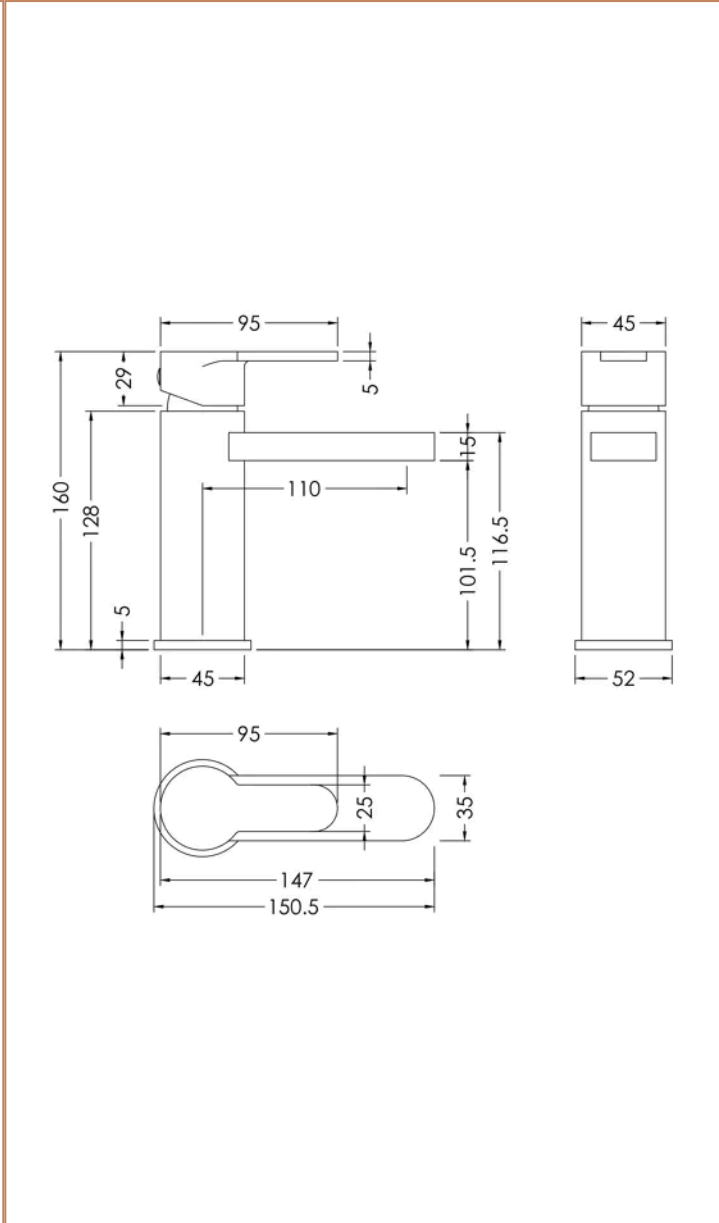
| | |
|-------------------|------------------|
| Country of Origin | China |
| Product Material | Vitreous China |
| Colour/Finish | White |
| Style | Contemporary |
| Ce Certified | Yes |
| Includes Seat | Yes |
| Pan Type | Short Projection |

Sales Code: ARV305

Barcode: 5056211898474

Brand: nuie

Description: nuie Arvan Chrome Mono Basin Mixer With Push Button Waste



Product Dimensions

| | |
|-----------------|-------------------------------|
| Product | 160 x 52 x 147mm (H x W x D) |
| Packaged | 95 x 225 x 275mm (H x W x D) |
| Outer Box | 500 x 500 x 300mm (H x W x D) |
| Nett Weight | 1.75 kg |
| Packaged Weight | 1.75 kg |

Packaging Details

| | |
|-----------------|----------|
| Label Size (mm) | 50 x 100 |
| Label Colour | White |
| Label Qty | 1.0000 |

Product Details

| | |
|----------------------------|------------------------|
| Country of Origin | China |
| Product Material | Brass, Plastic |
| Control Type | Manual |
| Waste Type | Push Button |
| WRAS Approved | Yes |
| Valve/Cartridge Type | Single Lever Cartridge |
| Colour/Finish | Chrome |
| Mount Type | Deck |
| Style | Contemporary |
| Handle Type | Lever/Round |
| TMV2 Approved | No |
| TMV3 Approved | No |
| Pipe Size | 1/2" |
| Min Operating Pressure | 0.2 Bar |
| Minimum Operation Pressure | 0 Bar |
| Tap Spout Height | 102 mm |
| Tap Spout Projection | 110 mm |
| Tap Tails Included | Yes |
| Valve / Cartridge Type | Single Lever Cartridge |
| Waste Included | Yes |
| Wras Approval No | 2204060 |